



ADVANCE MATERIAL SOLUTIONS

AMS INTRODUCTION



Who are AMS?

Pioneer company which bring advanced material solutions for Vietnam and ASEAN market.

We want everything becomes better, from quality of products & services to quality of projects.



WHAT WE DO?

Fence, gates and access control system:

- ✓ Custom Design Study
- ✓ RnD Products
- ✓ Give solution
- ✓ Manufacturing and Supply
- ✓ Maintenance and Installation



EVERYTHING BECOMES BETTER

WE TRUSTED BY

Supplied advance solutions of fences, gates and access control for many big projects:



EVERYTHING BECOMES BETTER

WE TRUSTED BY

Main supplier of fences and gates for



MAIN PRODUCTS

- ◆ Fences, Gates and Access Control of **DIRICKX** made in FRANCE.
- ◆ Fences, Gates and Assembly Handrail of **STV MODULAR** made in VIETNAM.
- ◆ Safety Barrier of **A-SAFE** made in UK.



◆ FENCES

NORMAL FENCE



◆ FENCES



IN 10 YEARS, MAINTENANCE FEE FOR FENCE IS HIGHER THAN COST TO BUILD A NEW FENCE

Maintenance

- **EACH 2 YEARS** FOR GOOD FINISHING APPEARANCE PURPOSE
- **EACH 5 YEARS** FOR SURVIVE PURPOSE AT LEAST



◆ FENCES



**IF YOUR FENCE HAVE:
2M HEIGHT, 1000M LENGTH**

Repaint fee in market: 50,000 vnd/ m²/ one side

⇒ **Repaint fee for 1000 meter of fence with H2000:**

$50,000 * 2 \text{ (HEIGHT)} * 2 \text{ (SIDE)} = 200,000 \text{ vnd}$

Total fee = 200,000 * 1000(m) = 200,000,000 vnd

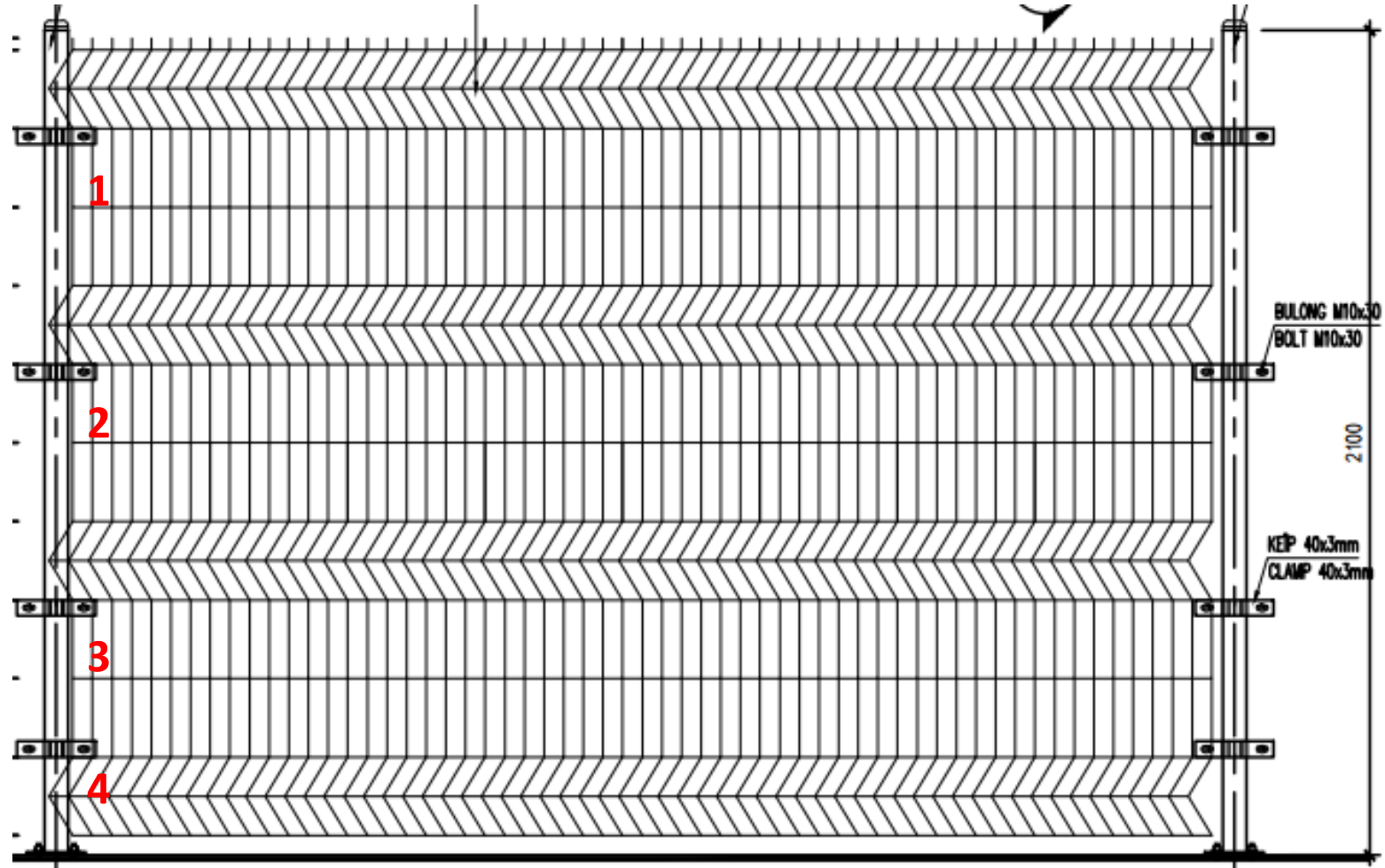


◆ FENCES



Steel fence with accessories

- Connect post and panel temporarily
- Easy to be removed by unscrew the accessories
- Rusted accessories also affect fence's quality



◆ FENCES



DIRICKX'S SOLUTION

- ✓ **Warranty 10 years.** Minimum maintenance cost (no repaint, no replacement) peace of mind at least 10 years.
- ✓ **Beautiful appearance** during operation with special finishing polyester coated



◆ FENCES

DIRICKX

DIRICKX'S SOLUTION



10 YEARS
POLYESTER

DIRICKX
GUARANTEE
ANTI-CORROSION

- The POLYESTER finish offers outstanding resistance to UV and adverse weather conditions and provides a very attractive gloss finish.
- Relevant areas according to standard ISO 12944-2: C1 (very low), C2 (low), C3 (medium).
- Products installed in C4 (high), C5 (high) and C5 (very high) areas are not covered.

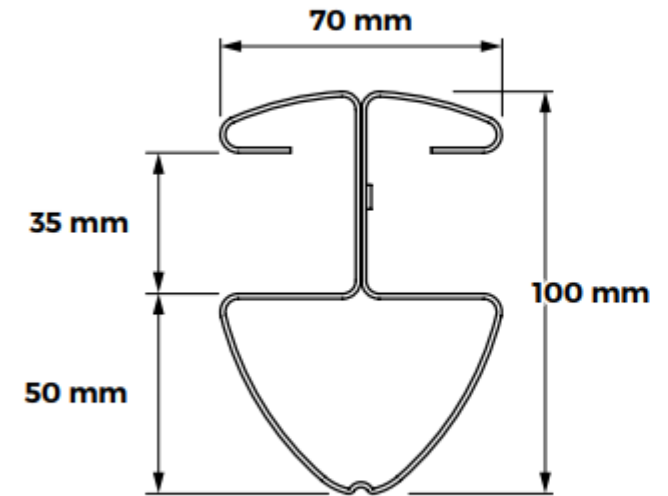
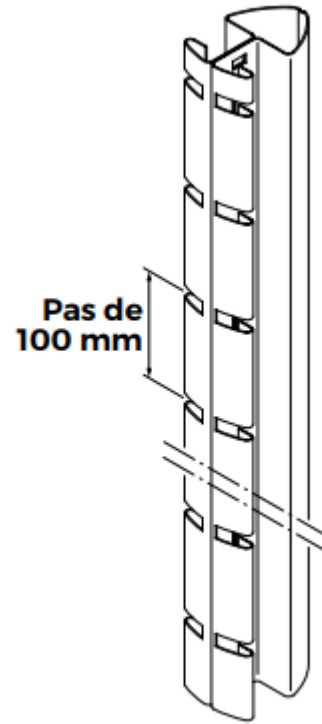
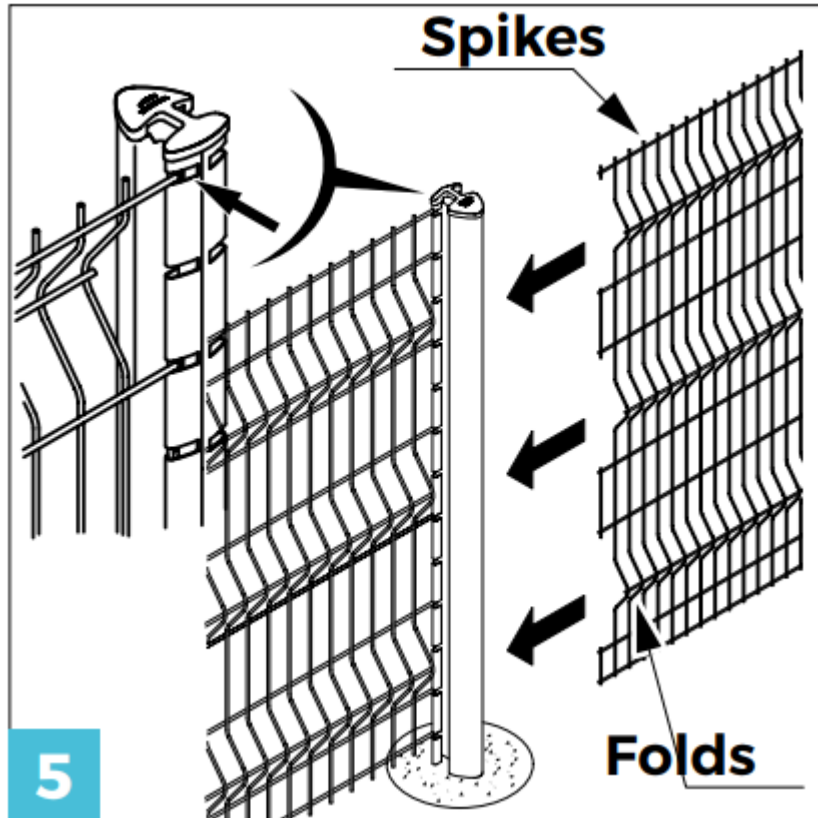


EVERYTHING BECOMES BETTER

◆ FENCES



No need accessories to install the fence



◆ FENCES

**NORMAL FENCE WITH
WELDING**



DIRICKX'S SOLUTION



NON-WELDING



EVERYTHING BECOMES BETTER

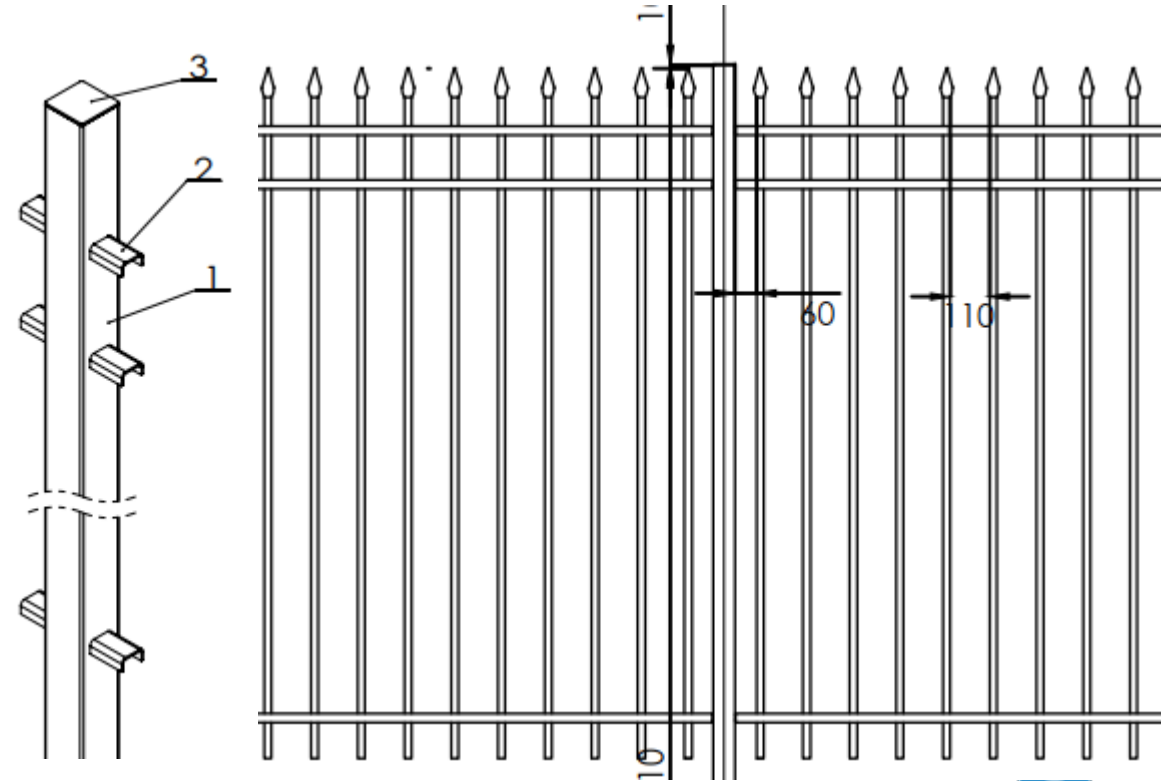
◆ FENCES



NORMAL FENCE WITH WELDING



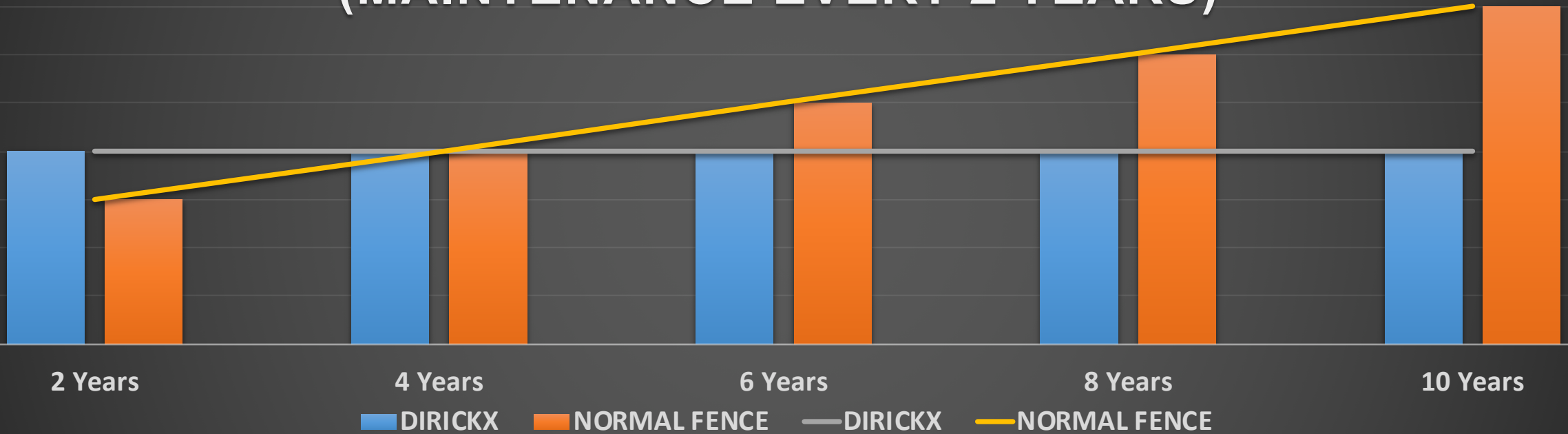
DIRICKX'S SOLUTION



NON-WELDING



INVESTMENT COST IN 10 YEARS DIRICKX **VS** NORMAL FENCE (MAINTENANCE EVERY 2 YEARS)



NOTE:
- "10 YEARS WARRANTY" IS POLICY OF DIRICKX. LIFE CIRCLE OF PRODUCTS CAN REACH 20 - 30 YEARS.
- MAINTENANCE COST OF NORMAL FENCE NOT INCLUDE SOME CASE WHICH HAVE TO REPLACE FENCE



◆ FENCES

WE ALSO HAVE

✓ New brand of fences in Vietnam



EVERYTHING BECOMES BETTER

◆ FENCES



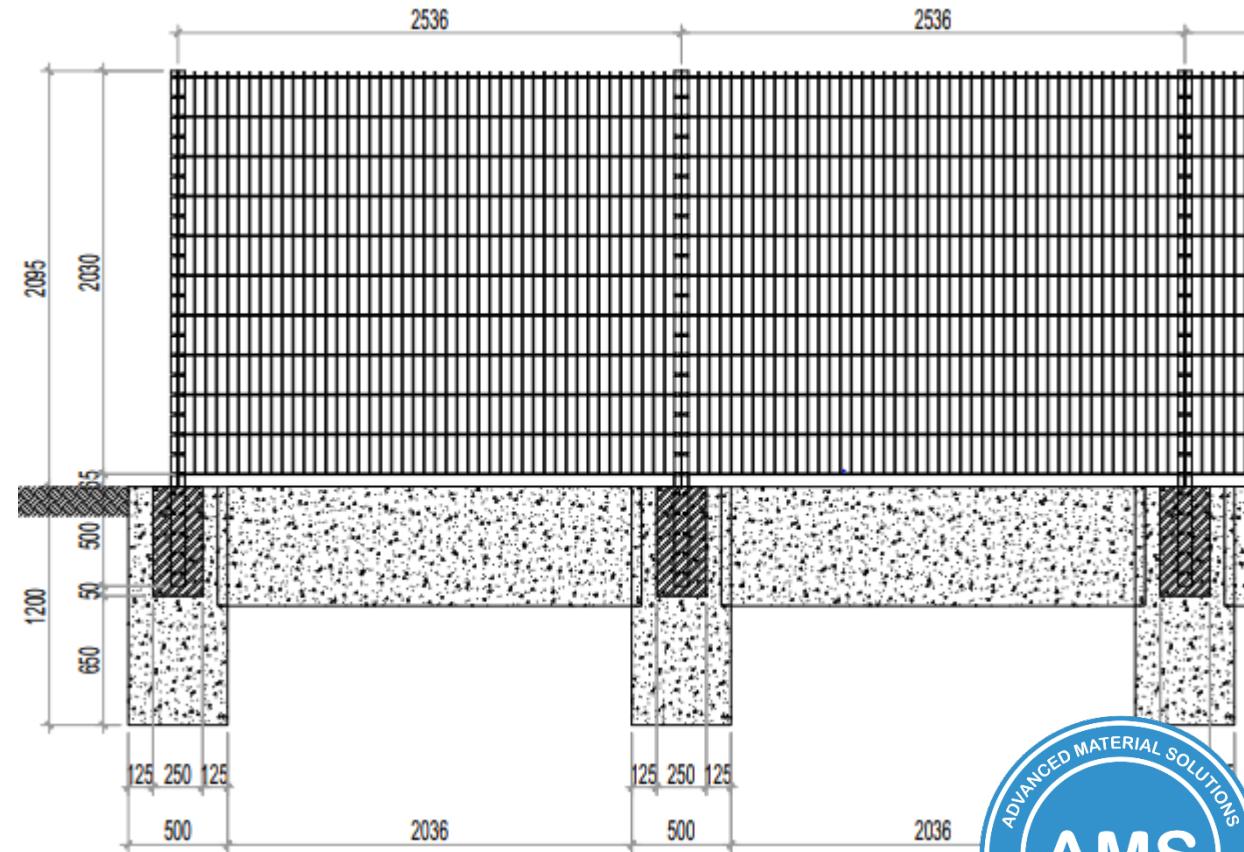
DIRICKX – FRANCE	STV - VIETNAM
Assembly Design – Not welding	Assembly Design – Not welding
Polyester Coating	Polyester Coating
Aesthetic	Aesthetic
Made in France	Made in Vietnam
10 years warranty anti-corrosion	3 years warranty anti-corrosion



◆ FENCES – PRECAST TIE BEAM

Precast tie beam and concrete foundation:

=> increase quality, reduce cost and installation time



◆ FENCES – PRECAST TIE BEAM

Precast tie beam and concrete foundation:

- Prefabricated by mold, modularization every single point

=> No need to worry about
wrong positioning at site

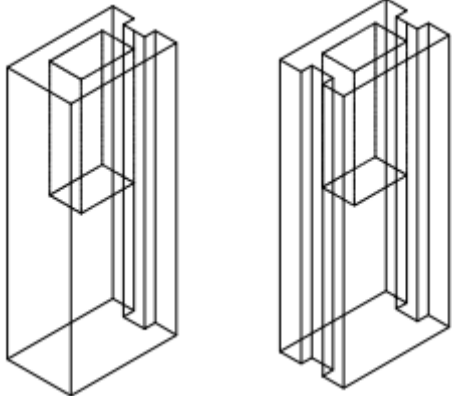


◆ FENCES – PRECAST TIE BEAM

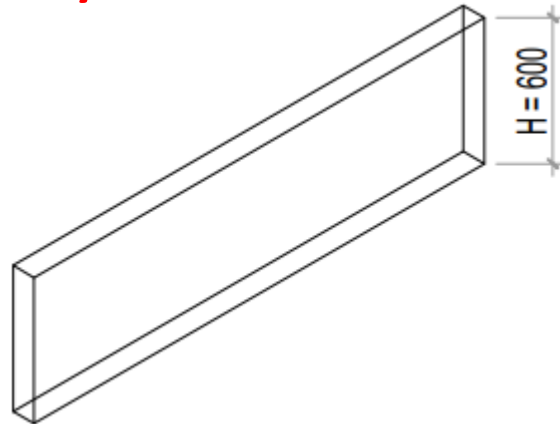
Precast tie beam and concrete foundation:

- Material by concrete, not by brick.

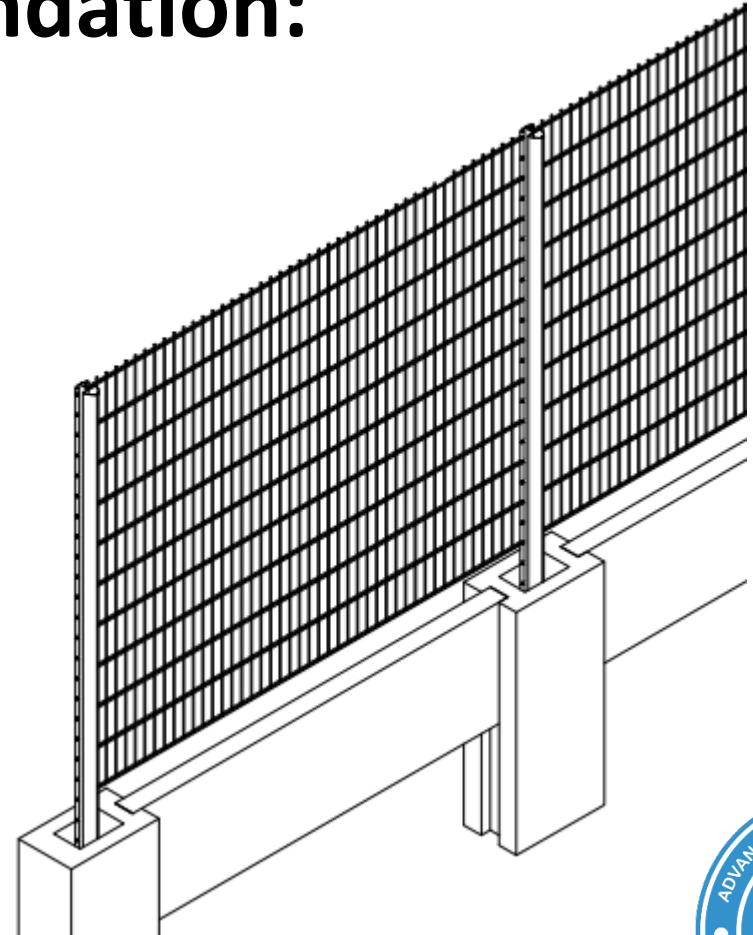
=> Stronger and durability



Concrete foundation



Light concrete tie beam



◆ FENCES – PRECAST TIE BEAM

Precast tie beam and concrete foundation:

=> Stronger and durability



◆ FENCES – PRECAST TIE BEAM

Precast tie beam and concrete foundation:

=> Quick installation, just assembled

=> Can reach 100 linear meters/ day / 3 people



◆ GATES



EVERYTHING BECOMES BETTER



◆ GATES

	STT	SITUATION	PROBLEMS	CONSEQUENT
SLIDING GATE	1	<ul style="list-style-type: none"> ❖ Uncontrol welding and normal painting without surface treatment ❖ GATE living enviroment is severe with sunshine, rain and UV, change temperature... 	<ul style="list-style-type: none"> ➤ Rusting after few years installing, Especially seaside products 	<ul style="list-style-type: none"> ➤ Bad affect to factory face ➤ Spend cost cost to repaint every 2 years ➤ Gate structure more and more weak due to rusting
	2	<ul style="list-style-type: none"> ❖ Railing structure weak ❖ 2 Rail structure 	<ul style="list-style-type: none"> ➤ Easy damage when ground changing by truck go through 	<ul style="list-style-type: none"> ➤ Gate can not move sometime ➤ Motor easy break due to overload operate when rail not smooth ➤ A lot of maintenance cost
	3	<ul style="list-style-type: none"> ❖ No safety and accident detect system 	<ul style="list-style-type: none"> ➤ Can not reduce accident risk for user ➤ Easy have accident with truck car 	<ul style="list-style-type: none"> ➤ Dangerous for user ➤ Gate break due to accident need to repair or change new one => A lot of cost
	4	<ul style="list-style-type: none"> ❖ Weak structure, welding ❖ Rusting welding position 	<ul style="list-style-type: none"> ➤ Gate can be fall down ➤ Weak structure after long time 	<ul style="list-style-type: none"> ➤ Dangerous for user
	5	<ul style="list-style-type: none"> ❖ Low quality machine. 	<ul style="list-style-type: none"> ➤ Unstable operation 	<ul style="list-style-type: none"> ➤ Easy damage, need to repair often, change new one after short time use



DIRICKX'S SOLUTION



DIRICKX
GUARANTEE
ANTI-CORROSION
10 YEARS
POLYESTER

- The POLYESTER finish offers outstanding resistance to UV and adverse weather conditions and provides a very attractive gloss finish.
- Relevant areas according to standard ISO 12944-2: C1 (very low), C2 (low), C3 (medium).
- Products installed in C4 (high), C5 (high) and C5 (very high) areas are not covered.

◆ GATES

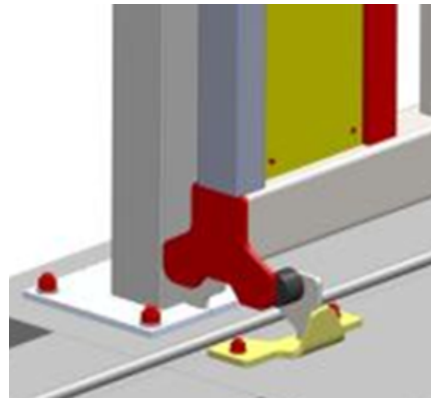
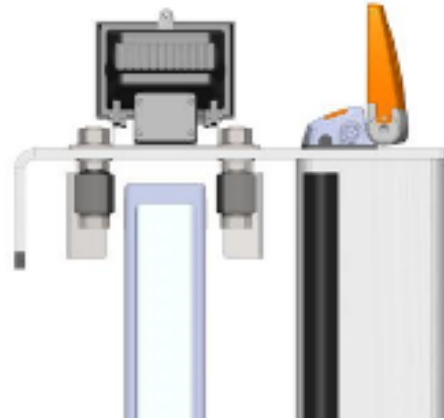
✓ **Strong wheels and hardwares**



EVERYTHING BECOMES BETTER

◆ GATES

✓ Strong wheels and hardware

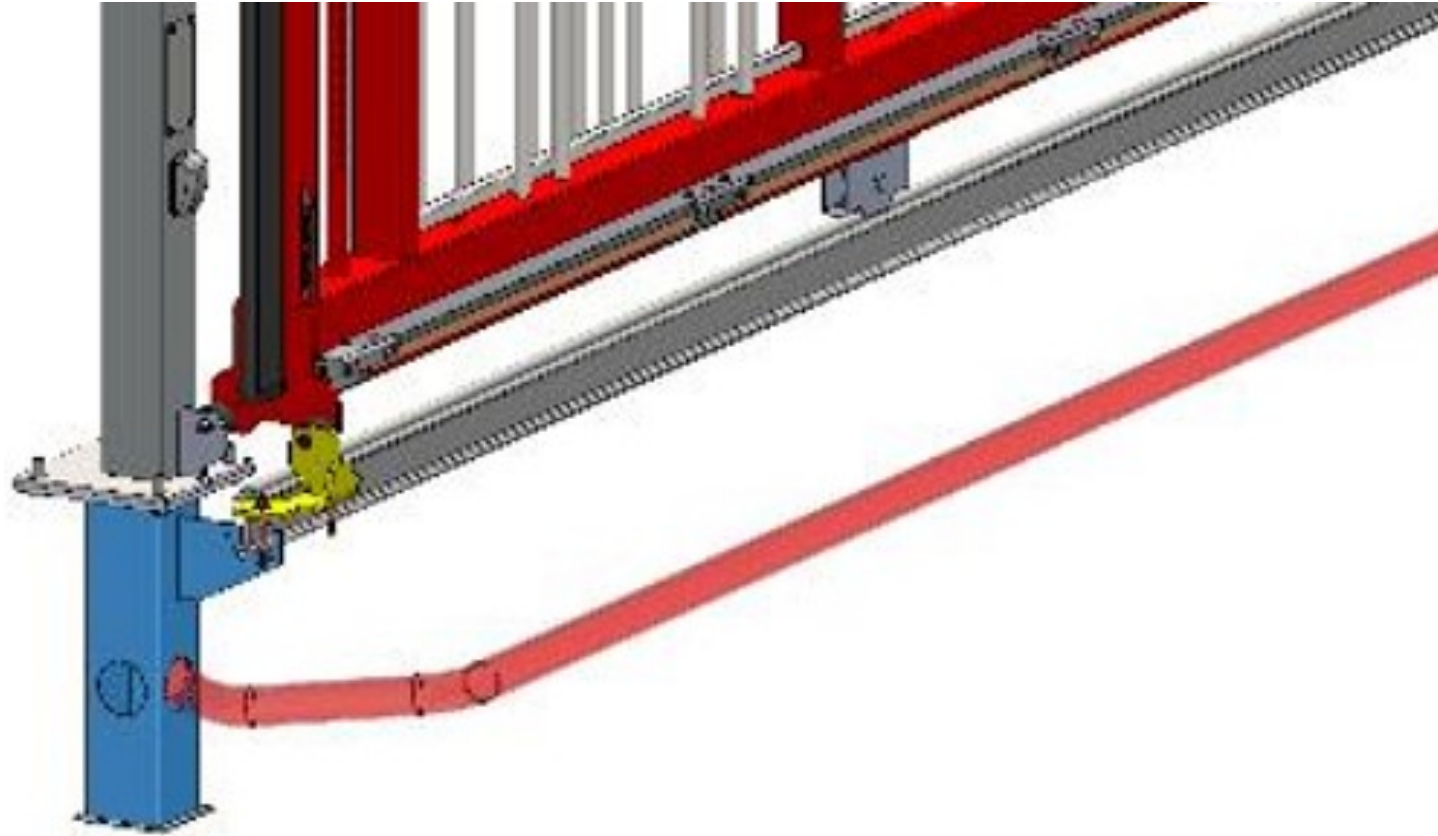


EVERYTHING BECOMES BETTER



◆ GATES

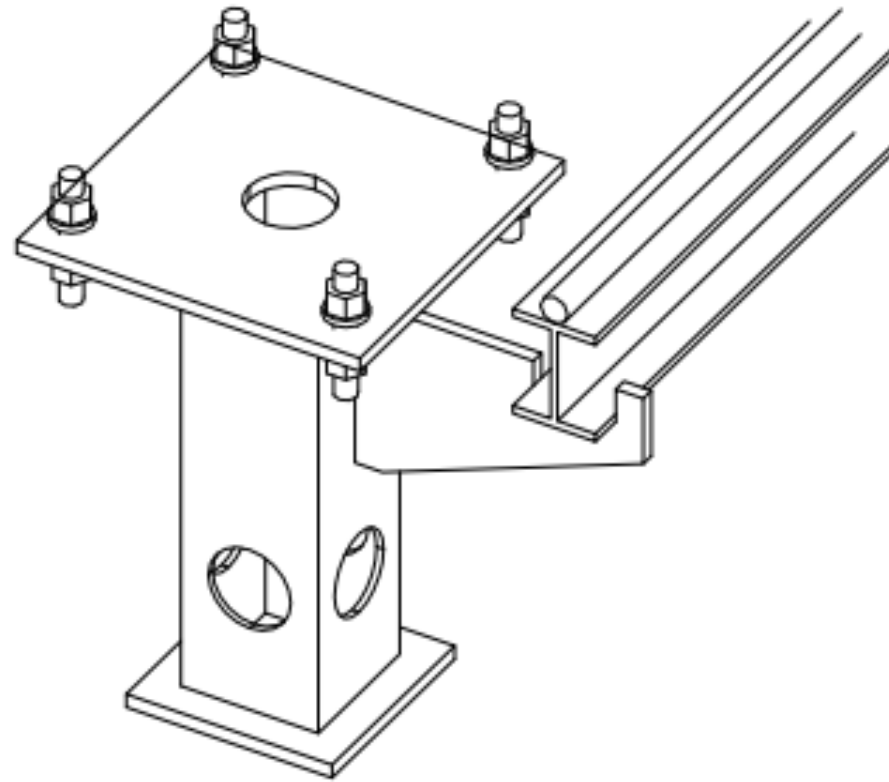
✓ Reinforced rails



EVERYTHING BECOMES BETTER

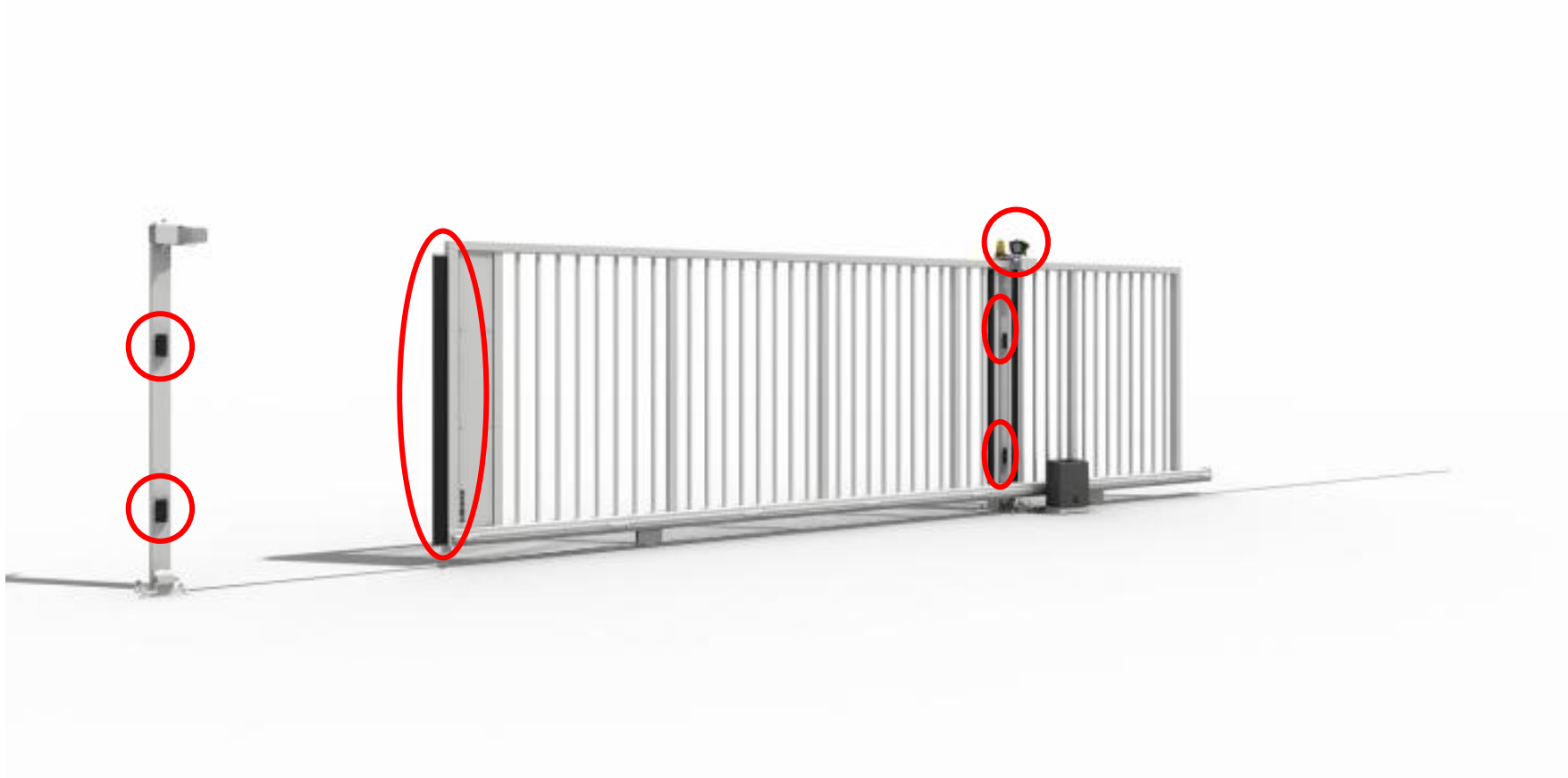
◆ GATES

✓ Reinforced rails



◆ GATES

✓ Safety Sensors



◆ GATES



EVERYTHING BECOMES BETTER



◆ GATE



DIRICKX – FRANCE	STV - VIETNAM
Polyester Coating 10 years anti corrosion	PPG painting 5 years anti corrosion
Strong hardware and structure	Strong hardware and structure
Reinforced rail	Reinforced rail
Full option of safety sensors	“Hold to run” option for safety
Made in France	Made in Vietnam
Can adapt gate up to 100 linear meters	Limited 12 meters of gate



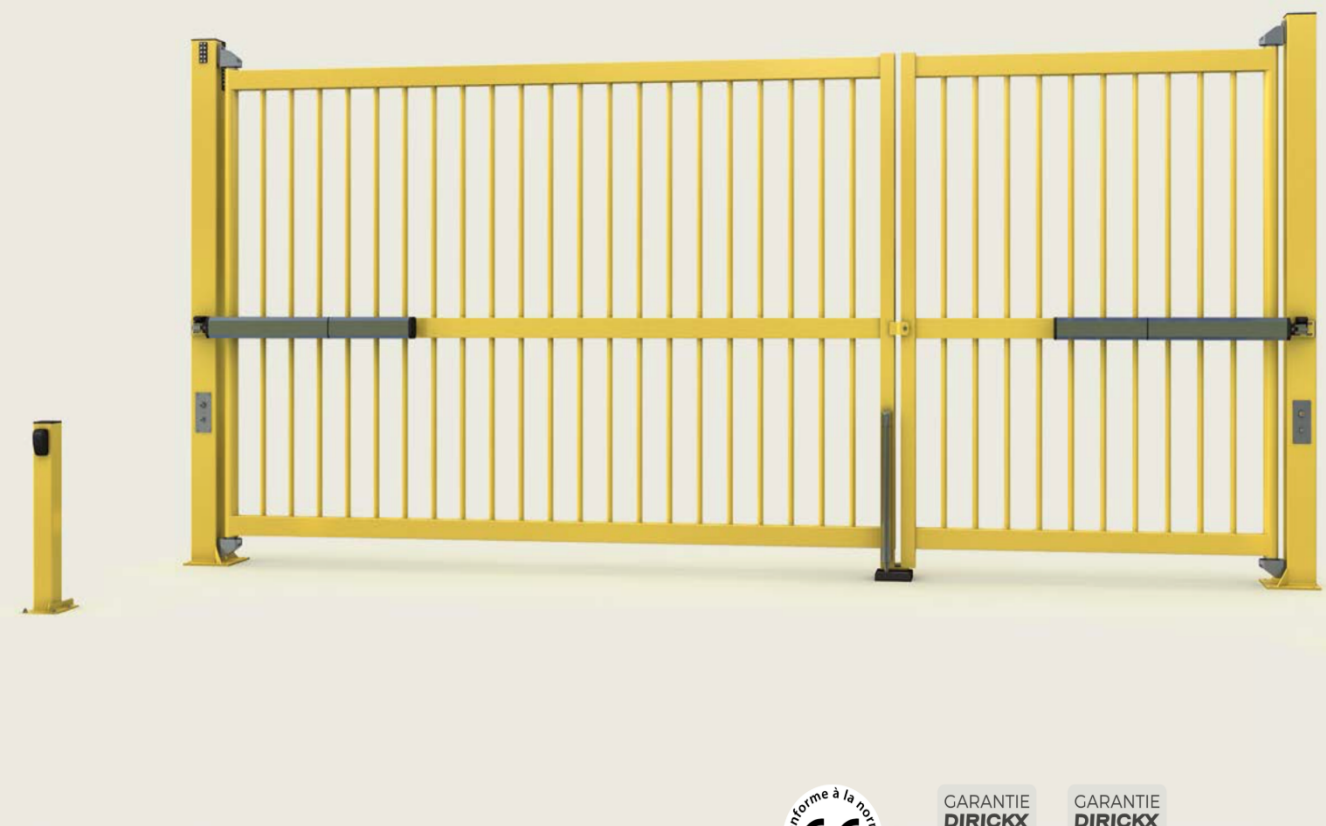
◆ GATE



EVERYTHING BECOMES BETTER



◆ Gates, Fences and Access Control



GARANTIE
DIRICKX
ANTI-CORROSION
10 ANS
POLYESTER

GARANTIE
DIRICKX
ANTI-CORROSION
PROTECT +

ALLIX – Motorised Double Swing Gate

ALLIX – Manual Double Swing Gate



EVERYTHING BECOMES BETTER

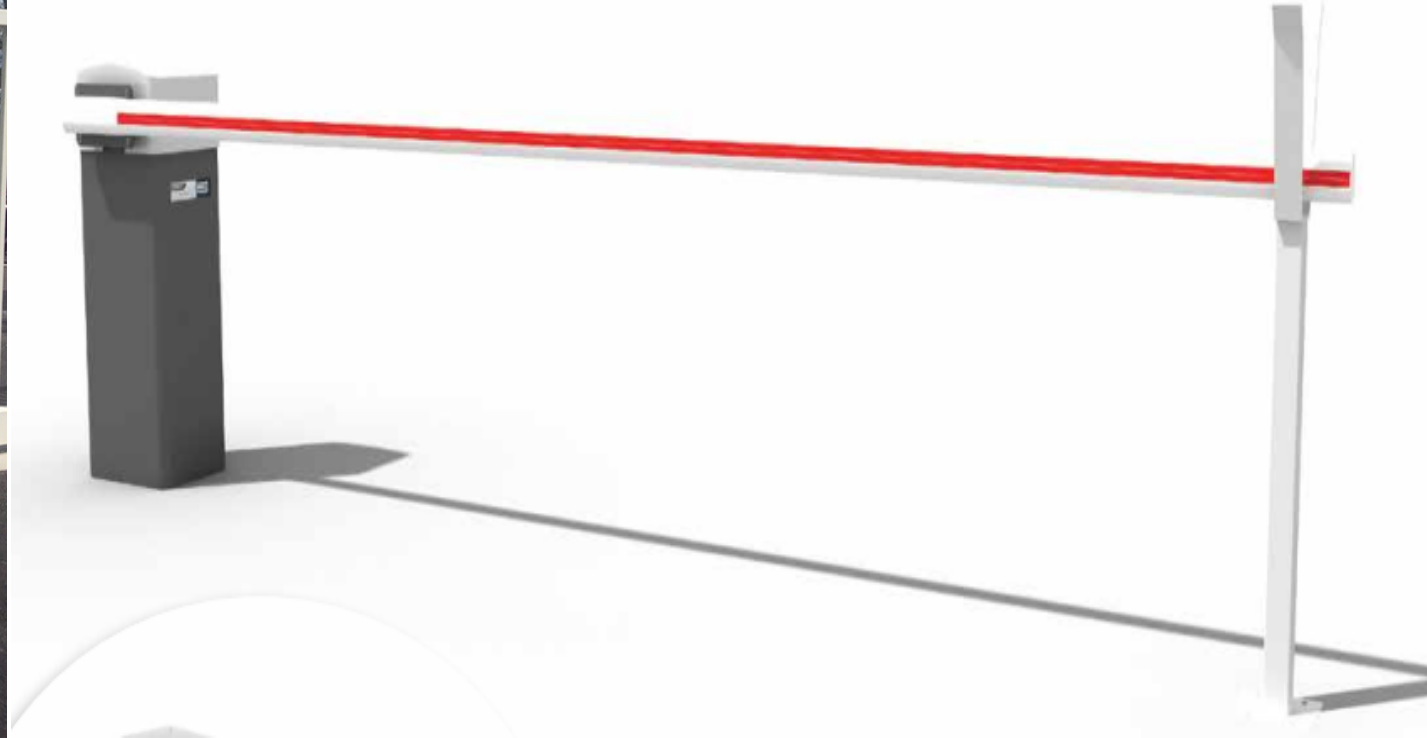
◆ Gates, Fences and Access Control



 5 million cycles between failures



Double Turnstile



BLX6 – Boom Barrier



EVERYTHING BECOMES BETTER

◆ Assembly Handrail of **STV**'



◆ Assembly Handrail of **STV**'



PLAYING THE EASY ASSEMBLE
GAME

Easy install, same quality, safety using

EVERYTHING BECOMES BETTER



Specialty with products of **STV'**



- ✓ **Assembly installation** with only screw. No welding, cutting, painting at site. Short time for project schedule.
- ✓ **Same quality** of project for installation, not depend on welded-person.
- ✓ **Long Life cycle** for using. No damaged by corrosion, broken pipes with welded points.



◆ Safety Barrier of **A-SAFE**



Single Traffic Barriers +

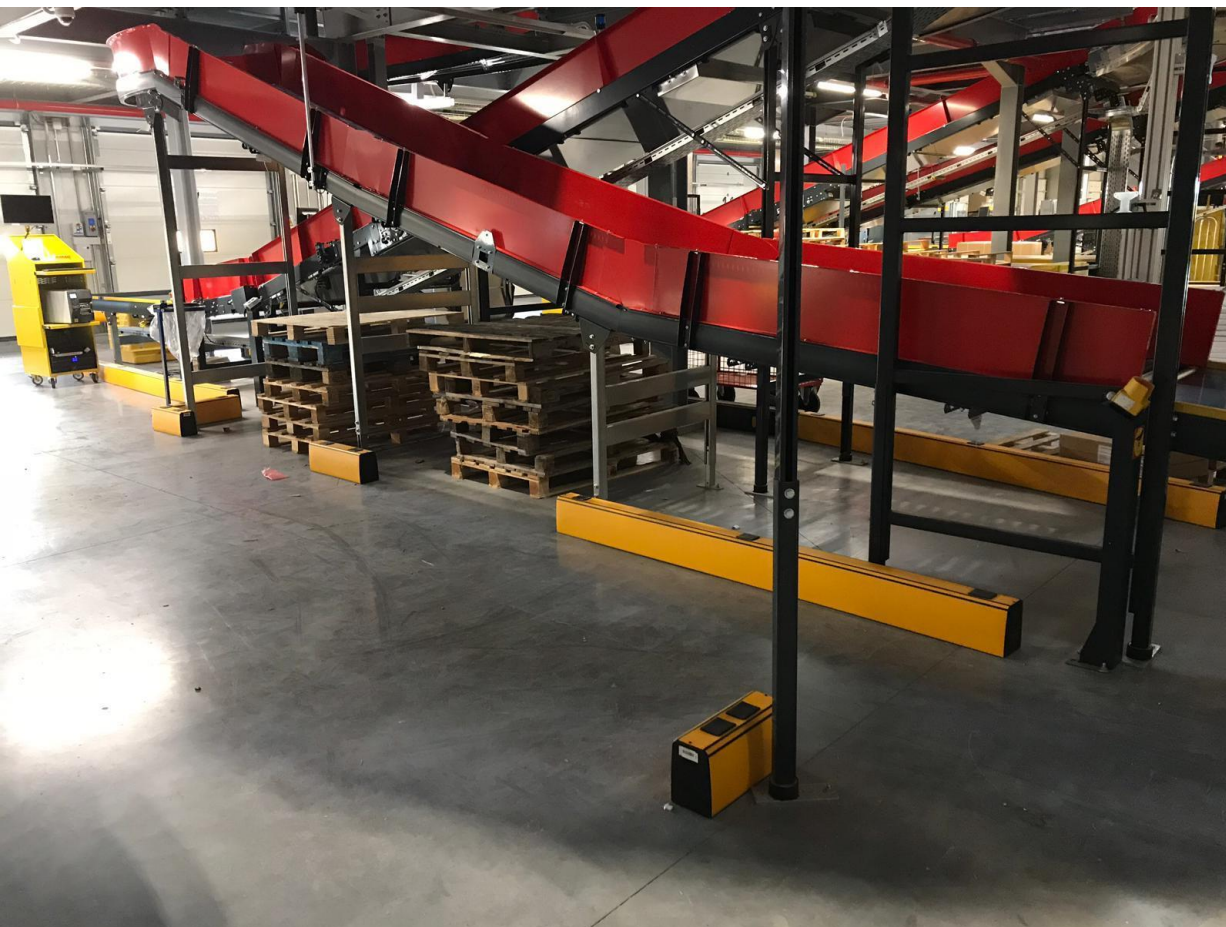


FolkGuard

EVERYTHING BECOMES BETTER



◆ Safety Barrier of **A-SAFE**



FolkGuard

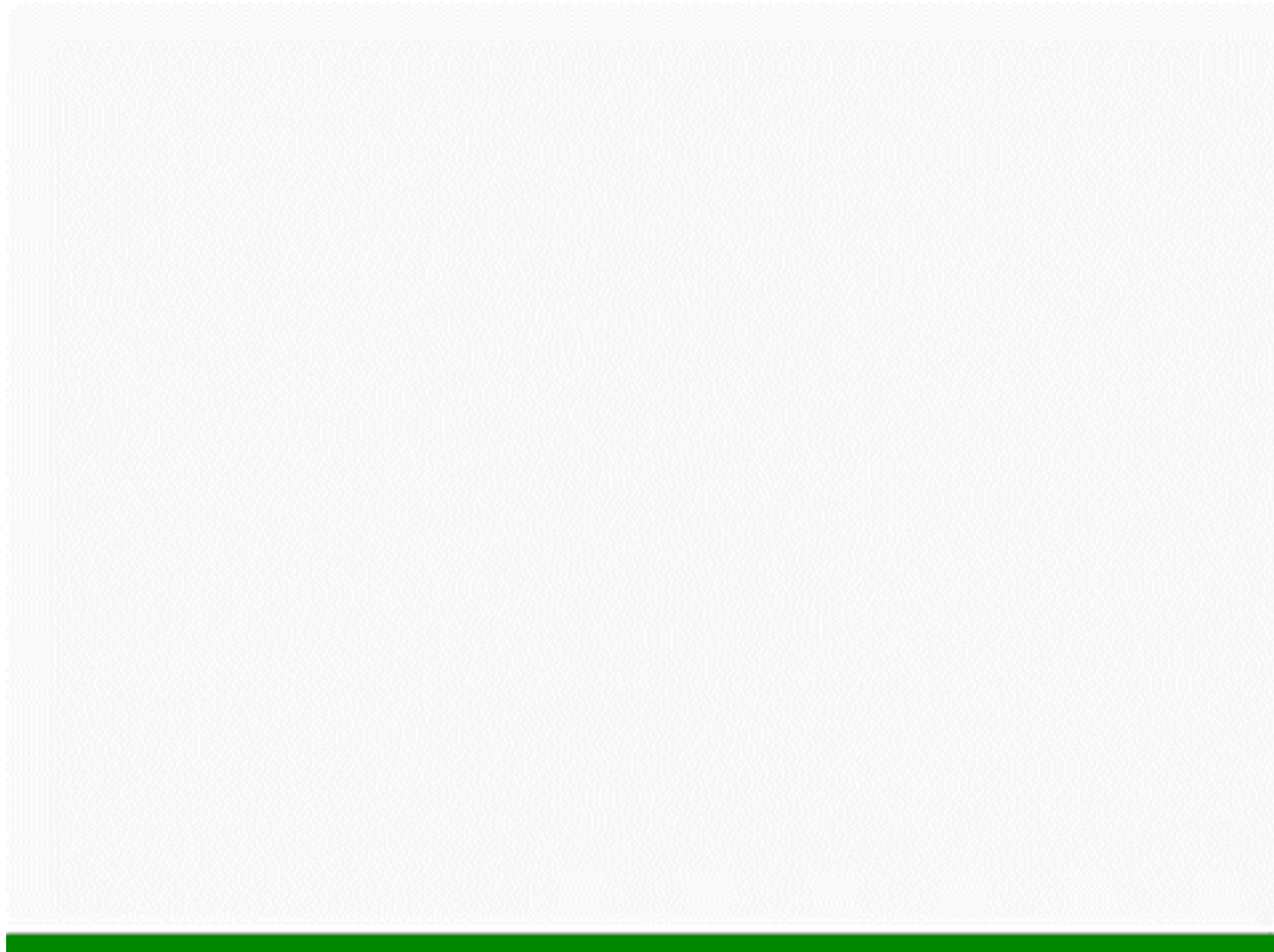


Bollards

EVERYTHING BECOMES BETTER



◆ Safety Barrier of **A-SAFE**



EVERYTHING BECOMES BETTER

Specialty with products of **A-SAFE**



- ✓ Advanced Material: special polymer. **80% impact force is absorbed** and transfer to zero.
- ✓ No corrosion, no re-painting, no chemical, no floor damage.
- ✓ Prevent risky of accident **Save lots of money in case risky happen.**
- ✓ Compliant to **PAS13** (safety regulation), food regulations. Especially can work well under - **40** (°C) temperature condition.



✓ Valued Clients and Partners



EVERYTHING BECOMES BETTER

✓ Reference Projects

Project: Hunter Douglas Indochina.

Owner: Hunter Douglas.

Address: Song Than 3 IP, Binh Duong Province.

Main-Contractor: Lê Gia Phúc Construction.

Product: Xylion R.

Status: Finished in April 2018.



EVERYTHING BECOMES BETTER



✓ Reference Projects



HUNTER DOUGLAS INDOCHINA

EVERYTHING BECOMES BETTER



✓ Reference Projects



Project: Heineken Factory of Danang.

Owner: Heineken Vietnam.

Main-Contractor: Dinco Engineering & Construction.

Product: Double Sliding Gate, Axis Fence.

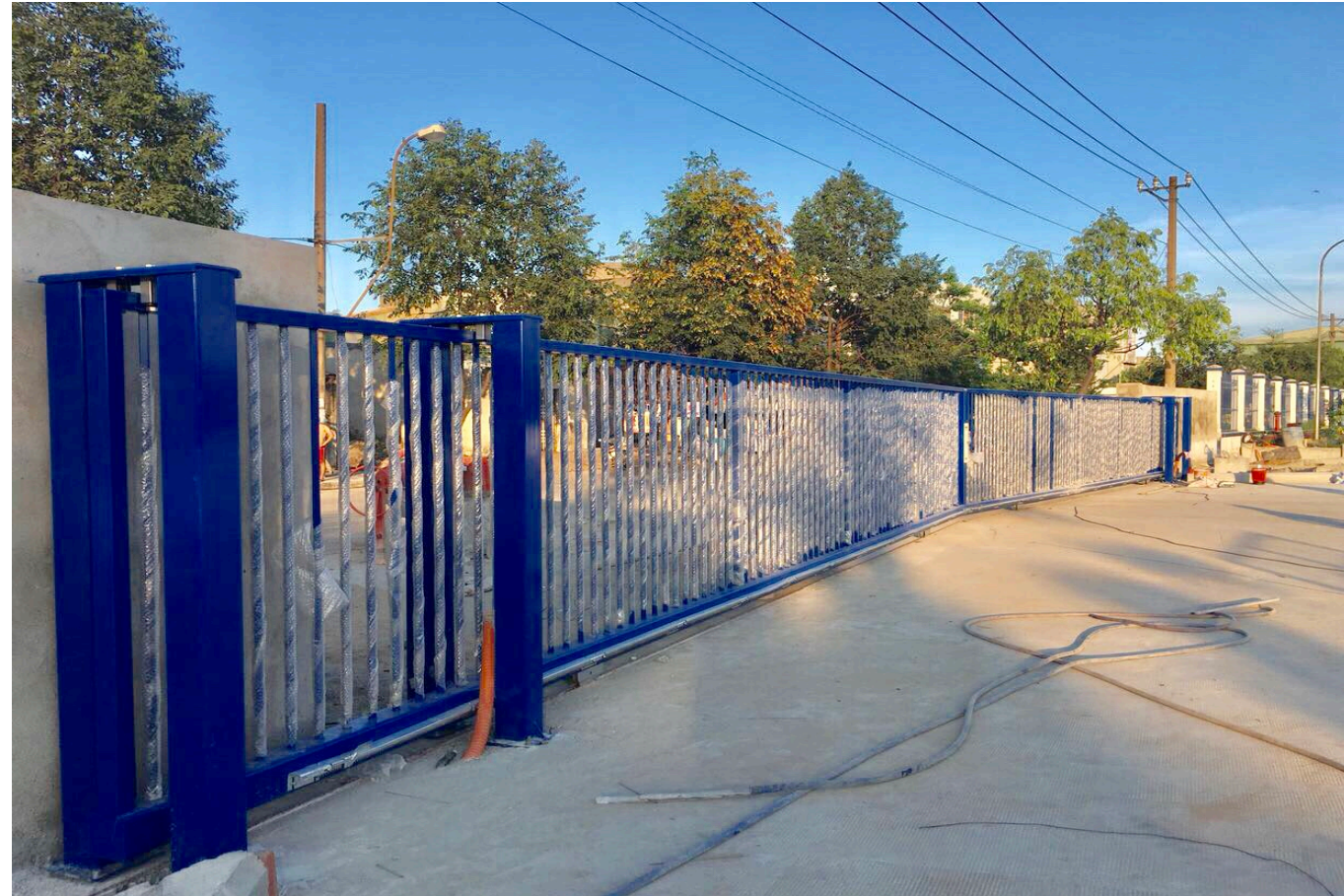
Status: Finished in September, 2018.



EVERYTHING BECOMES BETTER



✓ Reference Projects



HEINEKEN DANANG FACTORY

EVERYTHING BECOMES BETTER



✓ Reference Projects

Project: Acecook Head Office.
Owner: Acecook Vietnam.
Main-Contractor: Maeda Corporation Vietnam.
Address: Tan Binh IP, HCMC.
Product: Railing and Axis Fence, Swing Gate.
Status: Finished in September, 2018.



EVERYTHING BECOMES BETTER



✓ Reference Projects



ACECOOK VIETNAM

EVERYTHING BECOMES BETTER



✓ Reference Projects



Project: NIPRO Pharma.

Owner: Nipro Vietnam.

Main-Contractor: Fujita Corporation.

Address: High Tech Park, District 9, HCMC.

Product: Axis Fence.

Status: Finished in October, 2018.

EVERYTHING BECOMES BETTER



✓ Reference Projects



NIPRO VIETNAM FACTORY

EVERYTHING BECOMES BETTER



✓ Reference Projects



Project: MASAN HA NAM.

Owner: Masan Nutri-Science JSC.

Main-Contractor: Khang Hy Construction.

Address: Dong Van IV IP, Ha Nam Province

Product: Motorized Gates.

Status: Finished in 2019.

✓ Reference Projects



MASAN HA NAM FACTORY

EVERYTHING BECOMES BETTER



✓ Reference Projects



Project: FM LOGISTICS.

Owner: NG Concept.

Main-Contractor: Tuan Le Construction.

Address: VSIP, Bac Ninh Province

Product: Fence, Gate and Access Control System.

Status: Finished in 2020.

✓ Reference Projects



FM LOGISTICS BAC NINH

EVERYTHING BECOMES BETTER



✓ Reference Projects



Project: HOIANA SHORES GOLF CLUB.

Main-Contractor: Coteccons.

Address: HOIANA RESORT, DA NANG PROVINCE

Product: Motorized Gates.

Status: In process



Everything becomes better



AMS CONSTRUCTION COMPANY LIMITED

-  3rd Floor, Nam Giao Building,
261-263 Phan Xich Long Street,
Ward 02, Phu Nhuan District, HCM, Vietnam.
-  Tel : (+84) 28 3517 8279
-  Hotline: (+84) 786 760 760



Made in france



ASSEMBLY HANDRAIL



EVERYTHING BECOMES BETTER