



ADVANCE MATERIAL SOLUTIONS

AMS INTRODUCTION



◆ GATES

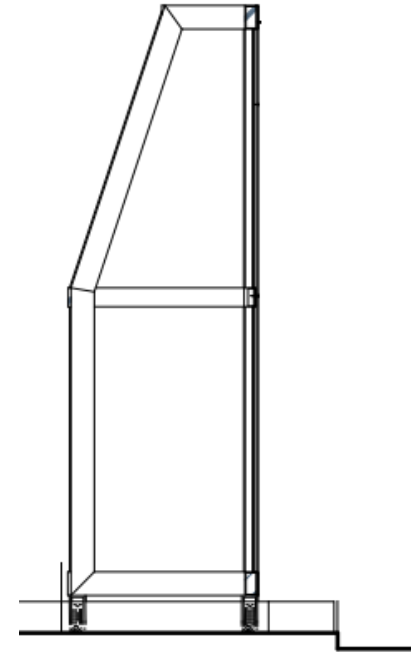
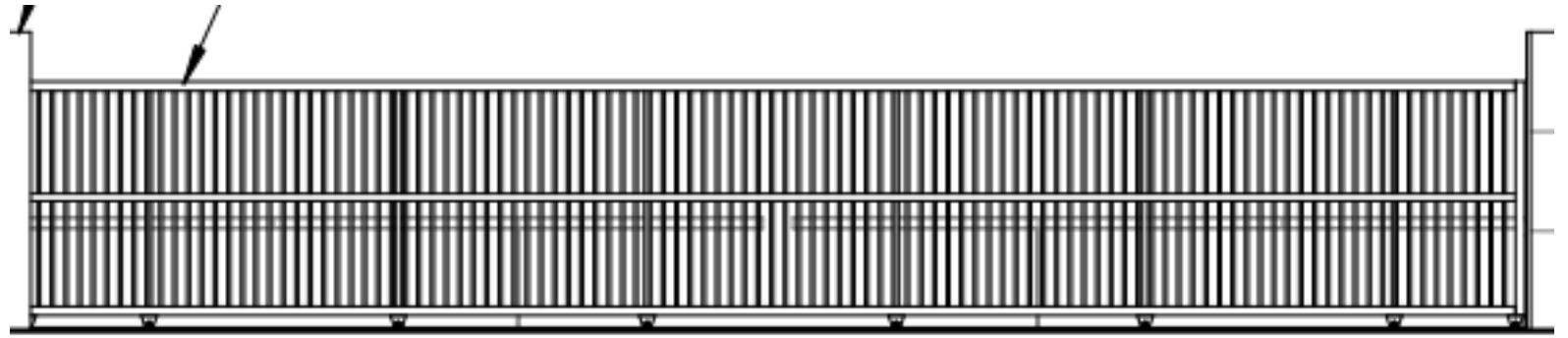


EVERYTHING BECOMES BETTER



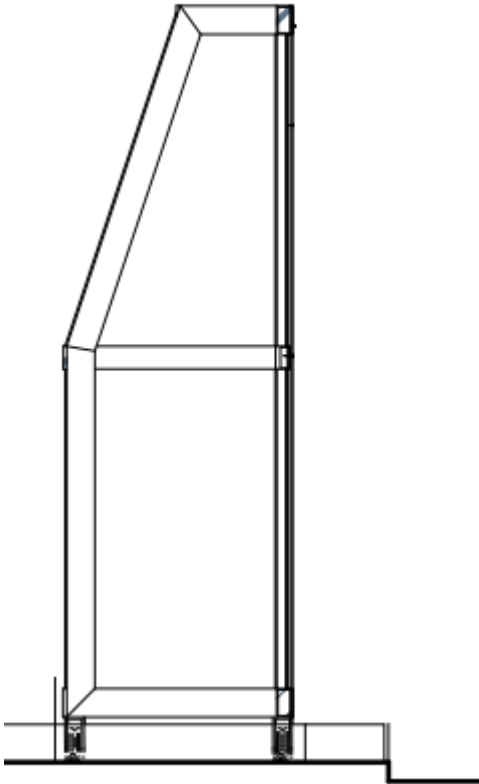
◆ GATES

NORMAL SLIDING GATE



◆ GATES

NORMAL SLIDING GATE - SITUATION



1/ Structure of gate not stable

- ⇒ 2 rails design to keep the gate straight
- ⇒ Use many wheels

2/ Structure of rails, effected by heavy gravity vehicle

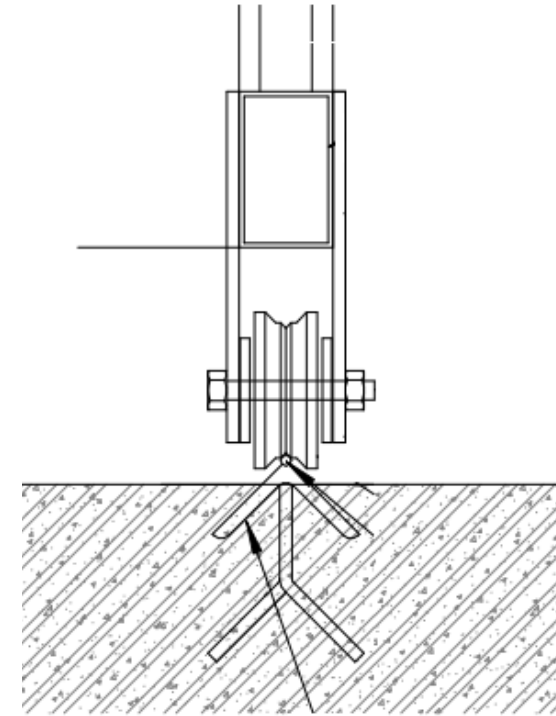
- ⇒ Rails be broken or curved
- ⇒ Gates can not work smoothly and become heavier

3/ Uncontroled welding points and affection of environment

- ⇒ Gate get rusted, especially in welding points
- ⇒ Gate be affected by sunshine, UV, rain, temperature change

4/ Finishing gates at sites

- ⇒ Can not control gates' quality



◆ GATES

FOLDING GATE SITUATION



1/ Light, not fixed

- ⇒ Easy to be fell down by affection of strong winds or external forces
- ⇒ Use many wheels

2/ Motor move together with gates

- ⇒ Motor easy to get damage when moving
- ⇒ Gates can not work smoothly and become heavier

3/ Weak structure, folding structure

- ⇒ Get damage at connection points

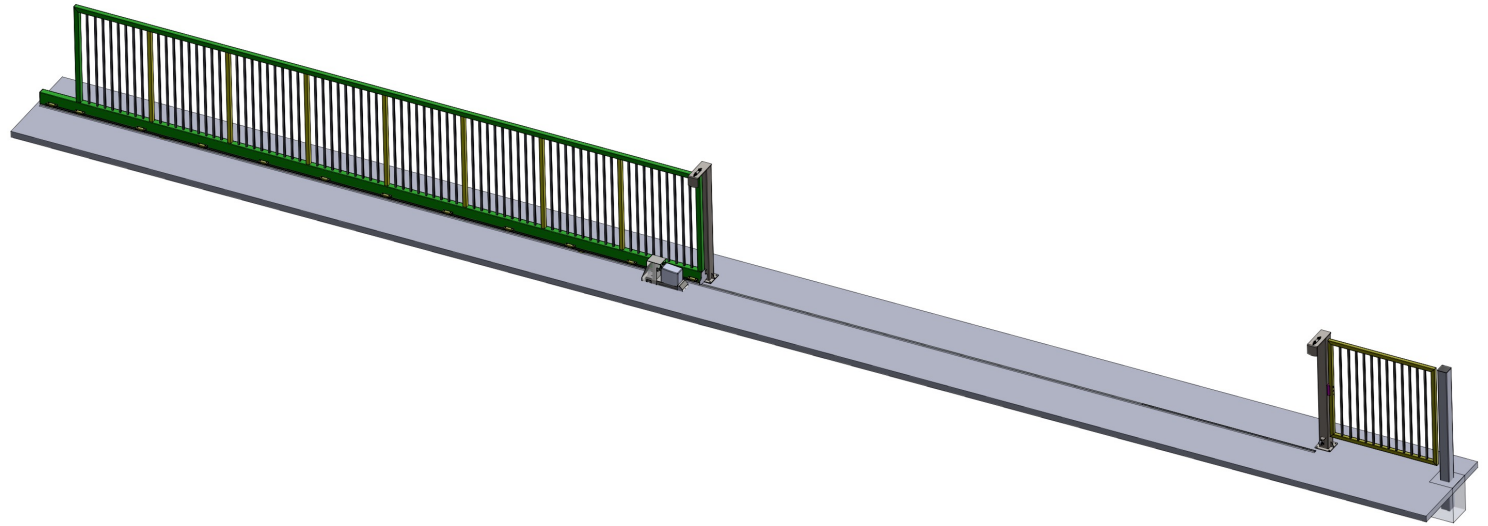
4/ Plastic wheels or plastic cover wheels

- ⇒ Gate can not work smoothly
- ⇒ Easy to be broken



◆ GATES

1/ European design with strong structure and hardware

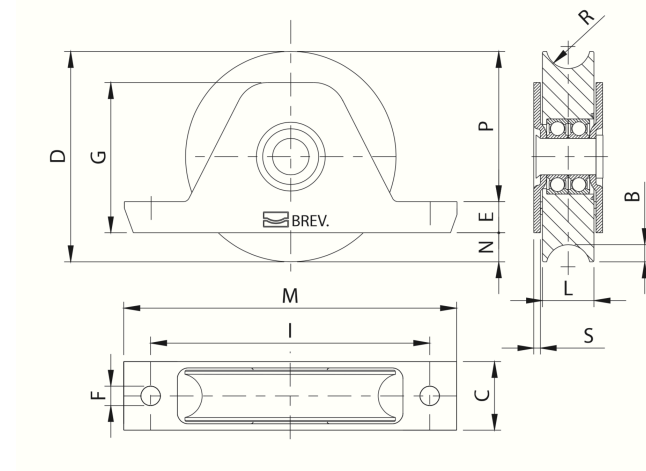
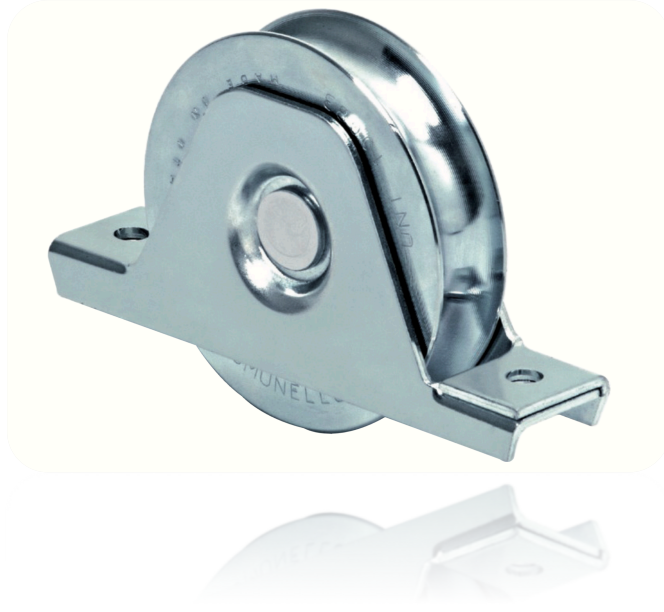


EVERYTHING BECOMES BETTER



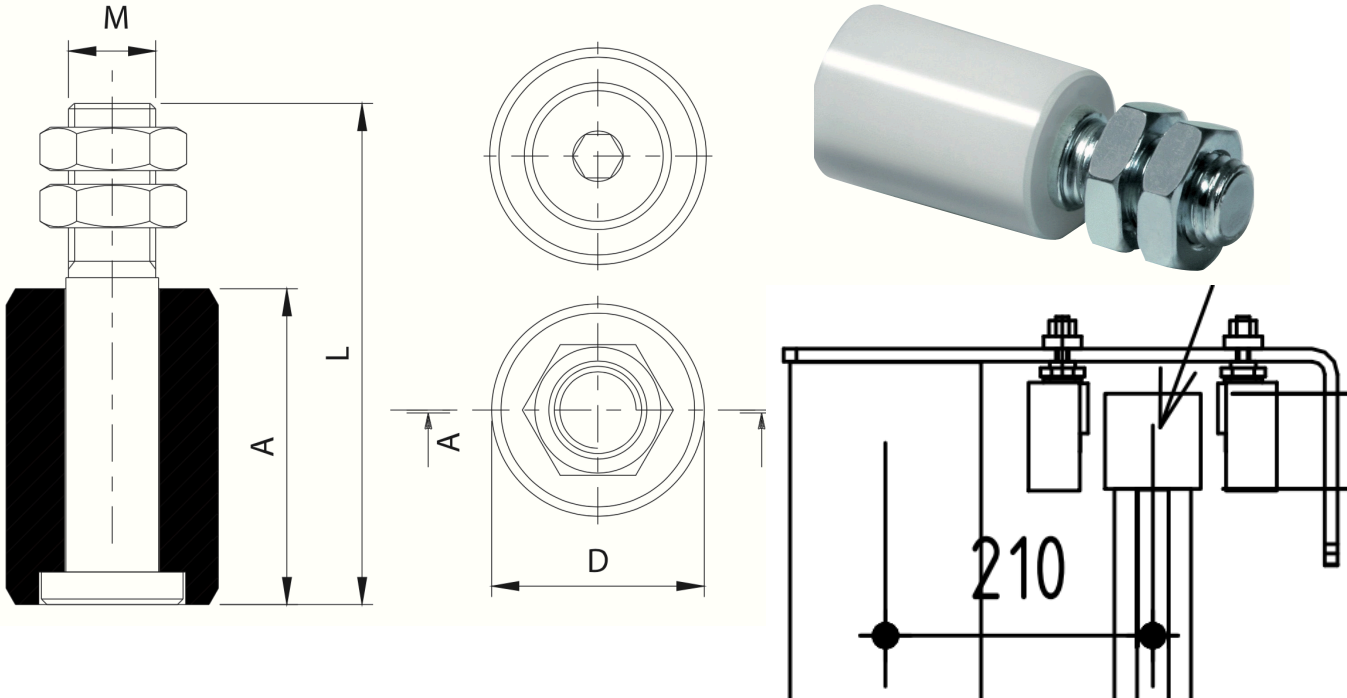
◆ GATES

✓ Strong wheels with stable structure



◆ GATES

✓ Guiding post with rollings to keep the gate straight





✓ Strong motor



A “complete machine” which contains all the electronic and mechanical components required to manage gate positioning and the safety functions of the installation

The use of low voltage motors increase the performance, guarantee high efficiency, long life and silent running

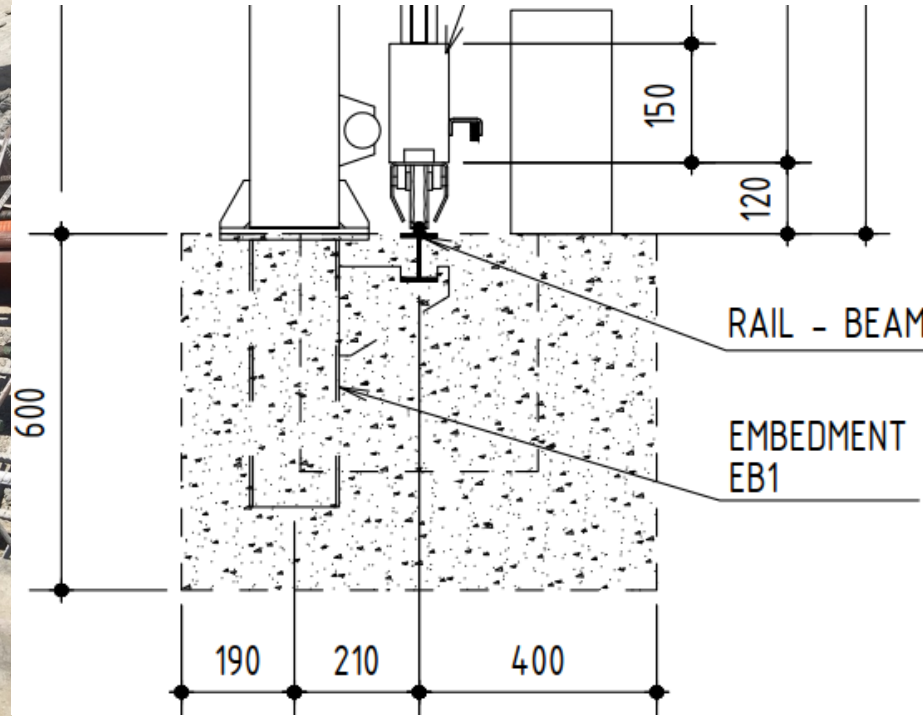
Drag speed max. 13 m/min

800Kg / 1500 Kg / 3000 Kg option

Quick release to Manual operation

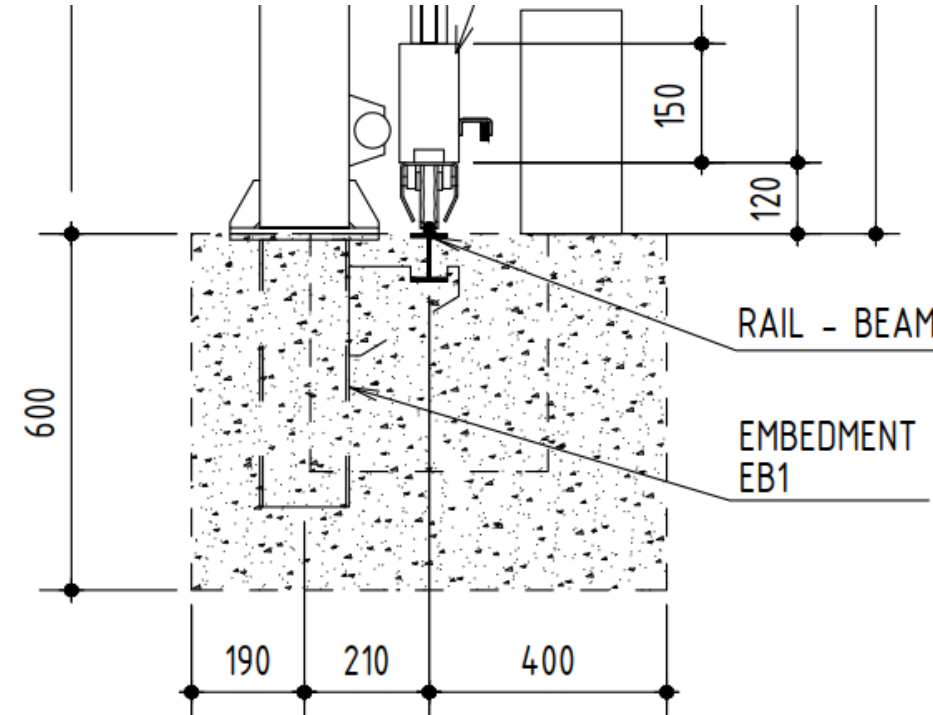
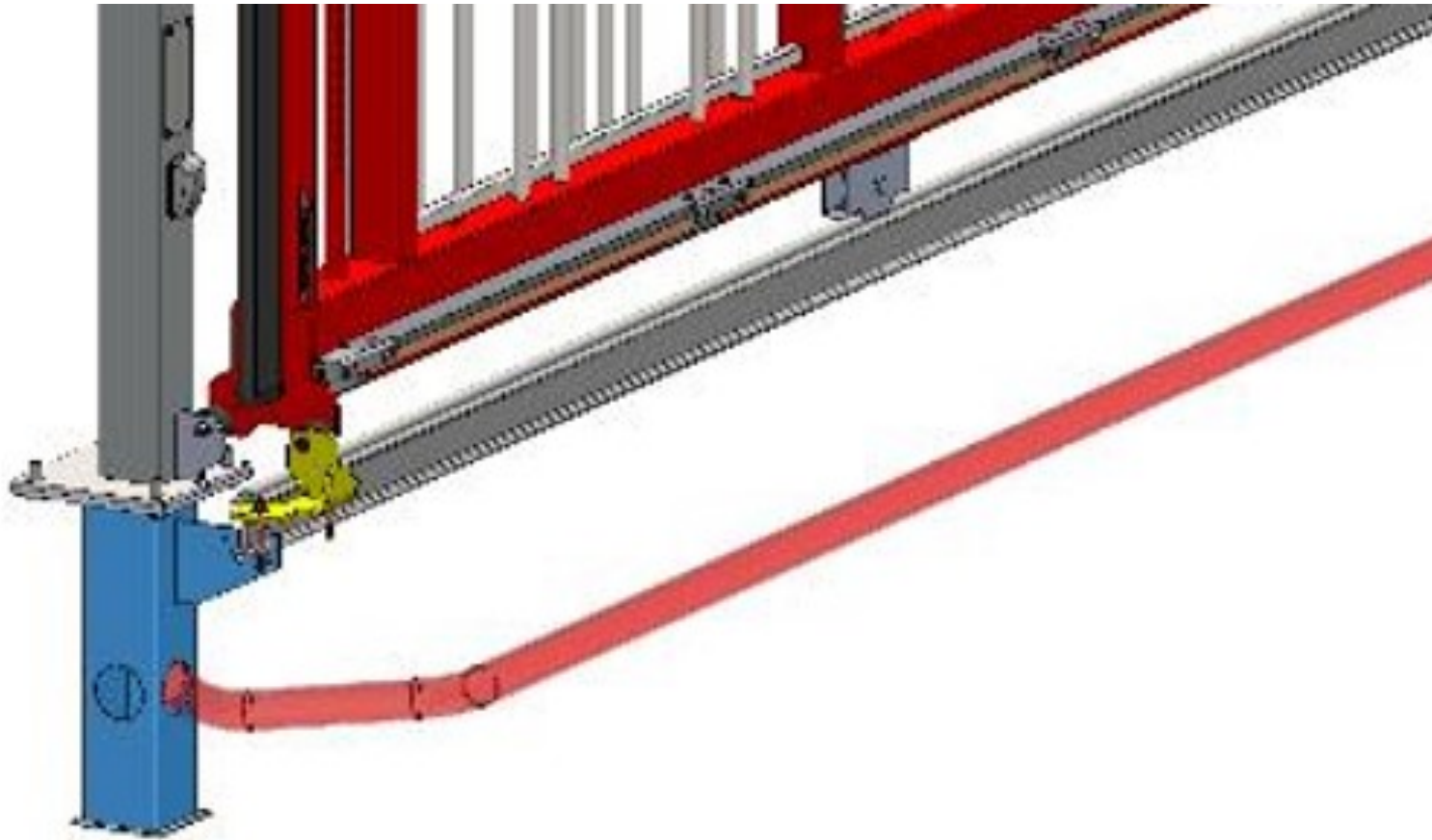
◆ GATES

2/ Reinforcement structure of rails



◆ GATES

2/ Reinforcement structure of rails



◆ GATES

3/ Good finishing

FRANCE



- The POLYESTER finish offers outstanding resistance to UV and adverse weather conditions and provides a very attractive gloss finish.
- Relevant areas according to standard ISO 12944-2: C1 (very low), C2 (low), C3 (medium).
- Products installed in C4 (high), C5 (high) and C5 (very high) areas are not covered.

VIETNAM



PPG Protective & Marine Coatings

5 YEARS WARRANTY ANTI COROSION



EVERYTHING BECOMES BETTER

◆ GATES

4/ Quality test at factory before delivery



Testing at factory to control quality



EVERYTHING BECOMES BETTER

◆ GATES



EVERYTHING BECOMES BETTER



◆ GATE

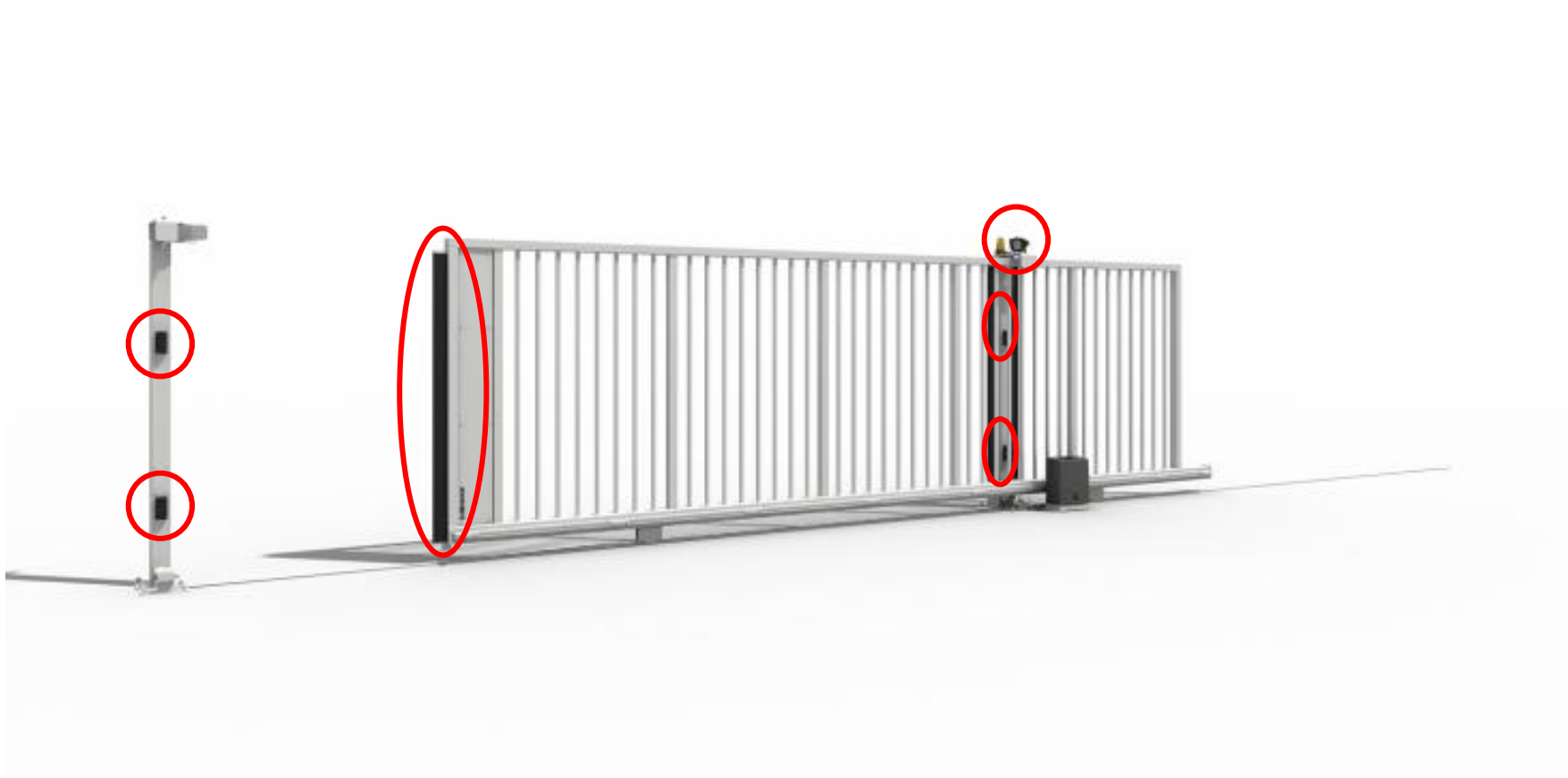


DIRICKX – FRANCE	STV - VIETNAM
Polyester Coating 10 years anti corrosion	PPG painting 5 years anti corrosion
Strong hardware and structure	Strong hardware and structure
Reinforced rail	Reinforced rail
Full option of safety sensors	“Hold to run” option for safety
Made in France	Made in Vietnam
Can adapt gate up to 100 linear meters	Limited 12 meters of gate



◆ GATES

✓ Safety Sensors



◆ GATES



EVERYTHING BECOMES BETTER

◆ FENCES

NORMAL FENCE



◆ FENCES



IN 10 YEARS, MAINTENANCE FEE FOR FENCE IS HIGHER THAN COST TO BUILD A NEW FENCE

Maintenance

- **EACH 2 YEARS** FOR GOOD FINISHING APPEARANCE PURPOSE
- **EACH 5 YEARS** FOR SURVIVE PURPOSE AT LEAST



◆ FENCES



**IF YOUR FENCE HAVE:
2M HEIGHT, 1000M LENGTH**

Repaint fee in market: 50,000 vnd/ m²/ one side

⇒ **Repaint fee for 1000 meter of fence with H2000:**

$50,000 * 2 \text{ (HEIGHT)} * 2 \text{ (SIDE)} = 200,000 \text{ vnd}$

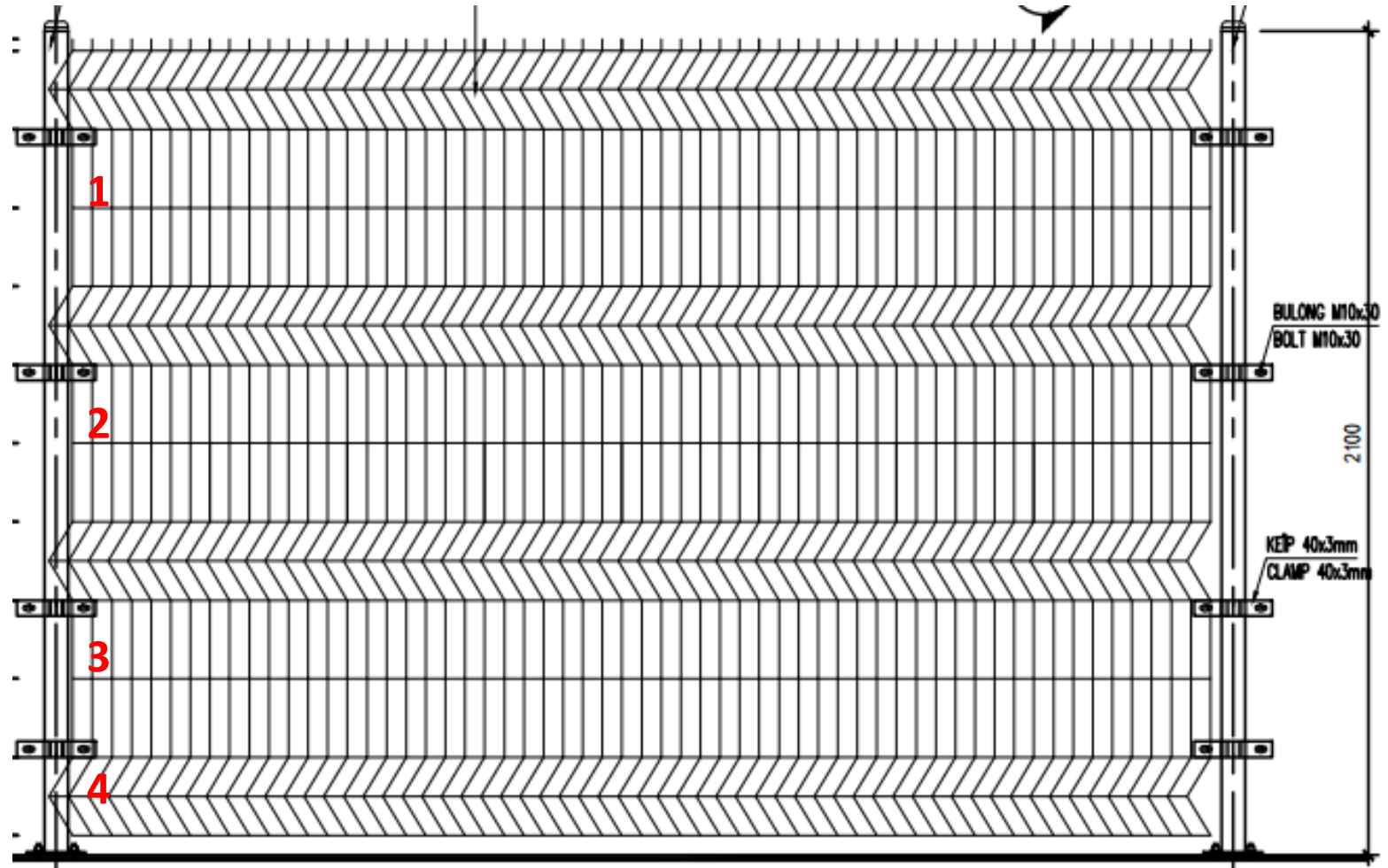
Total fee = 200,000 * 1000(m) = 200,000,000 vnd



◆ FENCES

Steel fence with accessories

- Connect post and panel temporarily
- Easy to be removed by unscrew the accessories
- Rusted accessories also affect fence's quality



◆ FENCES

DIRICKX'S SOLUTION

- ✓ **Warranty 10 years.** Minimum maintenance cost (no repaint, no replacement) peace of mind at least 10 years.
- ✓ **Beautiful appearance** during operation with special finishing polyester coated



◆ FENCES

DIRICKX'S SOLUTION

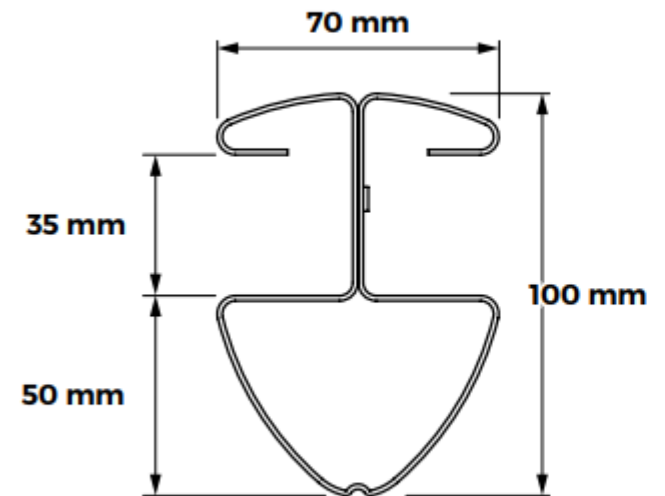
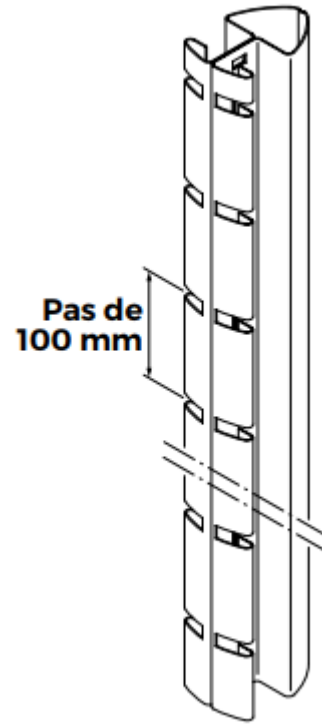
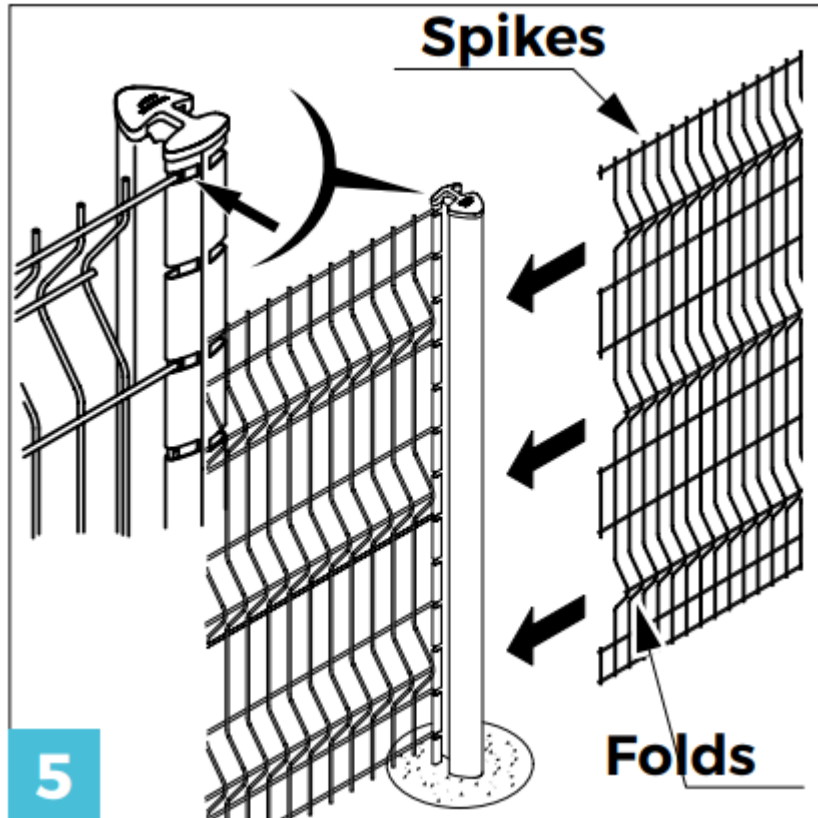


DIRICKX
GUARANTEE
ANTI-CORROSION
10 YEARS
POLYESTER

- The POLYESTER finish offers outstanding resistance to UV and adverse weather conditions and provides a very attractive gloss finish.
- Relevant areas according to standard ISO 12944-2: C1 (very low), C2 (low), C3 (medium).
- Products installed in C4 (high), C5 (high) and C5 (very high) areas are not covered.

◆ FENCES

No need accessories to install the fence



◆ FENCES

**NORMAL FENCE WITH
WELDING**



DIRICKX'S SOLUTION



NON-WELDING



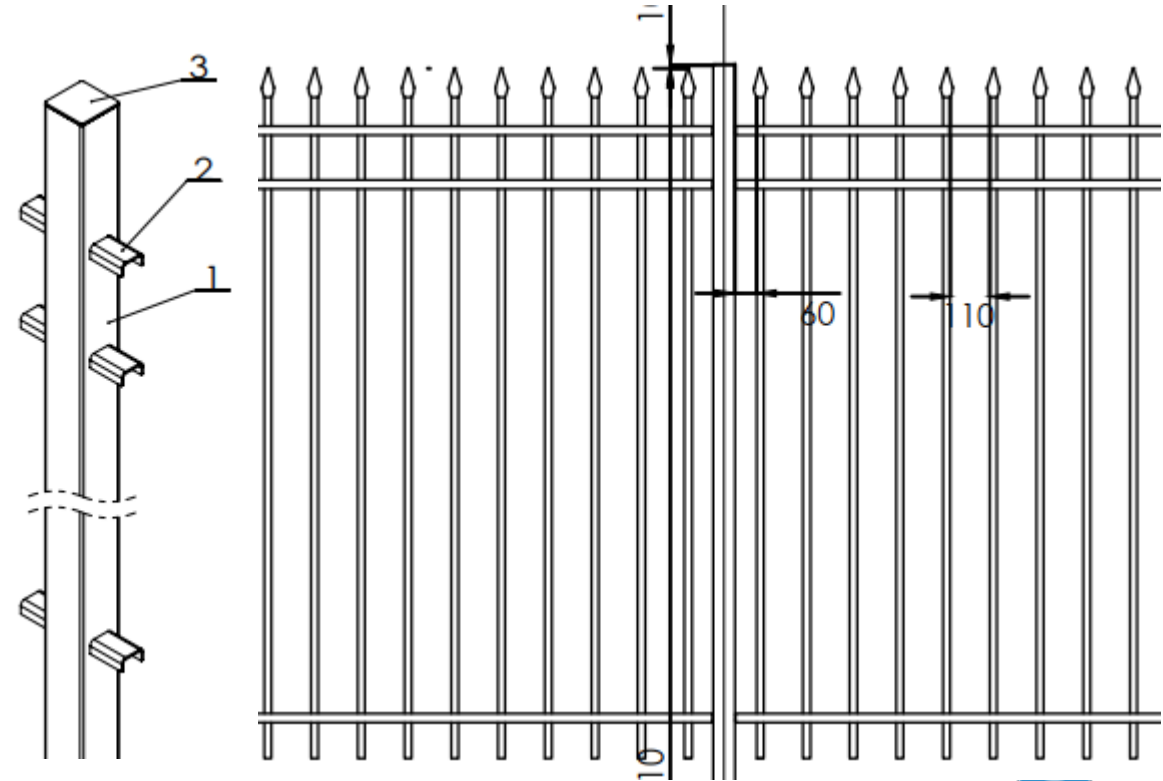
EVERYTHING BECOMES BETTER

◆ FENCES

NORMAL FENCE WITH WELDING



DIRICKX'S SOLUTION

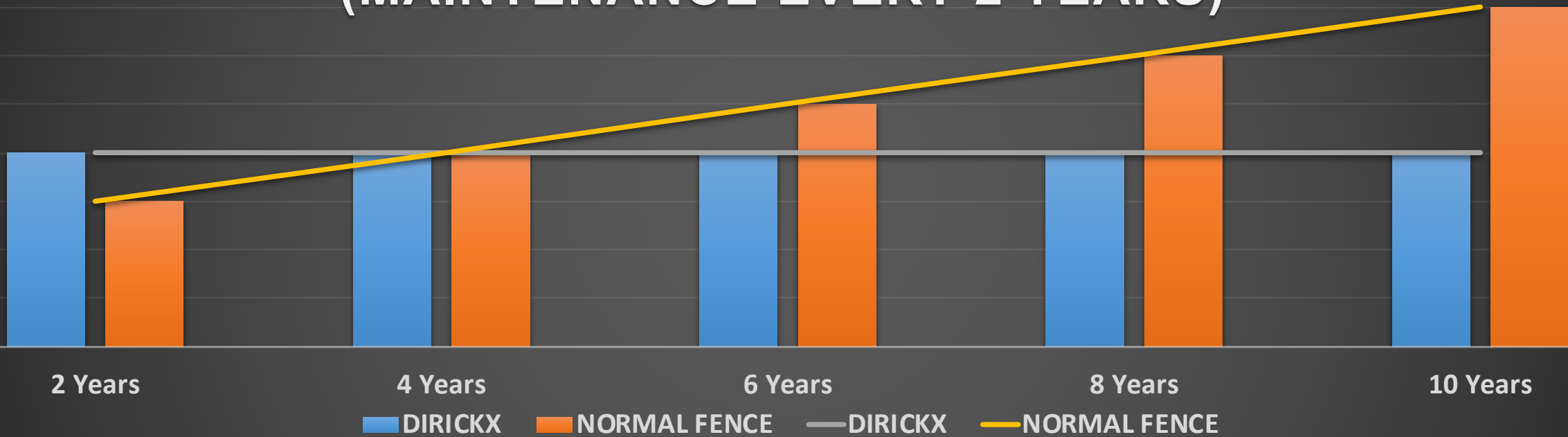


NON-WELDING



◆ FENCES

INVESTMENT COST IN 10 YEARS DIRICKX **VS** NORMAL FENCE (MAINTENANCE EVERY 2 YEARS)



NOTE:

- "10 YEARS WARRANTY" IS POLICY OF DIRICKX. LIFE CIRCLE OF PRODUCTS CAN REACH 20 - 30 YEARS.
- MAINTENANCE COST OF NORMAL FENCE NOT INCLUDE SOME CASE WHICH HAVE TO REPLACE FENCE

EVERYTHING BECOMES BETTER



◆ FENCES

WE ALSO HAVE

✓ New brand of fences in Vietnam



EVERYTHING BECOMES BETTER

◆ FENCES

WE ALSO HAVE

✓ New brand of fences in Vietnam



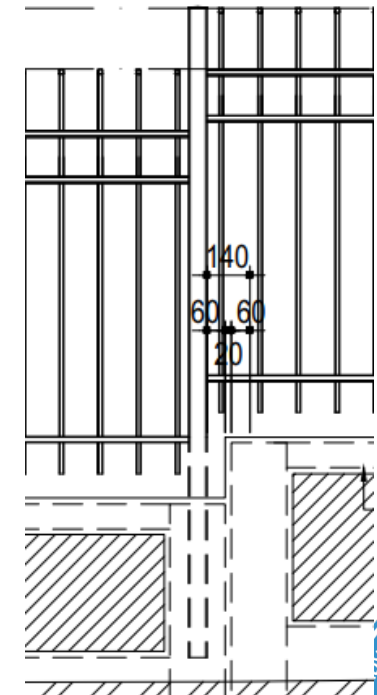
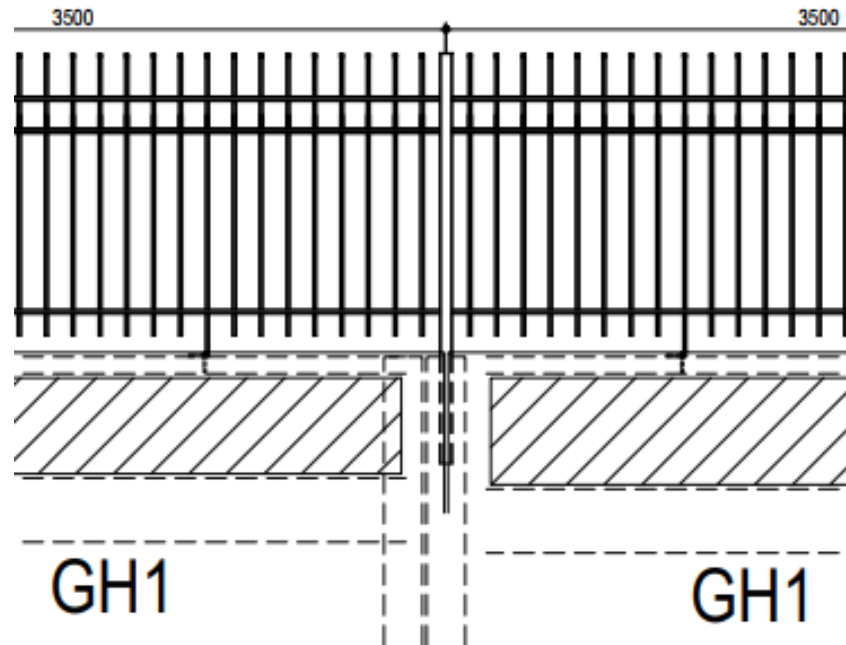
EVERYTHING BECOMES BETTER

◆ FENCES

STV'S RAILING FENCE

✓ Assembly design:

- No need expansion joints
- Not welding at sites
- Keep perfect fishing



◆ FENCES



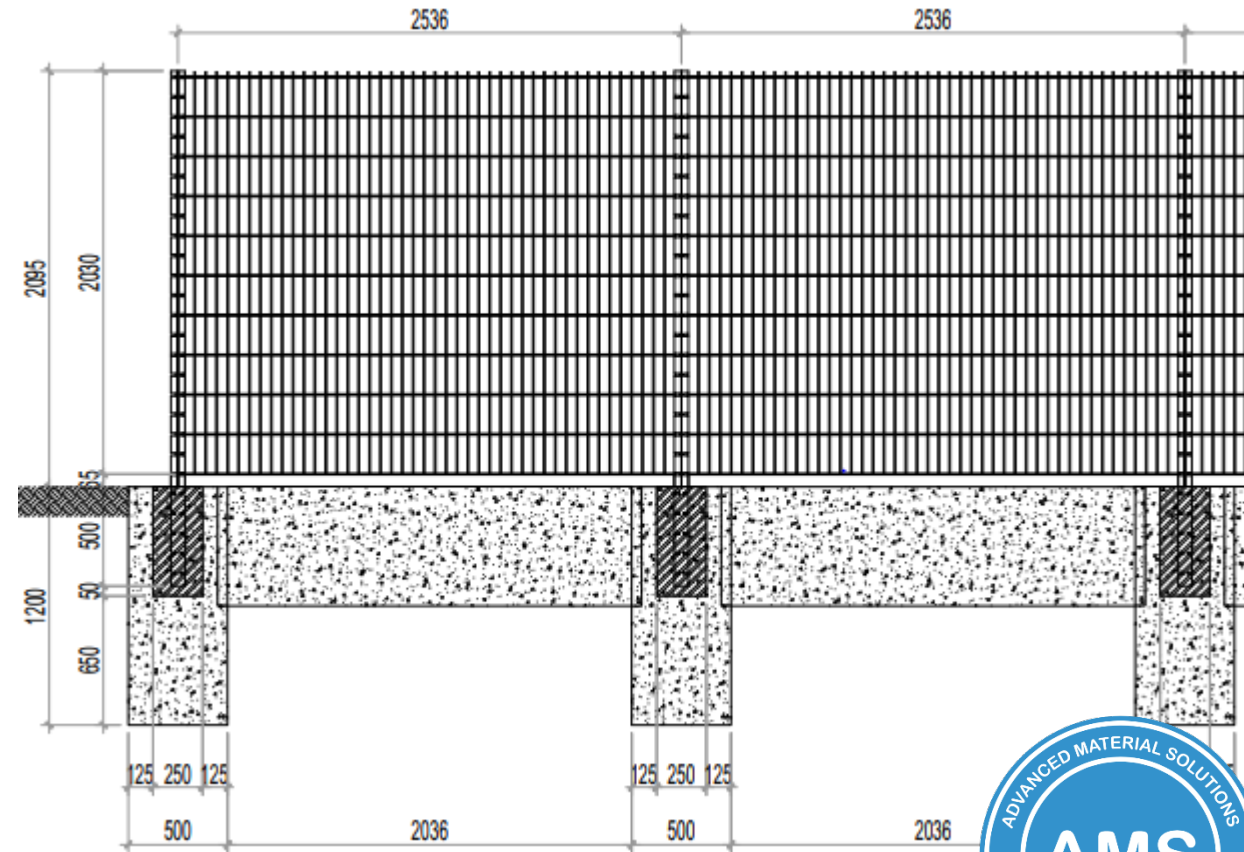
DIRICKX – FRANCE	STV - VIETNAM
Assembly Design – Not welding	Assembly Design – Not welding
Polyester Coating	Polyester Coating
Aesthetic	Aesthetic
Made in France	Made in Vietnam
10 years warranty anti-corrosion	3 years warranty anti-corrosion



◆ FENCES – PRECAST TIE BEAM

Precast tie beam and concrete foundation:

=> increase quality, reduce cost and installation time



◆ FENCES – PRECAST TIE BEAM

Precast tie beam and concrete foundation:

- Prefabricated by mold, modularization every single point

=> No need to worry about
wrong positioning at site

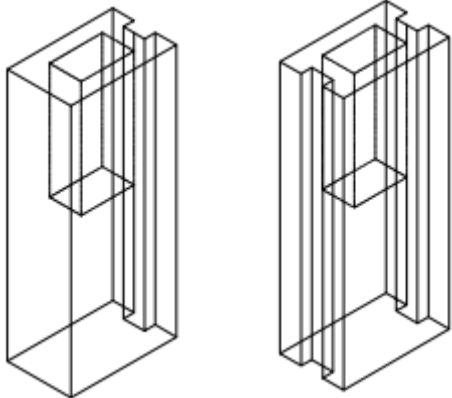


◆ FENCES – PRECAST TIE BEAM

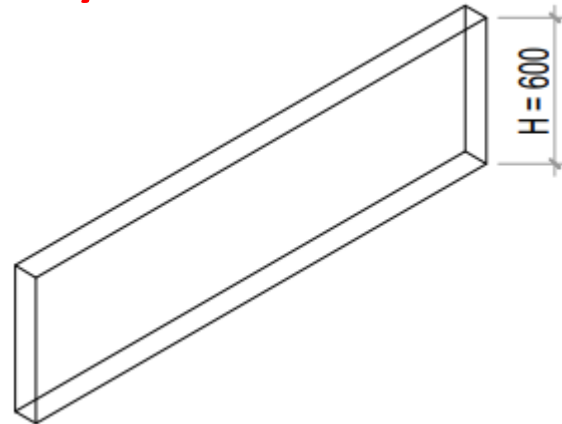
Precast tie beam and concrete foundation:

- Material by concrete, not by brick.

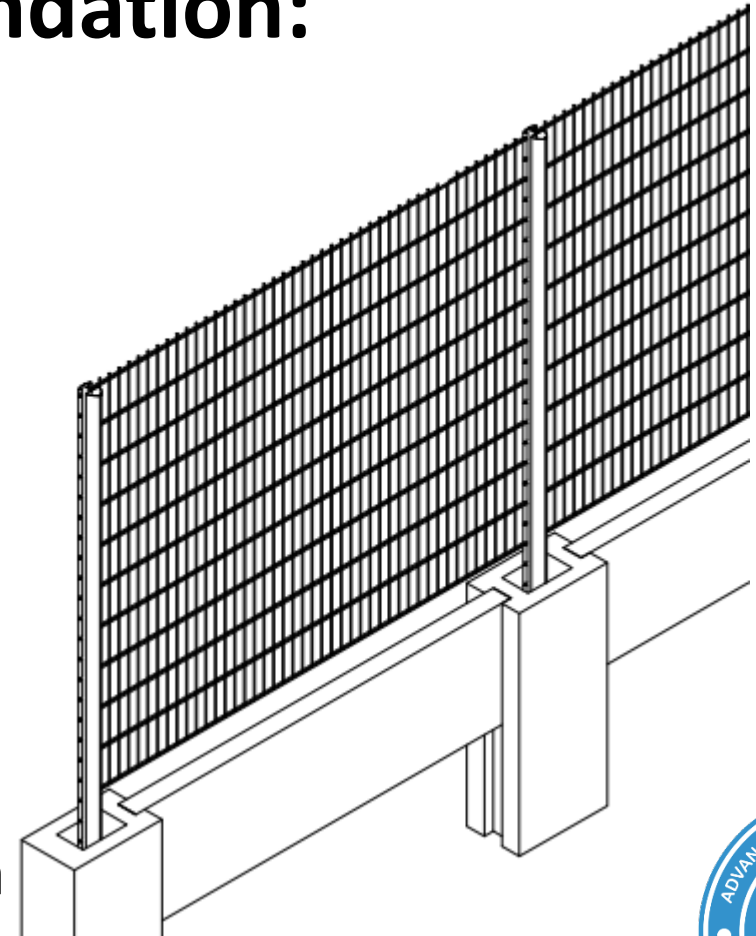
=> Stronger and durability



Concrete foundation



Light concrete tie beam



◆ FENCES – PRECAST TIE BEAM

Precast tie beam and concrete foundation:

=> Stronger and durability



◆ FENCES – PRECAST TIE BEAM

Precast tie beam and concrete foundation:

=> Quick installation, just assembled

=> Can reach 100 linear meters/ day / 3 people



Everything becomes better



AMS CONSTRUCTION COMPANY LIMITED

-  3rd Floor, Nam Giao Building,
261-263 Phan Xich Long Street,
Ward 02, Phu Nhuan District, HCM, Vietnam.
-  Tel : (+84) 28 3517 8279
-  Hotline: (+84) 786 760 760



Made in france



ASSEMBLY HANDRAIL



EVERYTHING BECOMES BETTER