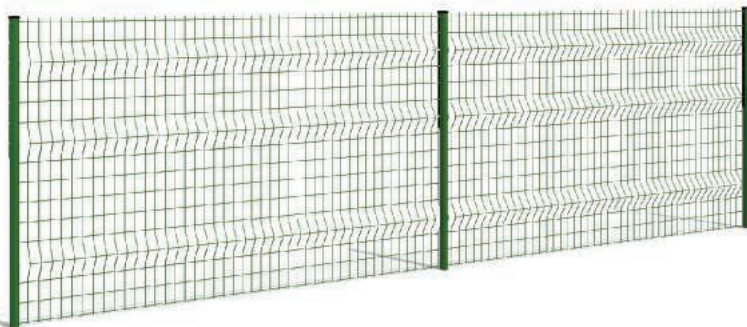


# AXIS® S

RIGID PANEL FENCING



Recommended for use with the AXOR® post, AXIS® S offers **great value for money** for fencing off general-use sites.



Installation on walls



Detail



Linear profile

## INSTALLATION

### Quick and easy to install

- EASYFIX installation system.
- Installation in forward sequence, no accessories required: the panels slot into grooves on the posts.
- One single post type for the start and end of the fence and for intermediate panels.
- Suitable for all sites: curved, angled or sloping premises.
- Several configurations possible: suitable for installation on a base plate or wall, with concrete gravel boards, etc.

## OPERATION

### Resistance

- Small mesh.
- Pleats for extra strength.
- Tamper-proof once installed.
- Defensive spikes.

### Attractive design

- Award-winning design.
- 200 RAL colours available.
- 10 sanded coatings from the Elegance® Collection.



Janus 2001

### Quality finish

- Galvanised steel with High Adherence plastic coating.
- 10 year anti-corrosion guarantee.
- Optional PROTECT + coating.

1 2 3 4 **5**  
Easy installation

1 **2** 3 4 5  
Protection

1 **2** 3 4 5  
Rigidity

1 2 **3** 4 5  
Design



Administrations & local authorities



Businesses



Housing complexes



Scan the QR code to watch the helpful installation video.

## STANDARDS

### Finish

#### → Panel:

- Galvanised steel wires comply with standard NF EN 10244-2.
- High Adherence Polyester plastic-coated panels comply with standard EN 13438.



#### → Post:

- Galvanised strips comply with standard EN 10346.
- High Adherence Polyester plastic-coated posts comply with standard EN 13438.

### Product

- Welded panels comply with standard EN 10223-7.
- Shaped posts comply with standard EN 10162.

## COLOURS

#### → 7 standard colours:

Blue 5002, Green 6005, Grey 7016, Grey 7035, Brown 8019, Black 9005, White 9010.

#### → 10 regular colours:

Beige 1015, Yellow 1023, Red 3002, Red 3004, Blue 5010, Blue 5015, Green 6009, Grey 7030, Brown 8014, Grey 9006.

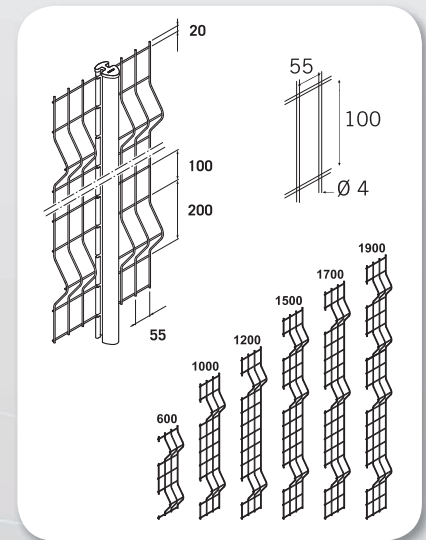
#### → Other colours available on request.

→ 10 coatings from the “Elegance Collection”: green, blue, brown, red, grey and black.

## TECHNICAL DATA

Ø Wire (mm)	Mesh (mm)	Panel width (m)	Nominal panel height (m)	Distance between posts (m)	Corresponding post
Horizontal and vertical: 4	100x55	2.480	0.60	2.510	AXOR® post
			1.00		
			1.20		
			1.50		
			1.70		
			1.90		

For fences measuring 1.5m or less, we recommend pointing the spikes downwards.



Dimensions in mm

## PANEL/POST COMBINATIONS

Height of AXIS® S panel (in m)	0.60	1.00	1.20	1.50	1.70	1.90
<b>Length of AXOR® post (in m)</b>						
• Long embedding	1.00	1.40	1.60	2.00	2.20	2.40
• Short embedding	0.80	1.20	1.40	1.70	2.00	2.20

## OPTIONS

- PROTECT +: coating recommended for the most corrosive areas.
- Installation with posts welded to stainless steel plates (to attach to walls or concrete floors).
- Wall fixing (to attach the panel to a wall or gate).



→ Welded post



→ Wall fixing