

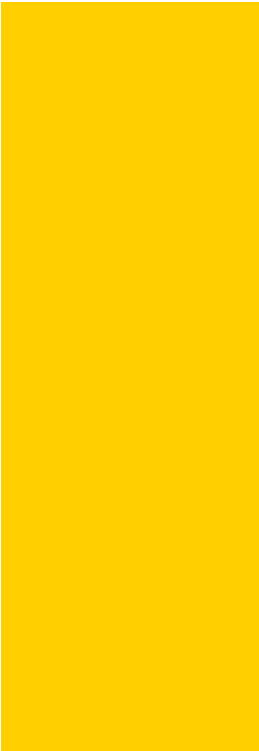
CATALOGUE

2020



Premium French fencing solutions

FENCES - GATES - ACCESS CONTROL



DIRICKX, **A NEW DIMENSION IN CUSTOMER SERVICE**

As the world keeps on turning, so does Dirickx!

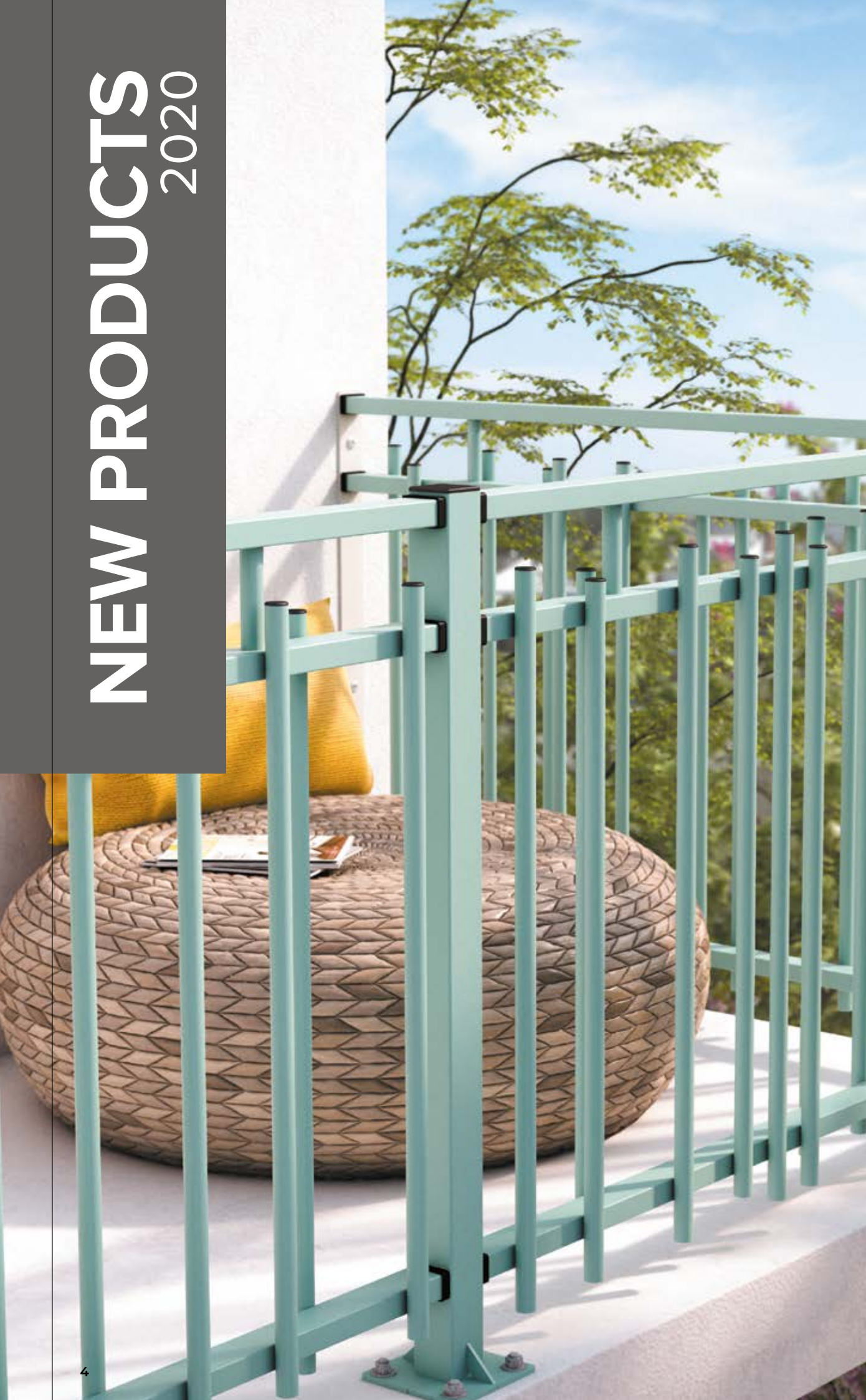
These last few years, we have invested in the human and financial resources necessary to take our brand to the next level and hasten our own evolution.

Thanks to our innovative spirit, DIRICKX is without a doubt today a leading international specialist in perimeter protection for sites.

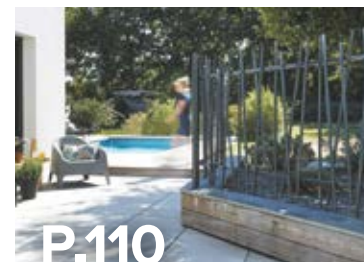
At the heart of this dynamic is our commitment to innovation by always paying attention to what our customers need and expect. With their trust and satisfaction, we can work on continuously improving our offer. Whether they are in France or abroad, DIRICKX guarantees them quality products and services that are on the cutting edge of market developments.

Our customers will find that the 2020 DIRICKX catalogue offers new products and additions to product ranges in all areas: boundaries, locking, access control and management, etc. We have new products inspired by the feedback we have received from all our customers.

We can innovate together in the name of protection!

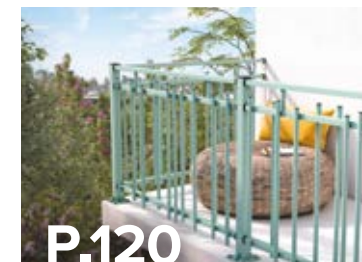


DIRICKX



P.110
ELIXIR® PUR & ZEN
RESIDENTIAL BARRED
RAILINGS

Compatible with our AXOR®- AXIS®-AXYLE® posts to unleash your creativity and beautify your exteriors by mixing our different boundary solutions.



P.120
myMIX® & EXALT®
GUARDRAIL

Matching all of our ALLIX® gate infills and railing models.



P.124
LEXIE® DECORATIVE
SHEET METAL®

The perfect complement to our myMIX® and EXALT® railings, they punctuate a line of barred fencing with a whimsical air.



P.152
AXYLE® PRIVACY GATE

Blends in perfectly with our fences and privacy fencing systems.



P.172
ALLIX® MOTORISED SWING
GATE, CONCEALED MOTOR

Comfort, security and style guaranteed.



P.181
CONTROL BOARD
COLUMN FOR
THE ALLIX® GATE

Designed for ALLIX® motorised cantilever and sliding gates, they provide security and style.



P.200
FLUXI® TURNSTILES

This range can cover all your traffic management needs (pedestrians, persons with reduced mobility (PRM), bicycles).



CONTENTS

THE DIRICKX UNIVERSE

	PAGES
Premium French fencing solutions since 1921	8
A pioneering spirit	10
Unique know-how	12
A comprehensive offer	14
Made in France	16
A comprehensive solution	18
Colour schemes & finishes	20

DIRICKX OFFERS

	PAGES
Our new products	4
Selection tool	22

MESH ROLL FENCING

	PAGES
EDGING	26 – 27
Garden edging	26
AXIAL® Boundary	27
CHAINLINK FENCE	28 – 29
PLASTEX®, FLUIDEX® & GALVEX®	28
WELDED MESH ROLLS	30 – 33
RESIDENTIAL APPLICATIONS	
AXIAL® Mesh 100	30–31
AXIAL® Mesh 75	30–31
AXIAL® Mesh 50	30–31
PROFESSIONAL APPLICATIONS	
AXIAL® Mesh 50 Premium	32
BASTILLE® Parc	33
AGRICULTURAL FENCING	34 – 43
TTX	34
ARAVIS	35
ARIZONA Parks & Forests	36
ARIZONA Motorways & Railways	38
AGRICLOS®	40
RONCES barbed wire & wire cables	42
Wire in coils	43

RIGID PANELS & PRIVACY FENCING

	PAGES
Summary table of possible combinations	46
Our suggested combinations	47
RESIDENTIAL APPLICATIONS	48 – 53
ARISTA	48
AXOR® Classic	50
AXOR® Chic	52
PROFESSIONAL APPLICATIONS	54 – 63
AXIS® S	54
AXIS® M	56
AXIS® C	58
AXYLE® MS & MD	60
AXYLE® CS & CD	62
SECURITY APPLICATIONS	64 – 69
AXIS® SR	64
AXIS® D	66
AXIS® DR	68
PRIVACY FENCING SYSTEMS FOR PANELS	70 – 81
LIXO®	70
LIXO® Horizontal	72
LIXO® + Finish	74
LIXO® 3D	76
LIXO® Wood	78
LIXO® Top	80

POSTS & ACCESSORIES

	PAGES
FOR MESH ROLL FENCING	84 – 93
TE post	84–87
LONG-LIFE T & T PRO	85–87
UNIVERS post	88–93
FOR PANEL FENCING	94 – 106
REX post	94
AXYLE® H-shaped post	96
AXOR® slotted post	98
AXIS® slotted post	102
INSTALLATION RECOMMENDATIONS	107
RAILINGS & DECORATIVE SHEET METAL	PAGES
ELIXIR®	110
myMIX®	112
EXALT	116
Guardrail	120
LEXIE® decorative sheet metal	124
MODULAR FENCES & WALLS	PAGES
LOOKX®	130
SPORTS FENCES	PAGES
AXISTADE® handrail	138
Sports ground fence	140
PLASTEX®, FLUIDEX® & GALVEX® Tennis	142

MODULAR FENCES & WALLS

	PAGES
LOOKX®	130

SPORTS FENCES

	PAGES
AXISTADE® handrail	138
Sports ground fence	140
PLASTEX®, FLUIDEX® & GALVEX® Tennis	142

RESIDENTIAL GATES

	PAGES
SWING GATES	144 – 155
ECO Garden	146
Garden +	148
AXYLE®	150
AXOR®	152
GATES	154 – 159
AXOR®	154
ELIXIUM®	156

SWING GATES

	PAGES
ESPACE manual	160
ALLIX® manual	162
ALLIX® motorised swing gate with hydraulic cylinder operating system	166
ALLIX® motorised swing gate with embedded hydraulic cylinder operating system	170

SLIDING GATES

	PAGES
ESPACE	176
ALLIX®	178

CANTILEVER GATES

	PAGES
ESPACE	184
ALLIX®	186
Specific & non-standard gates	190

BARRIERS & TURNSTILES

	PAGES
BOOM BARRIERS	194 – 199
BLX manual	195
BLX 4	195
BLX 6	196
BLX 7	196
BLX 6 safety	197
BLX 10	197
TURNSTILES	198 – 203
FLUXI basic mobile turnstile	199
FLUXI single manual or automatic turnstile	200
FLUXI standard double manual or automatic turnstile	201
FLUXI automatic pedestrian & bicycle turnstile	202
FLUXI comfort automatic turnstile for persons with reduced mobility (CPRM)	203

SECURITY SOLUTIONS

	PAGES
Extension arms	206
ATLAS	208
Anti-ram crash barrier	210
SPEEDIX quick-folding gate	212

ACCESS CONTROL

	PAGES
FIX protective pylon	216
Additional equipment	218

GUARANTEES, STANDARDS & REGULATIONS

	PAGES
The guarantees & how they are applied	222
Duration of anti-corrosion guarantees	224
Maintaining products	225
Warranty of fitness for points of access	225
Standards & regulations	226

DIRICKX

PREMIUM FRENCH FENCING SOLUTIONS **SINCE 1921**

We did not become the leader in perimeter protection by chance. Here at Dirickx, we even have **five good reasons** why we are the leader in 2020 - **with more than 800 men and women** assisting professionals in their projects relating to boundaries, locking, as well as access control and management.

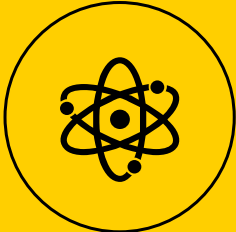
1



A pioneering spirit...
dating back to 1921



3

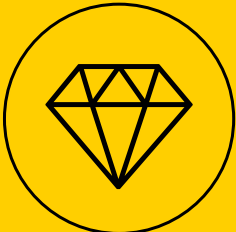


A comprehensive offer to meet all your needs:

- Fences
- Gates
- Access control & management



2



Unique know-how:
high adherence
plastic coating

4



Made in France:

- Designed in Mayenne (department in France)
- 4 production sites

5

A comprehensive solution:

- Design
- Manufacturing
- Commercialisation
- Installation & maintenance

1

A PIONEERING SPIRIT... **DATING BACK TO 1921**

*“HE BELIEVED THAT INNOVATION
WOULD MAKE DIRICKX STAND OUT FROM
THE CROWD, PLACE IT AT THE VANGUARD OF
ITS INDUSTRY – AND KEEP IT THERE TOO.”*



1921-1984

Armand Dirickx

The heart and soul of
an industrial inventor

1984-2017

Jacques Dirickx

An entrepreneur who
pushed the boundaries

SINCE 2017

Wim Deblauwe

An expert in perimeter
protection

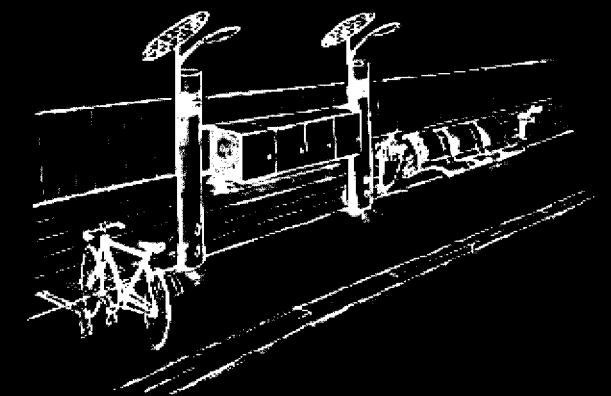
MORE THAN **85 PATENTS**
WORLDWIDE

MORE THAN
60 MODELS
& DESIGNS REGISTERED

MORE THAN
250 DOMAIN NAMES

MORE THAN **145 BRANDS**
REGISTERED

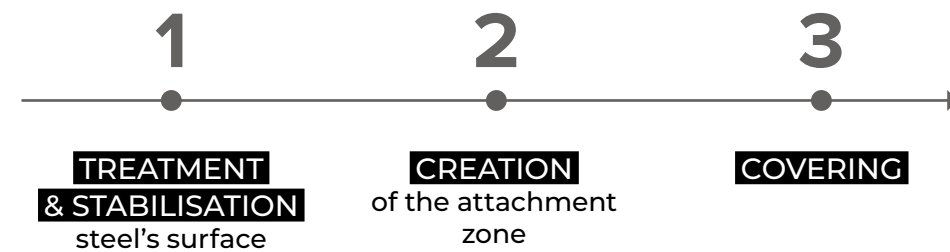
SMART & ECO-FRIENDLY URBAN FENCING



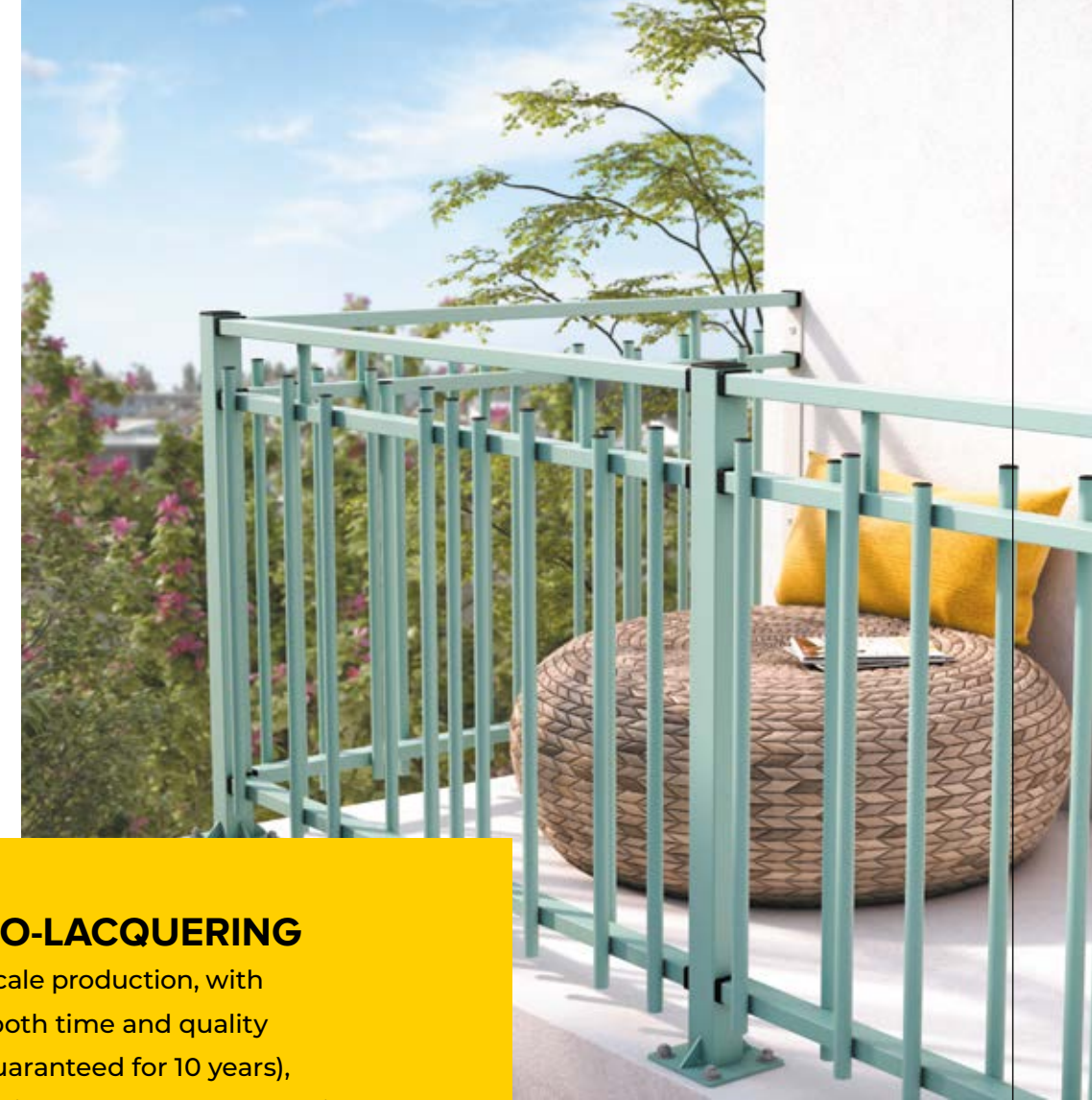
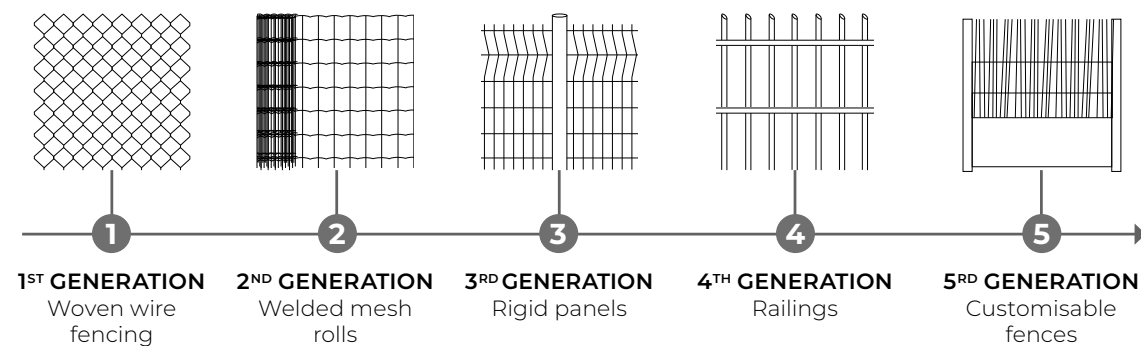
UNIQUE KNOW-HOW: HIGH ADHERENCE PLASTIC COATING

As champions of this technique, we have been able to adapt it to all our products: wires, welded mesh rolls, panels, posts and railings.

Plastic coating by fluidisation consists of three essential steps, which are always carried out in France across four production sites:



There are now **five generations of products** that have benefitted from this “Premium French Fencing” level of quality.



THERMO-LACQUERING

For large scale production, with regard to both time and quality (coating guaranteed for 10 years), we have a high-performance tool with significant capacity: Length 16m/ Width 1m/Height 2.5m and Weight 1.5t.

PROTECT+ COATING

for gloss finish only

The **PROTECT+** coating is recommended for the most corrosive areas.

The techniques used guarantee an excellent adhesion of the coating and good durability over time.

A surcharge and flat rate for application are incurred for non-standard colours.



A COMPREHENSIVE OFFER TO MEET ALL YOUR NEEDS

Whatever your need may be, **our wide range of fences, gates, and access control and management products** enables you to accommodate any type of terrain. Our products complement one another and work together perfectly to produce adapted and balanced creations.



BOUNDARIES



LOCKING



ACCESS CONTROL AND MANAGEMENT

A WIDE RANGE ADAPTED TO ALL APPLICATIONS



PUBLIC AREAS



SERVICE SECTOR SITES



INDUSTRIAL & LOGISTICS SITES



PRIVATE HOMES



HOUSING COMPLEXES



SENSITIVE SITES



SPORTS FACILITIES

MADE IN FRANCE

Dirickx has always designed and manufactured its products in France:

- We are committed to offering **the best possible engineering** and product quality to our customers.
- We wish to **develop and promote talent** within our borders.
- We aim to uphold **our strong founding values**: a standard of excellence, passion for work well done, and respect for people.



SINCE 1921,
Dirickx has
manufactured
in France



28,000

GATES MANUFACTURED PER YEAR



Over the course of nearly
a century,

Dirickx has developed a solid reputation
in the French market.

So, it is not surprising that Picot, an international expert in perimeter protection, has become a shareholder of this “Premium French Fencing” brand.

What are the benefits of such a partnership?

Dirickx’s family atmosphere
has been preserved

while also providing the company with a high degree of industrial autonomy coupled with a **long-term approach, financial stability** and regular investments.

PRODUCTION CAPACITY

22,500

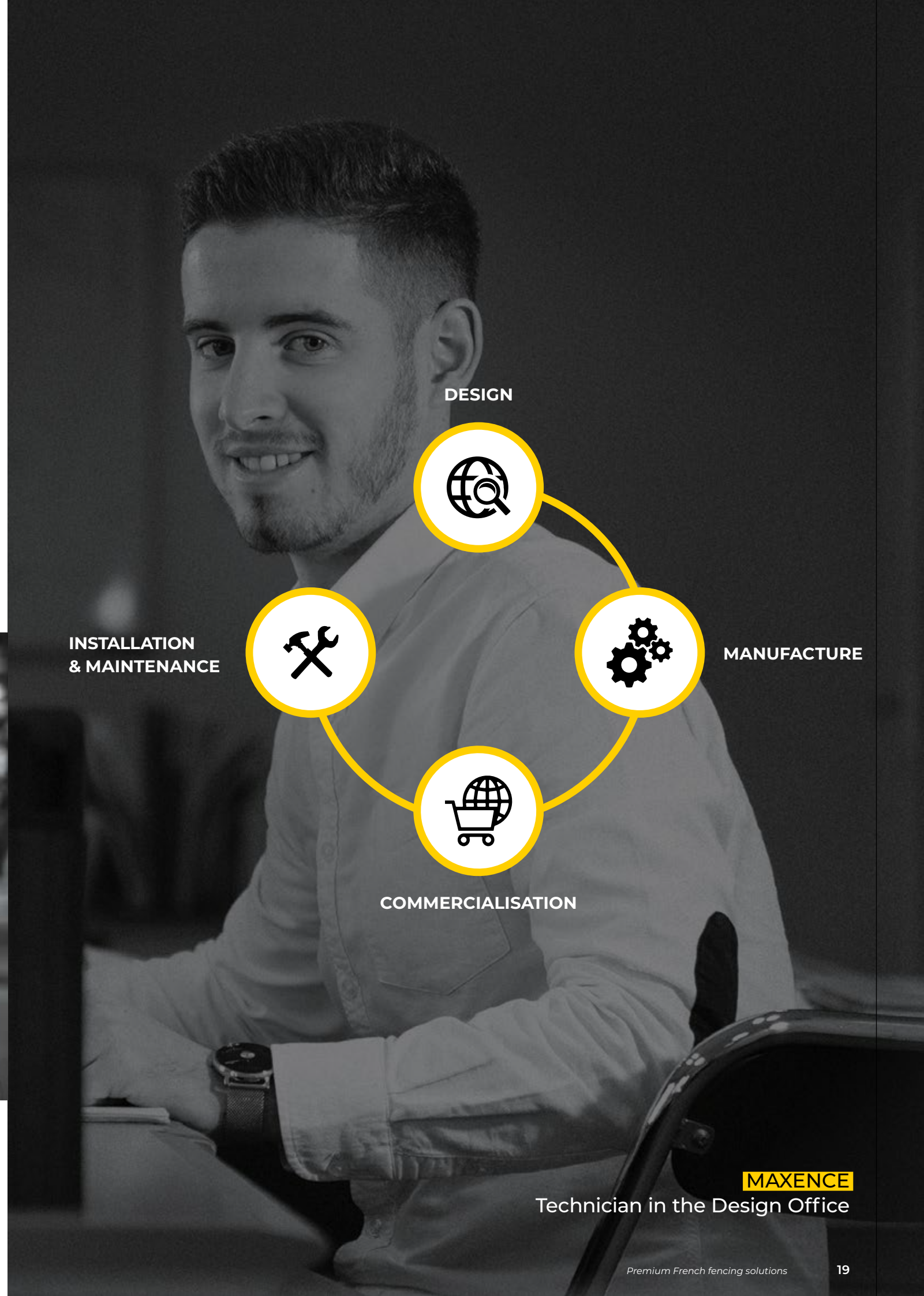
KILOMETRES OF FENCING PER YEAR

A COMPREHENSIVE SOLUTION:
**DESIGN, MANUFACTURE,
 COMMERCIALISATION, INSTALLATION
 & MAINTENANCE**

It is not just through our products but through our **global approach** that we establish a **rich and trusting relationship with our customers** from the moment an order is taken to the point of purchase and beyond.



MARIE-FRANCE
 Quality Controller



DESIGN



MANUFACTURE



INSTALLATION
 & MAINTENANCE



COMMERCIALISATION



MAXENCE
 Technician in the Design Office



COLOUR SCHEMES & FINISHES

Opt for customisation and harmonise your exteriors with **various colour schemes and finishes.**

GLOSS FINISH

> 6 standard colours all at the same price.



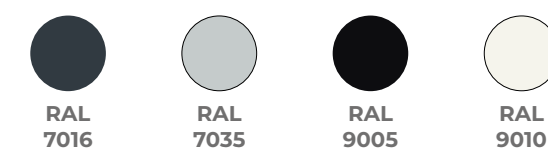
> 200 RAL colours incurring a surcharge and flat rate for application.

The matt and textured finishes blend into modern environments with style and discretion.

They also provide products with improved corrosion, scratch, and impact resistance.

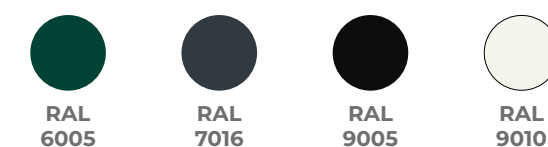
TEXTURED FINISHES

> 4 colours incurring a surcharge and flat rate for application.



MATT FINISHES

> 4 colours incurring a surcharge and flat rate for application.



SELECTION TOOL

CHOOSE THE PRODUCTS BEST SUITED TO YOUR NEEDS BASED ON YOUR OWN SELECTION CRITERIA*

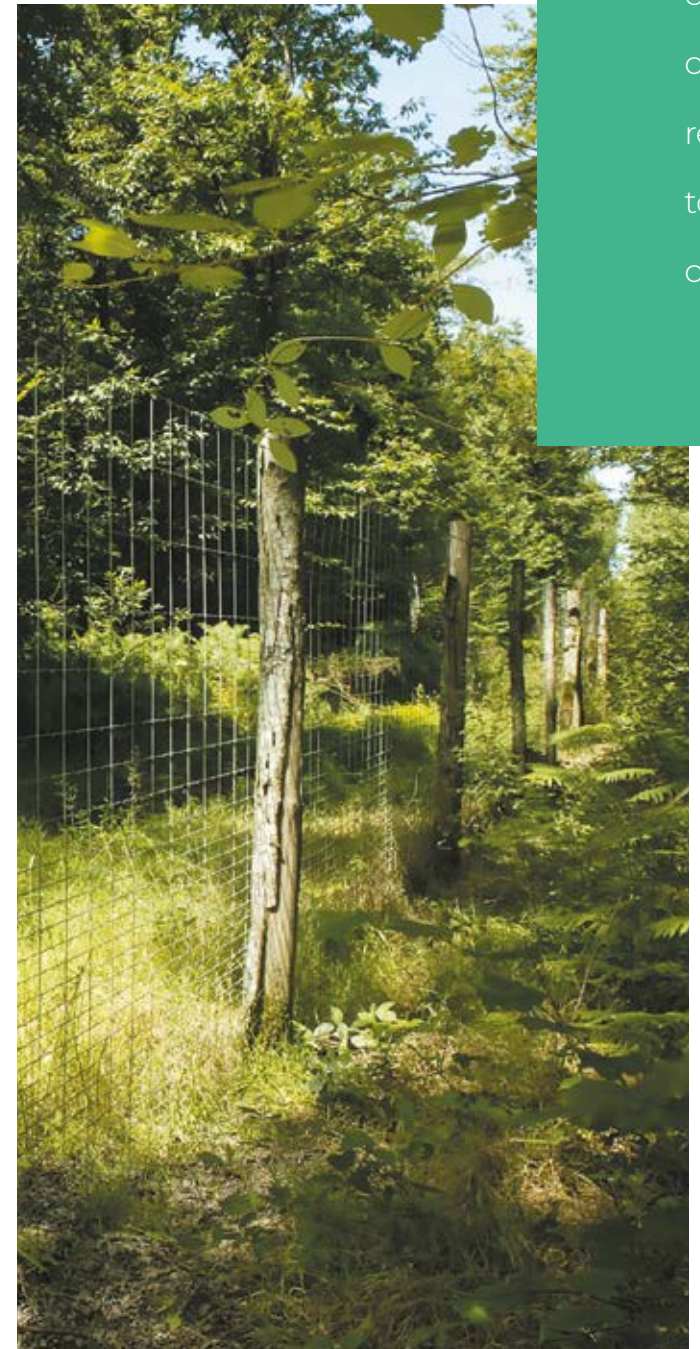
		BUDGET	SECURITY LEVEL	DESIGN	EASY INSTALLATION
MESH ROLL FENCING	PLASTEX®	●●○○	●○○○	●○○○	●○○○
	GALVEX®	●●●○	●○○○	●○○○	●○○○
	AXIAL® Mesh 100 & 75	●○○○	●○○○	●○○○	●●○○
	AXIAL® Mesh 50	●●○○	●○○○	●○○○	●●○○
	AXIAL® Mesh 50 Premium	●●○○	●○○○	●○○○	●●○○
	BASTILLE® Parc	●●○○	●○○○	●○○○	●○○○
RIGID PANELS & PRIVACY FENCING	ARISTA	●○○○		●●○○	●●○○
	AXOR® Classic	●●○○	●●○○	●●○○	●●●●
	AXOR® Chic	●●○○	●●○○	●●●●	●●●●
	AXIS® S	●●○○	●●○○	●●●○	●●●●
	AXIS® M	●●○○	●●○○	●●●○	●●●●
	AXIS® C	●●○○	●●●○	●●●○	●●●●
	AXYLE® MS & MD	●●○○	●●●○	●●●○	●●●○
	AXYLE® CS & CD	●●○○	●●●○	●●●○	●●●○
	AXIS® SR	●●○○	●●●●	●●●○	●●●●
	AXIS® D	●●○○	●●●●	●●●●	●●●●
	AXIS® DR	●●●●	●●●●	●●●●	●●●●
	LIXO® privacy slats®	●○○○		●○○○	●○○○
	LIXO® Horizontal privacy slats	●○○○		●○○○	●○○○
	LIXO® + Finish flexible weave privacy slats	●○○○		●○○○	●○○○
	LIXO® 3D rigid privacy slats	●●○○		●●●●	●●○○
LIXO® Wood rigid privacy slats	●●○○		●●○○	●●●●	
LIXO® Top rigid privacy slats	●●●●		●●●●	●●●●	
RAILINGS & DECORATIVE SHEET METAL	ELIXIR®	●●○○	●○○○	●●●●	●●●●
	myMIX®	●●○○	●●●○	●●●○	●●●●
	EXALT®	●●●●	●●○○	●●●●	●●●●
	myMIX® & EXALT® guardrail	●●○○	●●●●	●●●●	●●●●
	LEXIE® decorative sheet metal®	●●●●	●●○○	●●●●	●●●●
MODULAR WALLS & FENCES	LOOKX®	●●●●	●●●○	●●●●	●●●○
RESIDENTIAL GATES	ECO GARDEN gate	●○○○	●○○○	●○○○	●●●●
	GARDEN + gate	●●○○	●○○○	●●○○	●●●●
	AXYLE® gate	●●○○	●●○○	●●●○	●●●○
	AXOR® swing gate	●●○○	●●○○	●●●●	●●●●
	AXOR® gate	●●○○	●●○○	●●●○	●●●○
	ELIXIUM® GATE®	●●●●	●●●○	●●●●	●●●○
INDUSTRIAL SWING GATES	ESPACE manual	●○○○	●●○○	●●○○	●●●○
	ALLIX® manual	●●○○	●●○○	●●●○	●●●○
	ALLIX® motorised gate (cylinder)	●●○○	●●●○	●●●○	●●●○
	ALLIX®, concealed motor	●●○○	●●○○	●●●●	●●○○
INDUSTRIAL SLIDING GATES	ESPACE	●●○○	●●○○	●●○○	●●●○
	ALLIX®	●●○○	●●●○	●●●●	●●●○
INDUSTRIAL CANTILEVER GATES	ESPACE	●○○○	●●○○	●●○○	●●●○
	ALLIX®	●●○○	●●●○	●●●●	●●●○
BARRIERS & TURNSTILES	BLX manual	●○○○	●○○○	●●●○	●●●●
	BLX 4 boom barrier	●○○○	●●○○	●●●○	●●●●
	BLX 6 boom barrier	●●○○	●●●○	●●●○	●●●○
	BLX 7 boom barrier	●●○○	●●●○	●●●○	●●●●
	BLX 6 safety boom barrier	●●●●	●●●●	●●●○	●●●○
	BLX 10 boom barrier	●●●●	●●●●	●●●○	●●●○
	FLUXI® (BM) single turnstile	●○○○	●●●○	●●○○	●●●●
	FLUXI® (SM, SA) turnstile	●●○○	●●●○	●●●○	●●●●
	FLUXI® (DM, DA) turnstile	●●●●	●●●○	●●●○	●●●●
	FLUXI® pedestrian & bicycle (PB) turnstile	●●●●	●●●○	●●●○	●●●●
	FLUXI® (CPRM) turnstile	●●○○	●●●○	●●●○	●●●●

* This table does not show the entire range and omits products that require guidance and special assessment.

APPLICATIONS						PAGES
PRIVATE HOMES	HOUSING COMPLEXES	PUBLIC AREAS	SERVICE SECTOR SITES	INDUSTRIAL & LOGISTICS SITES	SENSITIVE SITES	
✓		✓	✓	✓	✓	28 - 29
✓		✓	✓	✓	✓	28 - 29
✓	✓					30 - 31
✓	✓					30 - 31
		✓		✓		32
		✓		✓		33
✓						48 - 49
✓						50 - 51
✓						52 - 53
	✓	✓	✓			54 - 55
✓	✓	✓	✓			56 - 57
		✓	✓	✓		58 - 59
✓	✓	✓	✓			60 - 61
✓	✓	✓	✓	✓		62 - 63
		✓	✓	✓		64 - 65
		✓		✓	✓	66 - 67
		✓	✓	✓		68 - 69
✓						70 - 71
✓						72 - 73
✓						74 - 75
✓						76 - 77
✓						78 - 79
✓						80 - 81
✓	✓					110 - 111
	✓	✓	✓	✓		112 - 115
	✓	✓	✓			116 - 119
	✓	✓	✓			120 - 123
	✓	✓	✓			124 - 127
✓	✓					130 - 135
✓						148 - 149
✓						150 - 151
✓	✓					152 - 153
✓	✓					154 - 155
✓	✓					156 - 157
✓						158 - 159
		✓	✓	✓		162 - 163
		✓	✓	✓		164 - 167
	✓	✓	✓			168 - 171
	✓	✓	✓			172 - 175
	✓	✓	✓	✓		178 - 179
		✓	✓	✓		180 - 183
	✓	✓	✓	✓		186 - 187
		✓	✓	✓		188 - 191
	✓	✓		✓		197
	✓	✓	✓			197
	✓	✓	✓	✓		198
	✓	✓	✓	✓		198
	✓	✓	✓	✓	✓	199
		✓	✓	✓	✓	199
				✓		201
			✓	✓	✓	202
			✓	✓	✓	203
			✓	✓	✓	204
			✓	✓	✓	205

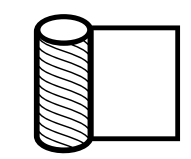


Mesh roll fencing adapts to the idiosyncrasies of all terrain types. Our various models cover a wide range of options from low-cost residential boundaries to the protection of sensitive sites.



MESH ROLL FENCING

PERFECT FOR SETTING UP BOUNDARIES





DIRICKX ANTI-CORROSION GUARANTEE

10 YEARS PVC

For marking out and protecting your borders

EDGING

GARDEN EDGING

PRIVATE HOMES



STYLE

- A familiar design for garden enthusiasts using decorative arches.

EASY INSTALLATION

- The 150 x 78mm mesh provides both sturdiness and flexibility for your gardening projects.
- Can be installed using a T post, a UNIVERS post or even inserted directly into the ground without a post.

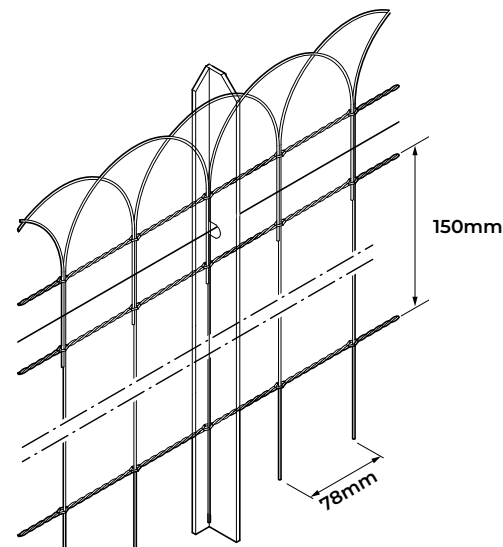
FINISH

- Galvanised steel with high adherence plastic coating,

FEATURES

- Heights: 0.40 / 0.65 / 0.90m
- Lengths: 10 or 25m
- Colours: Green 6005 ●

WIRE DIA. (mm)	BOUNDARY HEIGHT (m)
Horizontal: 3 / Vertical: 2.30	0.40 / 0.65 / 0.90



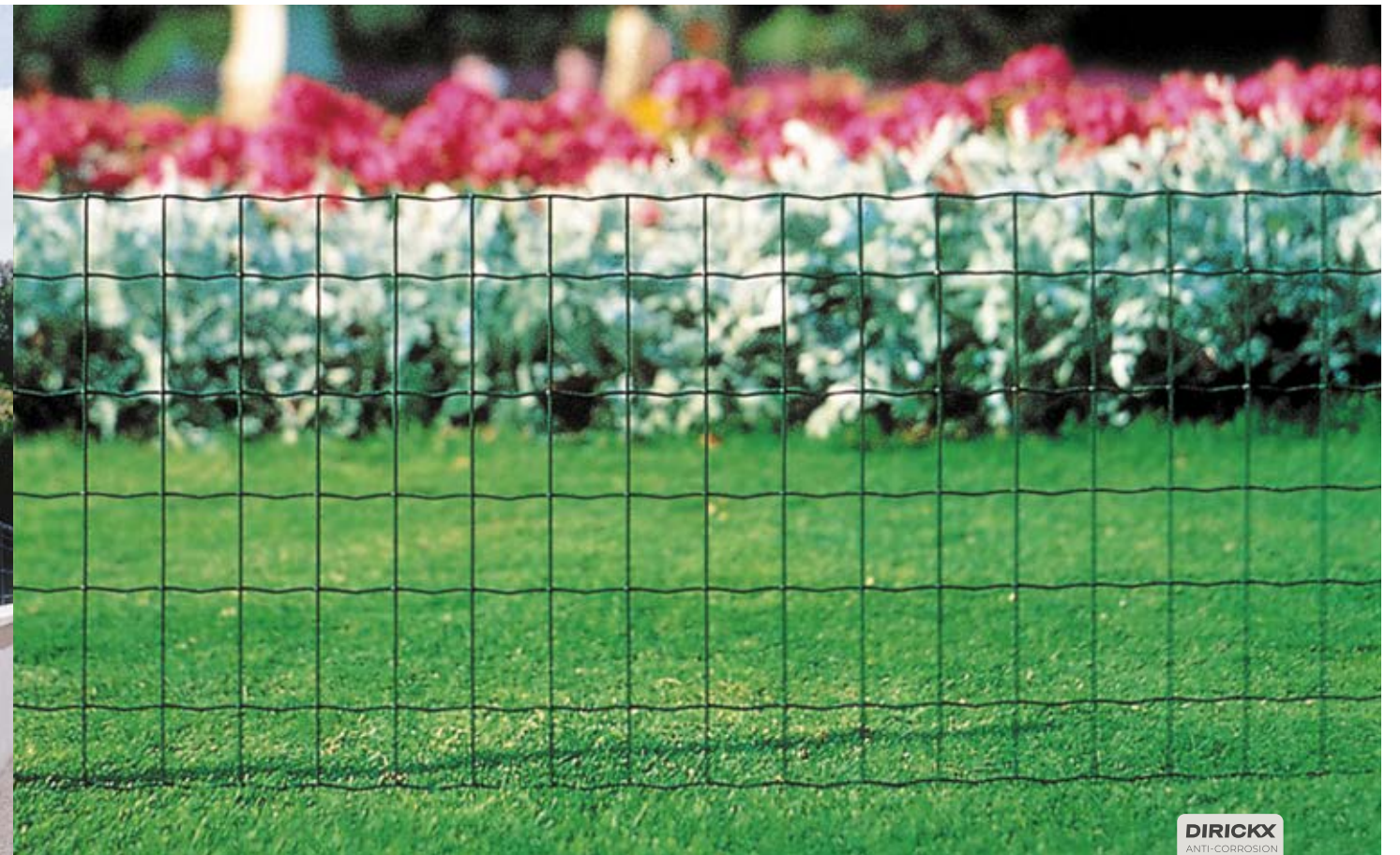
ADDITIONAL PRODUCTS



T and Long-Life T post (see p. 84 to 87).



UNIVERS post (see p. 88 to 93).



DIRICKX ANTI-CORROSION GUARANTEE

10 YEARS PVC

For marking out and protecting your borders

EDGING

AXIAL[®] BOUNDARY

PRIVATE HOMES



STYLE

- Sturdy flexible mesh to fit the shape of your garden.
- 76.2 x 101.6mm welded rectangular mesh.

INSTALLATION

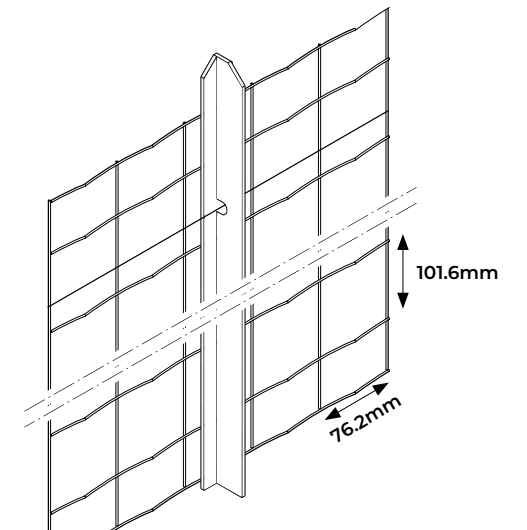
- With T, TE or UNIVERS posts (see p. 84 to 93).

FINISH

- Galvanised steel with high adherence plastic coating,

FEATURES

- Heights: 0.40 / 0.60 / 0.80m
- Length: 25m
- Colours: Green 6005 ●



ADDITIONAL PRODUCTS



T and Long-Life T post (see p. 84 to 87).



UNIVERS post (see p. 88 to 93).

WIRE DIA. (mm)	FENCE HEIGHT (m)	MESH HEIGHT & WIDTH (mm)	COMPATIBLE POSTS	ROLL LENGTH (m)
Vertical: 2.20	0.40	101.6 x 76.2	T, TE & UNIVERS posts	25
Vertical: 2.20	0.60			
Horizontal: 2.10	0.80			



Traditional fence with diamond meshing – recommended for undulating ground

FENCES

CHAINLINK FENCE

PRIVATE HOMES



PUBLIC AREAS



INDUSTRIAL & LOGISTICS SITES



SERVICE SECTOR SITES



SENSITIVE SITES



KEEPS ITS SHAPE AND CAN BE REPAIRED

- Flexible twisted mesh absorbing impact.
- By looping, it is possible to form a continuous sheet without any joins:
 - easy to join 2 rolls together,
 - simple to repair.

VERSATILE

- Wide variety of coatings, wire diameters and heights available meeting various requirements in terms of resilience and budget.

ADAPTABILITY

- Can be installed on uneven, undulating or sloping ground.
- 2 types of packaging:
 - compacted roll, which is easier to transport and store,
 - uncompact roll, which is easier to unroll.

INSTALLATION

- With TE, Long-life T, T Pro and Univers posts (see p. 84 to 93).

FEATURES

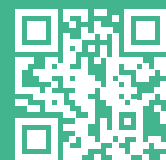
- 50 × 50mm diamond mesh



Compacted roll



Uncompact roll



Scan this QR code to watch a video on how to install the chainlink mesh with a UNIVERS post

TECHNICAL FEATURES



PLASTIC-COATED CHAINLINK

Extruded finish. Manufacturing process: galvanised steel wire covered with a PVC plastic sheath.

MODEL	WIRE DIA. (mm)	FENCE HEIGHT (m)	PACKAGING	COLOURS	APPLICATIONS
PLASTEX® Premier 5024	2.40	1.00 / 1.20 / 1.50 1.75 / 2.00	25m compacted roll	Green 6005 Grey 7016	Public areas Industrial sites
PLASTEX® Classic 5027	2.70	1.00 / 1.20 / 1.50 1.75 / 2.00	25m compacted roll	Green 6005	Sensitive sites
PLASTEX® 5044	4.40	1.00 / 1.20 / 1.50 1.75 / 2.00 / 2.50	18m uncompact roll	Green 6005	

FLUIDISED CHAINLINK

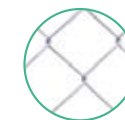
A manufacturing process ensuring absolute adherence between the PVC and steel wire. With an equivalent external wire diameter, the (steel) internal wire diameter of fluidised wire is greater than that of extruded wire.



MODEL	WIRE DIA. (mm)	FENCE HEIGHT (m)	PACKAGING	COLOURS	APPLICATIONS
FLUIDEX Pro 5044	4.40	1.00 / 1.50 / 2.00 2.50 / 3.00	25m uncompact roll	Green 6005	Public areas Industrial & logistics sites Sensitive sites

GALVANISED CHAINLINK

A cost-effective solution for unchallenging environments.



MODEL	WIRE DIA. (mm)	FENCE HEIGHT (m)	PACKAGING	APPLICATIONS
GALVEX Premier 5020	2.00 Galva B*	1.00 / 1.20 / 1.50 / 2.00	25m compacted roll	Private homes
GALVEX Classic 5022	2.20 Galva C*	1.00 / 1.20 / 1.50 1.75 / 2.00 / 2.50	25m semi-compact roll	
GALVEX Strong 5030	3.00 Galva C*		25m uncompact roll	Public areas Industrial & logistics sites Sensitive sites
GALVEX Heavy 5039	3.90 Galva C*			

* According to standard NF A91-131



DIRICKX
ANTI-CORROSION
GUARANTEE

10 YEARS
PVC

The ideal
fencing for
boundaries

WELDED MESH ROLLS

AXIAL®

PRIVATE
HOMES



HOUSING
COMPLEXES



DURABILITY

- Very rigid due to welded crimped meshing.
- Fluidised fencing: manufacturing process ensuring adherence between the PVC and steel wire for optimal protection.
- 10-year anti-corrosion guarantee in any environment.

STYLE

- **AXIAL®** mesh roll fencing is discreet and blends into the environment.

CHOICE

- 3 mesh varieties: the tighter the mesh, the more rigid and resilient the fence.

INSTALLATION

- Recommended for level ground.
- 2 types of installation:
 - traditional, with T post + accessories,
 - fence simply clips to the UNIVERS POST.

FEATURES

- Wire diameter: 2.10mm
- Height: 1 to 2m
- Colours: Green 6005 ● or Grey 7016 ●

ADDITIONAL PRODUCTS



T and Long-Life T post
(see p. 84 to 87).



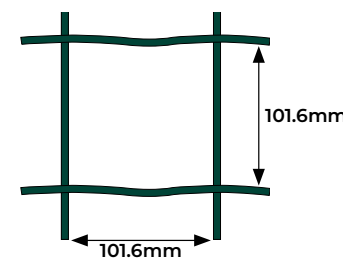
UNIVERS post
(see p. 88 to 93).



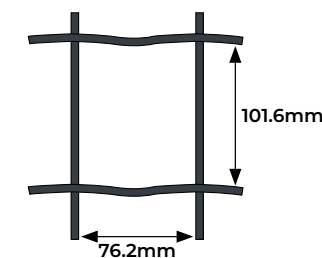
ECO GARDEN gate
(see p. 148 to 149).

TECHNICAL FEATURES

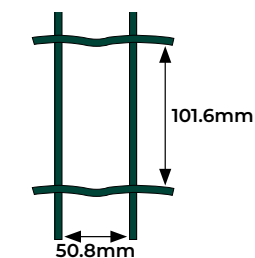
AXIAL® Mesh 100



AXIAL® Mesh 75



AXIAL® Mesh 50



MODEL	WIRE DIA. (mm)	MESH (mm)	HEIGHT (m)	LENGTH (m)	COLOURS	RECOMMENDATIONS
AXIAL® Mesh 100	2.10	101.6×101.6	1.00 / 1.20 / 1.50	20	Green 6005	TE post Long-life T post UNIVERS post
AXIAL® Mesh 75		101.6×76.2	1.00 / 1.20 / 1.50		Green 6005	
AXIAL® Mesh 50		101.6×50.8	1.00 / 1.20 / 1.50 1.80 / 2.00	25	Grey 7016	

FITTING TIPS

Scan this QR code to watch a video showing you how to install the fence



Accessories and tools for installing a fence.



Strainers, tension wire, staples and stapler.



DIRICKX ANTI-CORROSION GUARANTEE

10 YEARS PVC

WELDED MESH ROLLS

AXIAL® MESH 50 PREMIUM

DURABILITY

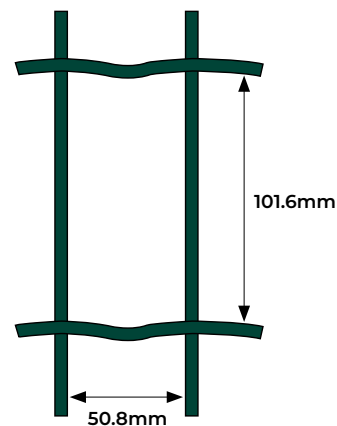
- Highly rigid due to the combination of 2.5mm wire and 101.6mm x 50.8mm welded crimped meshing.
- Fluidised fencing: a manufacturing process ensuring absolute adherence between the PVC and steel wire.
- 10-year anti-corrosion guarantee in any environment.

INSTALLATION

- Recommended for level ground.
- 2 types of installation:
 - traditional, with T post + accessories,
 - fence simply clips to the **UNIVERS post**.

FEATURES

- Wire diameter: 2.50m
- Height: 1 to 2m
- Colours: Green 6005 ●



ADDITIONAL PRODUCTS



TE and Long-Life T post (see p. 84 to 87).



UNIVERS post (see p. 88 to 93).

MODEL	FINISH	WIRE DIA. (mm)	MESH (mm)	HEIGHT (m)	ROLL LENGTH
AXIAL® Mesh 50 Premium	Green plastic-coated	2.50	101.6x50.8	1.00 / 1.20 / 1.50 / 1.80 / 2.00	25m



DIRICKX ANTI-CORROSION GUARANTEE

10 YEARS PVC

WELDED MESH ROLLS

BASTILLE® PARC

RESILIENT

- The result of combining tight mesh (50.8mm x 50.8mm) with large diameter wire (3mm).
- The tight crimped mesh with the crimps facing downward (which makes climbing more difficult) makes **BASTILLE® Parc** the best welded mesh fencing for security applications.

DETERRENT

- Defensive spikes at the top (25.4mm).
- Very high, up to 2.50m.
- Extension arm option on **Univers post** (see p. 208 to 209).

INSTALLATION

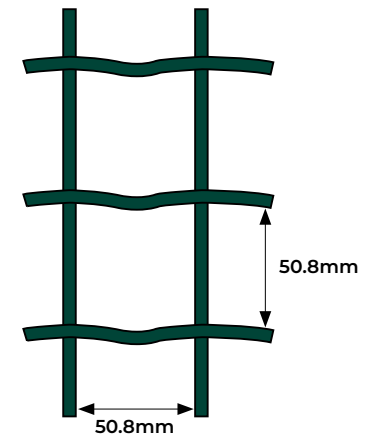
- Recommended for level ground.
- Fencing simply clips to the rabbet of the **UNIVERS post** for a quick installation with minimal attachments.

DURABILITY

- Fluidised fencing: a manufacturing process ensuring absolute adherence between the PVC and steel wire. 10-year anti-corrosion guarantee in any environment.

FEATURES

- Wire diameter: 3.00m
- Height: 1 to 2.50m
- Colours: Green 6005 ●



ADDITIONAL PRODUCTS



UNIVERS post (see p. 88 to 93).



UNIVERS post + extension arms (see p. 208 to 209).

MODEL	WIRE DIA. (mm)	MESH (mm)	HEIGHT (m)	ROLL LENGTH
BASTILLE® Parc	3.00	50.8x50.8	1.00 / 1.20 / 1.50 / 1.80 / 2.00 / 2.50	25m

The cost-effective solution combining rigidity and security to protect industrial sites

PUBLIC AREAS



INDUSTRIAL & LOGISTICS SITES



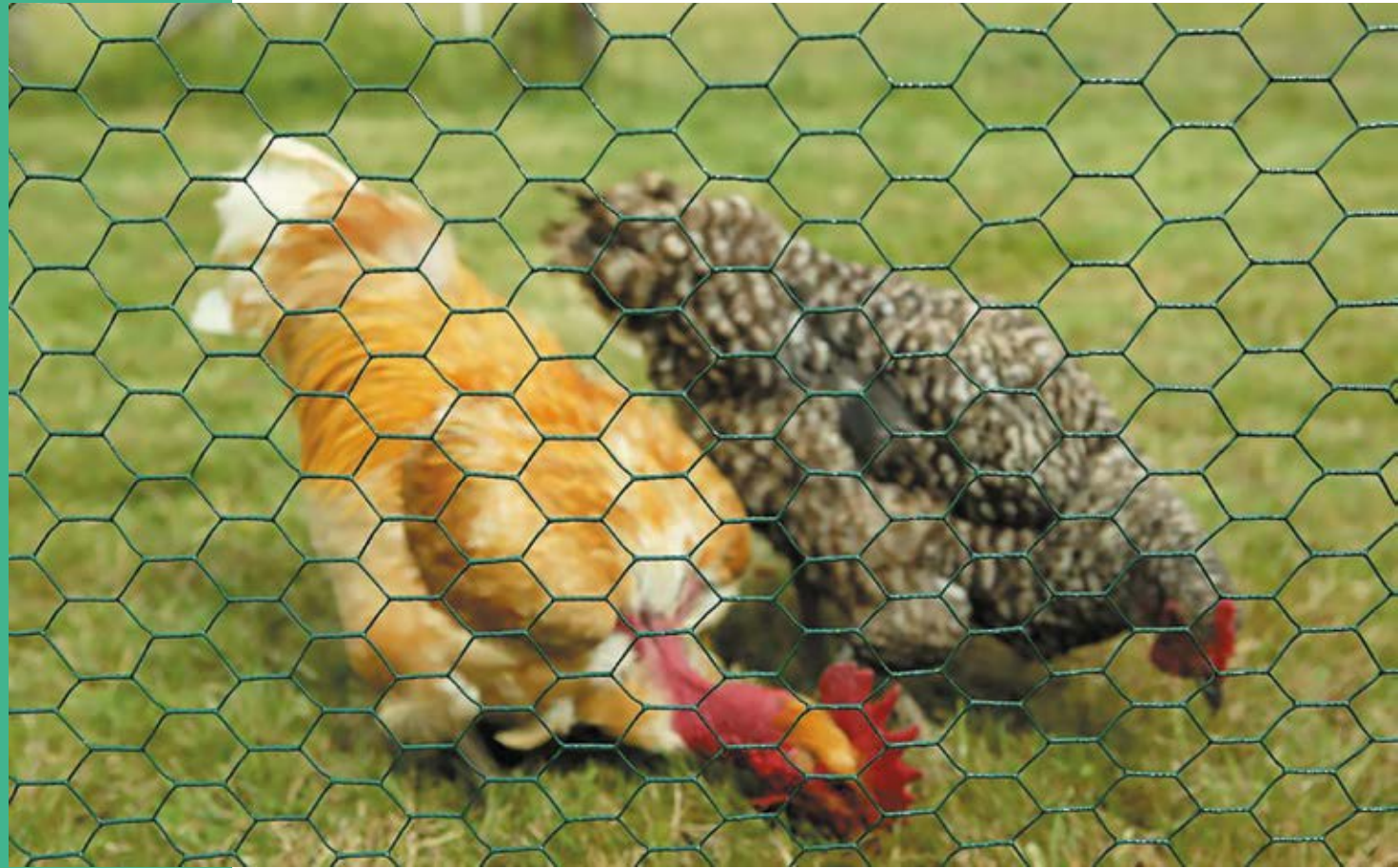
Mesh roll security fencing

PUBLIC AREAS



INDUSTRIAL & LOGISTICS SITES





Triple hexagonal mesh for securing aviaries, henhouses and hutches and protecting seedlings

AGRICULTURAL APPLICATIONS

TTX

EASY INSTALLATION

- The fence's flexibility makes it easy to unroll and set up.
- Lower section of the fence can be embedded.

CHOICE

- Wide variety of wire diameters, mesh, heights and packaging units.
- "Special aviary" application: produced with a single 2m high sheet.
- 2 finishes: Green 6005 plastic-coated high adherence on untreated base, or galvanised after manufacture.

FEATURES

- Meshes: 13/20/25 or 40mm
- Wire diameter: 0.70 / 0.80 / 0.90mm
- Height: 0.50 to 2m
- Colours: Green 6005 ● or Galvanised ●

FINISH	MESH (mm)	FENCE HEIGHT (m)	WIRE DIA. (mm)	PACKAGING	INSTALLATION ACCESSORY
Green RAL 6005 plastic-coated	13	0.50 / 1.00	0.90	10 or 25m roll	DIRICKX staples 
	25	0.50 / 1.00	0.90	25m roll	
		1.50			
Galvanised	13	0.50 / 1.00	0.70	10 or 25m roll	
	20	0.50 / 1.00		25m roll	
	25	0.50	0.80	10 or 25m roll	
		1.00		10, 25 or 50m roll	
		1.50		25 or 50m roll	
	40	0.50 / 1.00	0.90	10 or 50m roll	
1.50 / 2.00		50m roll			

Welded mesh for henhouses, enclosures, DIY and decoration

AGRICULTURAL APPLICATIONS

ARAVIS

EFFICIENT PROTECTION


Small welded rigid mesh structure.

CHOICE

- Various wire and mesh diameters.
- 2 finishes:
 - Green 6005 high adherence plastic coating on galvanised steel,
 - galvanised after manufacture.

FEATURES

- Meshes: 13 × 13 or 19 × 19mm
- Wire diameter: 0.80/0.90 or 1.40mm
- Height: 0.50 to 1.50m
- Colours: Green 6005 ● or Galvanised ●

FINISH	MESH (mm)	FENCE HEIGHT (m)	WIRE DIA. (mm)	PACKAGING	INSTALLATION ACCESSORY	
Green RAL 6005 plastic-coated	13 × 13	0.50	0.90	5 or 10m roll	DIRICKX staples 	
		1.00				
		1.50		10m roll		
Galvanised after manufacture		19 × 19	0.50	0.80		10 or 25m roll
			1.00			
			1.00	1.40		25m roll



Welded fence, specially designed for livestock, hunting and forest park boundary demarcation

AGRICULTURAL APPLICATIONS

ARIZONA PF PARKS & FORESTS

RESILIENT

- The diameter of the wires (3mm, reinforced to 3.4mm on edges) gives the fence sturdiness against impact and pushing by animals.
- More resistance to pushing thanks to mesh gradually tightened towards the base.
- A special model: the 245-18-15cm model, embedded by 45cm to prevent breaching by burrowing animals.

SUITABLE FOR LONG LENGTHS

- Cost-effective.
- Roll length of 100lm as required.

FEATURES

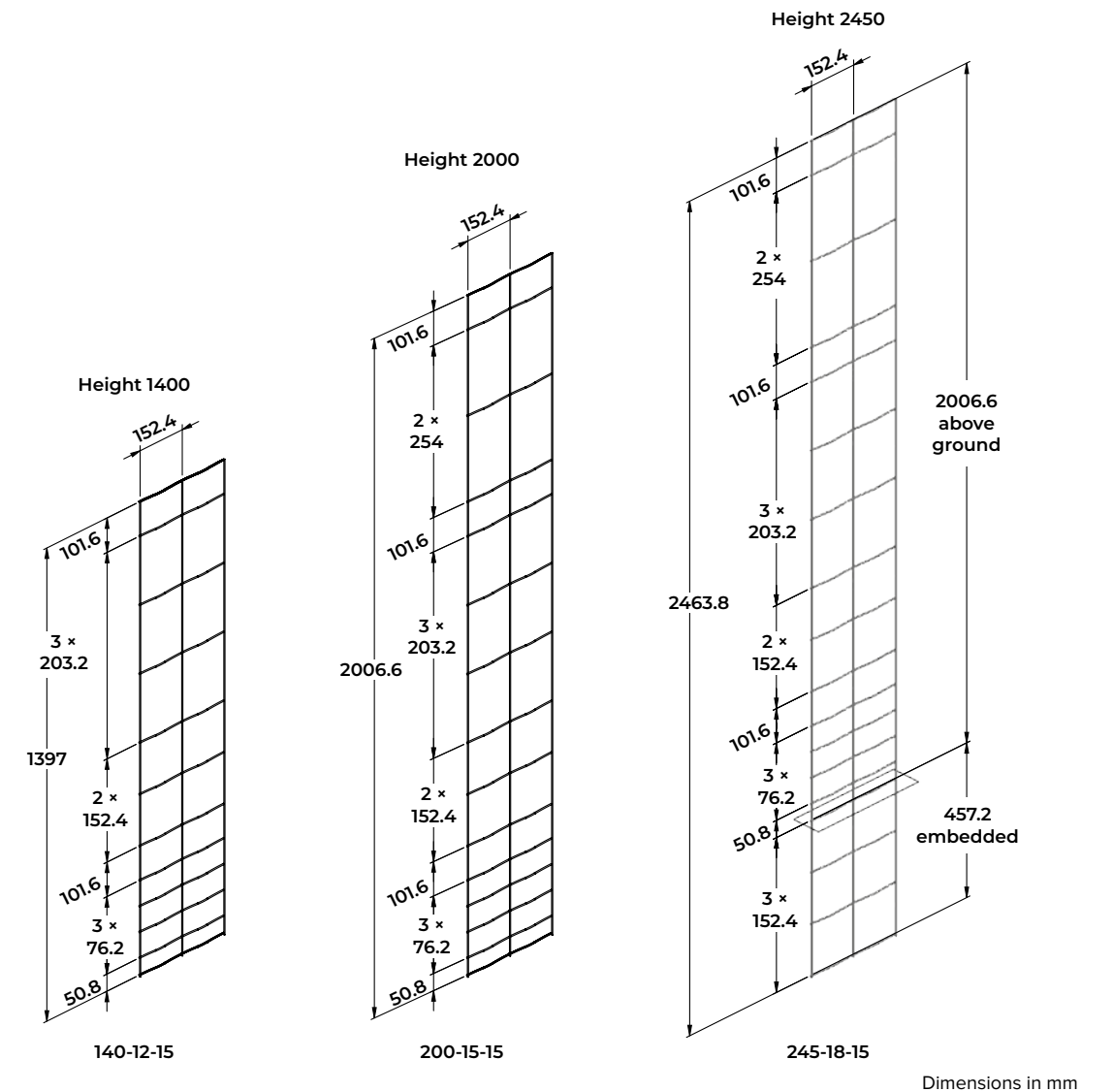
- Mesh: 150mm
- Wire diameters: 3.4mm for edges, 3mm for other wire
- Finish: Rich galvanised

STAPLES

DIRICKX staples are essential accessories for installing barbed wire, cables, wire coils, and **ARIZONA** and **AGRICLOS**® fencing on wooden posts. They provide a secure and lasting attachment. 3 lengths are available: 30, 35 and 40mm in a galvanised finish.



TECHNICAL FEATURES



How to read the following caption: 140-12-15?

140 = fence height in cm,
 12 = number of horizontal wires,
 15 = mesh width in cm.

FINISH	MESH WIDTH (mm)	WIRE DIA. (mm)	PRICING REFERENCE	PACKAGING
Galvanised	150	Edge wires: 3.40 Other wires: 3.00	140-12-15 / 200-15-15 / 245-18-15	50lm roll

PLEASE CONTACT US FOR MORE INFORMATION

A wide variety of other models can also be produced.
 • Roll length of 100lm as required.



Particularly suitable for protecting crops, roads and railways

AGRICULTURAL APPLICATIONS

ARIZONA AVF MOTORWAYS & RAILWAYS

VERSATILE

- Wide range of dimensions and configurations to suit different applications.

RESILIENT

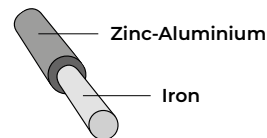
- High resistance to pushing thanks to mesh gradually tightened towards the base.
- Sturdiness, rigidity, resistance to impacts and corrosion.
- Also suitable for wildlife parks, hunting reserves, logistics centres, etc.
- Compliant with standard EN 10223-4 and with the recommendations of SETRA (French transport, roads and development services) for mesh of type 3-4.
- 250-20-15 model, embedded by 40cm to prevent breaching by burrowing animals.
- The aluminium provides additional passive protection by covering the zinc, thereby extending its sacrificial protection.

SUITABLE FOR LONG LENGTHS

- Cost-effective.
- Roll length of 100lm as required.

FEATURES

- Mesh: 150mm
- Wire diameters: 3.4mm for edges, 3mm for other wire
- Finish: Zinc-Alu 5 times more resistant to corrosion than a rich galvanised finish

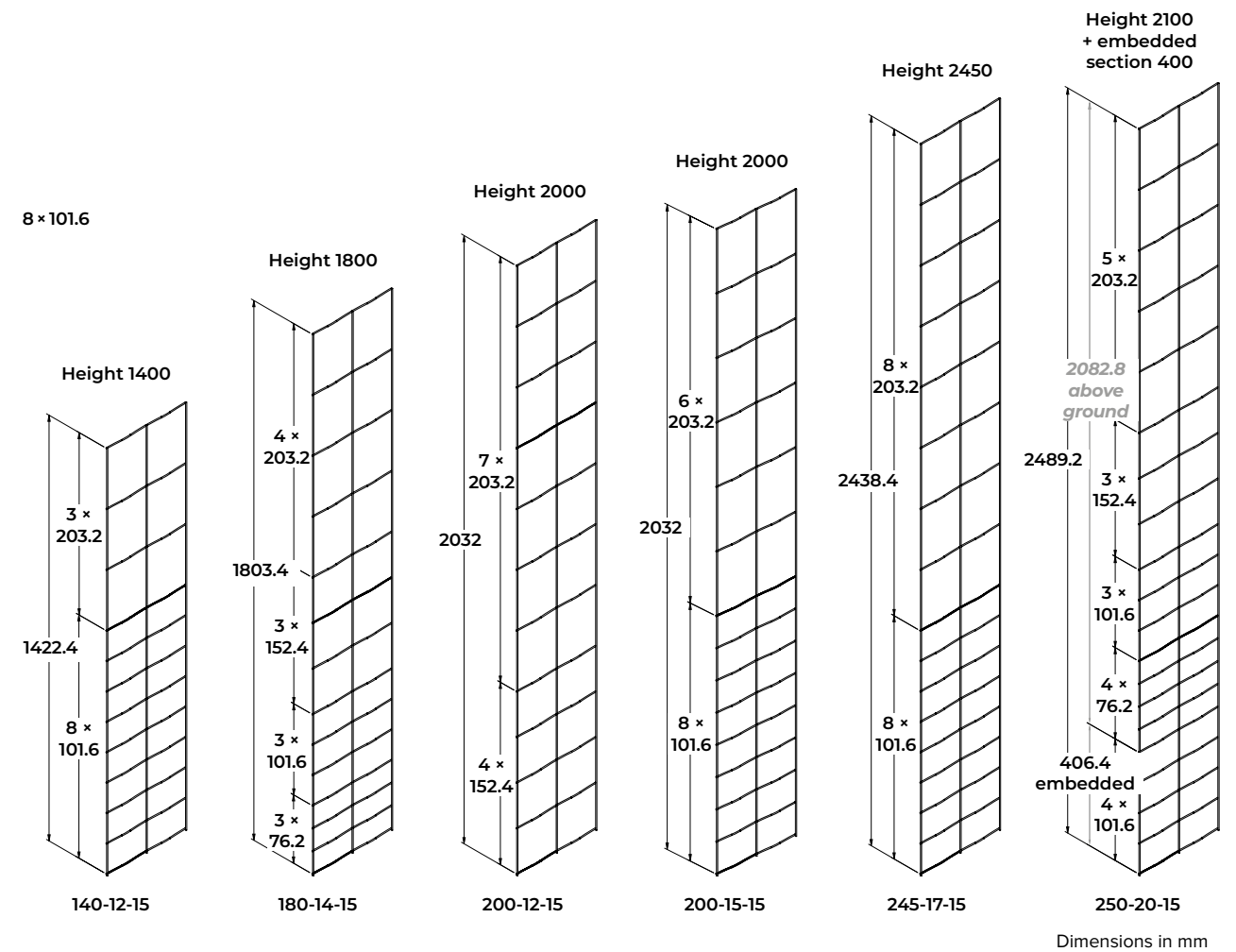


STAPLES

DIRICKX staples are essential accessories for installing barbed wire, cables, wire coils, and **ARIZONA** and **AGRICLOS®** fencing on wooden posts. They provide a secure and lasting attachment. 3 lengths are available: 30, 35 and 40mm in a galvanised finish.



TECHNICAL FEATURES



How to read the following caption: 140-12-15?

- 140 = fence height in cm,
- 12 = number of horizontal wires,
- 15 = mesh width in cm.

MODEL	HEIGHT (cm)	LENGTH (m)	WEIGHT (kg)	ROLLS PER PALLET
140-12-15	142.3	50	59.2	6
180-14-15	180.3		71.2	
200-12-15	203.2		70.0	
200-15-15			78.0	
245-17-15	243.8		90.4	
250-20-15	248.9		99.3	

PLEASE CONTACT US FOR MORE INFORMATION

A wide variety of other models can also be produced.

- Roll length of 100lm as required.



For enclosing livestock areas and protecting newly planted sites

AGRICULTURAL APPLICATIONS

AGRICLOS®

EFFECTIVE BOUNDARIES

- Knotted mesh gradually tightened downwards.
- Crimped to prevent the wires slipping.
- Larger wire diameter at edges.

VERSATILE

- Suitable for all terrains.

SECURITY

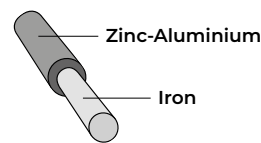
- Roll ends folded to prevent any injuries or cuts.

CORROSION RESISTANCE

- Made with rich Class A galvanised steel to standard NF A91-131.

FEATURES

- Mesh: 150mm
- Wire diameter: 1.95 or 2.45mm
- Height: 0.60 to 2m
- Finish: Rich galvanised ●

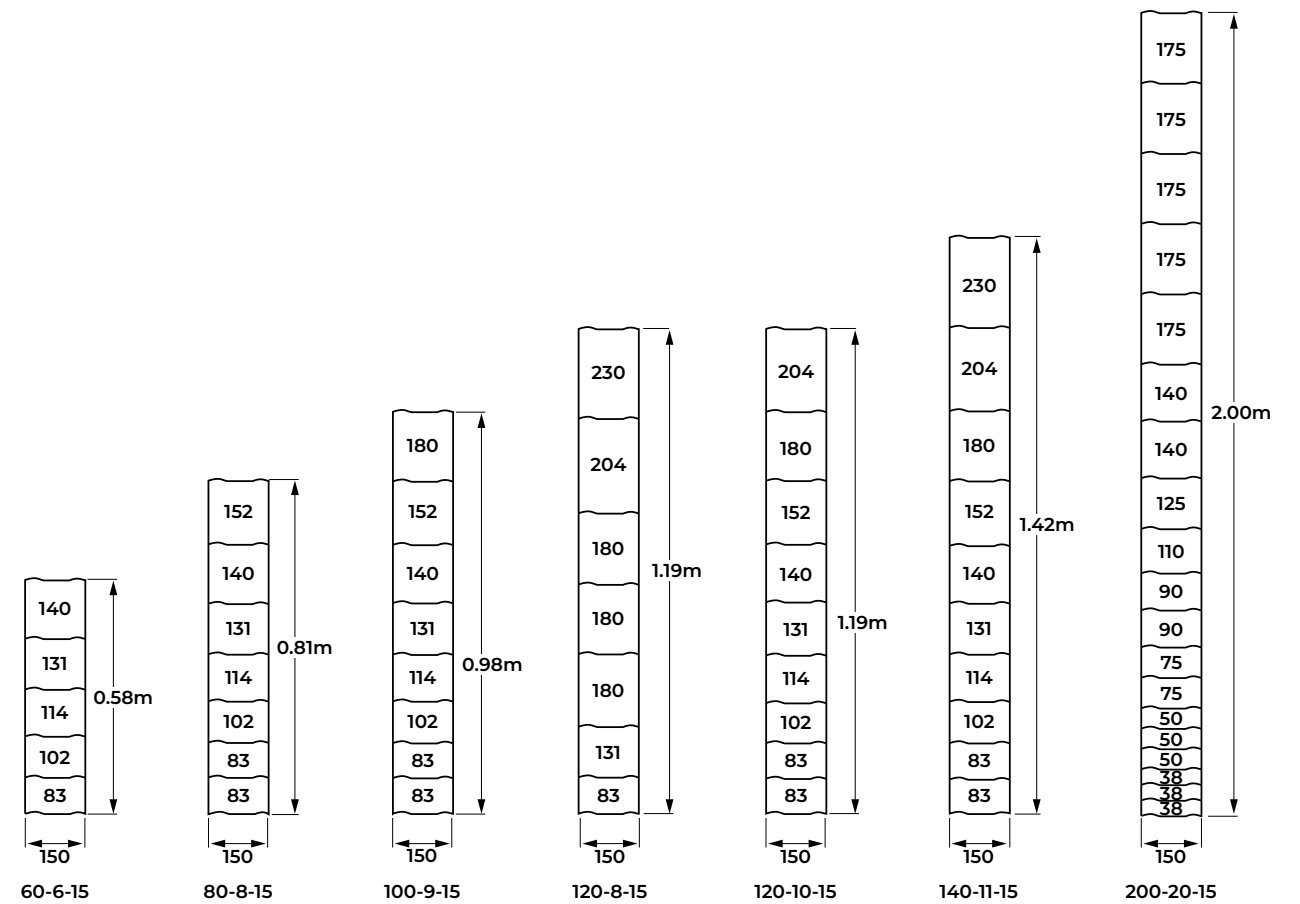


STAPLES

DIRICKX staples are essential accessories for installing barbed wire, cables, wire coils, and **ARIZONA** and **AGRICLOS®** fencing on wooden posts. They provide a secure and lasting attachment. 3 lengths are available: 30, 35 and 40mm in a galvanised finish.



TECHNICAL FEATURES



Dimensions in mm

How to read the following caption: 200-20-15?

200 = fence height in cm,
20 = number of horizontal wires,
15 = mesh width in cm.

FINISH	WIRE DIA. (mm)	HEIGHT (m)	MESH WIDTH (mm)	REFERENCE	POST	PACKAGING	INSTALLATION ACCESSORY
Rich galvanised	Edges: 2.45 Others: 1.95	0.58	150	60-6-15	Wooden post	50m roll	DIRICKX staples
		0.81		80-8-15			
		1.02		100-8-15			
		0.98		100-9-15			
		1.19		120-8-15			
		1.19		120-10-15			
		1.42		140-11-15			
		2.03		200-20-15			



For fences and pastures

AGRICULTURAL APPLICATIONS

RONCES BARBED WIRE & WIRE CABLES

BARBED WIRE

DEFENSIVE

- 2 twisted wires with 4-pronged defensive spikes at 10cm intervals.

STURDY

- The hard steel wire used to fence off the area (STRONGO® PLAZIAL) is very resistant to breakage).
- **Alternating twists block the spikes and stop them from slipping** (RONCE PROTECTO® barbed wire).

CONVENIENT PACKAGING

- Various possible roll lengths.
- Transport handle.

CHOICE

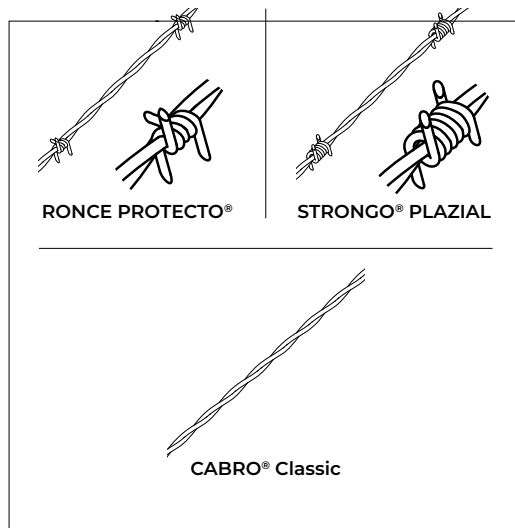
- 3 models.
- 2 steel types (mild or hard steel).
- 2 finishes (Class B rich and Class C regular galvanised) to standard NF A91-131.
- Various wire diameters.

WIRE CABLES

- Suitable for livestock with fragile coats (e.g. horses): no spikes.

FEATURES

- Wire diameters: 1.70 / 2.20 / 2.40 / 2.70mm
- 3 models
- 2 finishes: Galvanised ● rich or standard



TECHNICAL FEATURES



Wire cable

Barbed wire

FINISH	MODEL	WIRE DIA. (mm)	DESCRIPTION	STEEL TYPE	MAX. TENSION RESISTANCE (daN)*	MAX. LOAD CAPACITY (daN)*	STRETCH	PACKAGING	INSTALLATION ACCESSORY
Class C rich galvanised	RONCE PROTECTO® Classic	2.20	22-4-10	Mild	264	363	12%	100m roll	DIRICKX staples
		2.40	24-4-10		362	497		200m roll	
		2.70	27-4-10		458	629			
	STRONGO® PLAZIAL Classic	1.70	17-4-10	Hard	295	440	6%	250m roll	
Class B regular galvanised	CABRO Classic	2.40	2	Mild	362	497	12%	200m roll	
		2.70	2		687	944			
Class B regular galvanised	RONCE PROTECTO® Basic	2.20	22-4-10	Mild	264	363	15%	100m roll	
		2.40	24-4-10		377	518		200m roll	
		2.70	27-4-10		458	629			

* 1 daN = 1 kg

How to read the following caption: 22-4-10?

22 = wire dia. i.e. 2.2mm,
 4 = number of spikes on a prong,
 10 = space between 2 spiked prongs.

Ideal for electric fences

WIRE IN COILS

A WIDE RANGE

- 2 finish options.
- Several wire diameters.

EASY TO USE

- Packaged to make unrolling easier.



FINISH	WIRE DIA. (mm)	PACKAGING
Rich galvanised*	2.40 – 2.70	5kg coils (total 25kg)

*Class C galvanised to NF A91-131 or Class A to NF EN 10244-2.

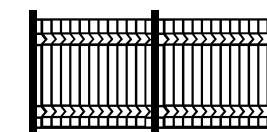


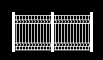


Rigid panel fencing and privacy fences are easy to maintain and install. They can be customised in various ways and provide a modern look.

RIGID PANELS & PRIVACY FENCING

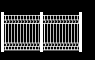
FOR ENHANCING AND SECURING HOUSING AND BUILDINGS.





SUMMARY TABLE OF POSSIBLE COMBINATIONS OF POSTS / PANELS / PRIVACY FENCES

POSTS	TE LONG-LIFE T POST T PRO	UNIVERS ROUND POST	REX RECTANGULAR POST WITH BRACKETS	AXYLE® H-SHAPED POST	AXOR® WITH SLOTS	AXIS® WITH SLOTS	COMPATIBLE PRIVACY FENCING SYSTEMS
MESH ROLL FENCING							
Boundary		-					-
Chainlink fence	✓		-	-	-	-	
Welded roll		✓					LIXO® Horizontal
FENCING MADE FROM LARGE-FOLD RIGID PANELS WITH CUT-OUTS							
AXOR® Classic				-	✓ Up to 1.70m		LIXO® LIXO® + Finish LIXO® Wood LIXO® Top LIXO® 3D
AXIS® S				✓			
AXIS® M	-	-			✓ Up to 1.20m	✓	
AXIS® C				-			
AXIS® SR			✓				LIXO®
FENCING MADE FROM SMALL-FOLD RIGID PANELS WITHOUT CUT-OUTS							
ARISTA		✓					LIXO® LIXO® + Finish LIXO® Horizontal LIXO® Wood LIXO® Top LIXO® 3D
AXYLE® MS	-		✓	✓	-	-	
AXYLE® CS							
FENCING MADE FROM SMALL-FOLD RIGID PANELS WITH CUT-OUTS							
AXYLE® MD					✓	✓	LIXO® - LIXO® + Finish - LIXO® Horizontal (with AXOR® post limited to fences with a height of 1.20m). See our recs on p. 107
AXYLE® CD					✓	✓	
FENCING MADE FROM FLAT RIGID PANELS WITHOUT CUT-OUTS							
AXOR® Chic					✓ Up to 1.70m		LIXO® LIXO® + Finish LIXO® Horizontal
AXIS® D	-	-	✓	✓		✓	
AXIS® DR					-		
PRIVACY FENCE COMMENTS							
	Not generally suitable	Not generally suitable	Only suitable for panels without cut-outs	Adapted reinforcement added	Height limited to 1.70m for panels of 2m in length Height limited to 1.20m for panels of 2.50m in length	Post suitable for privacy fences of up to 1.90m in height	



OUR SUGGESTED COMBINATIONS



AXIS® post



AXIS® C panel



LIXO® Top



AXYLE® post



AXYLE® CS panel



LIXO® 3D



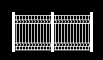
AXYLE® post



AXOR® Chic panel



LIXO® Horizontal



DIRICKX
ANTI-CORROSION
GUARANTEE
5 YEARS
POLYESTER

The cost effective solution for private homes

RIGID PANEL FENCING

ARISTA

PRIVATE HOMES



A COST-EFFECTIVE ALTERNATIVE

- Small-fold rigid panel, versatile, compatible with:
 - **UNIVERS, REX, AXYLE**® posts (see p. 88 to 97),
 - **LIXO, LIXO® Horizontal, LIXO® + Finish** and **LIXO® 3D** privacy systems (see p. 70 to 77).

EASY INSTALLATION

- Traditional installation (UNIVERS and REX posts):** all posts embedded and panels slotted on:
- limited adjustments,
 - steps can be adjusted to the required size.
- **Installation in forward sequence** with the **AXYLE**® H-shaped post.

FEATURES

- Uncut panel with small folds
- High adherence polyester-coated galvanised steel wire
- Panel width: 1985mm
- Mesh: 200 x 55mm
- Wire diameter: 4mm
- Colours: Green 6005 ● and Grey 7016 ●

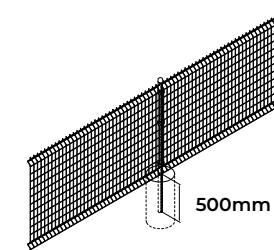
TECHNICAL FEATURES

FENCE HEIGHT (m)	PANEL WIDTH (mm)	NUMBER OF FOLDS	UNIVERS POST		REX POST	AXYLE® POST		COMPATIBLE PRIVACY FENCING	COMMENTS
			EMBEDDED	BASE-PLATED	EMBEDDED	EMBEDDED	BASE-PLATED		
0.60	1985	2	1.10	0.70	–	1.00	–	LIXO® LIXO® Horizontal small-fold kit	Privacy fencing only with REX and AXYLE® posts
1.00			1.50	1.00	1.50	1.50	1.00	LIXO® LIXO® Horizontal small-fold kit LIXO® + Finish	
1.20			1.75	–	1.70	1.50*	LIXO® LIXO® Horizontal small-fold kit LIXO® + Finish		
1.50		3	2.00	–	2.00	2.00	1.50	LIXO® LIXO® Horizontal small-fold kit LIXO® + Finish	
1.70			2.20	–	2.20	1.70	LIXO® LIXO® Horizontal small-fold kit LIXO® + Finish		
1.90			2.40	2.50	2.40	2.00*	LIXO® LIXO® Horizontal small-fold kit LIXO® + Finish		
COMPATIBLE CONCRETE GRAVEL BOARD (mm)	–	–	1985	–	–	1980	–	–	–

INSTALLATION CONFIGURATIONS

INSTALLATION BY EMBEDDING

- Most common choice for standard terrain.



BASE PLATE INSTALLATION

Aluminium plate suitable for installation on a wall* or on the ground for fences of up to 1m above ground.

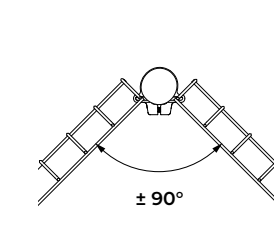


* Depending on the type of wall.

If installing on gravel board, add 25 or 50cm depending on configurations to the length of the post to be embedded.

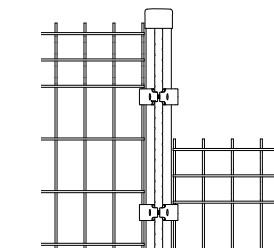
ANGLE

- Angle management $\geq 90^\circ$: accurate to a mm due to the clamp.



STEPS

- On-site step adjustment: accurate to the mm due to the collar clamp



POSTS & ASSOCIATED ACCESSORIES



UNIVERS
POST

UNIVERS post (see p.88 to 93).



REX
BRACKET POSTS

REX bracket post (see p. 94 - 95).



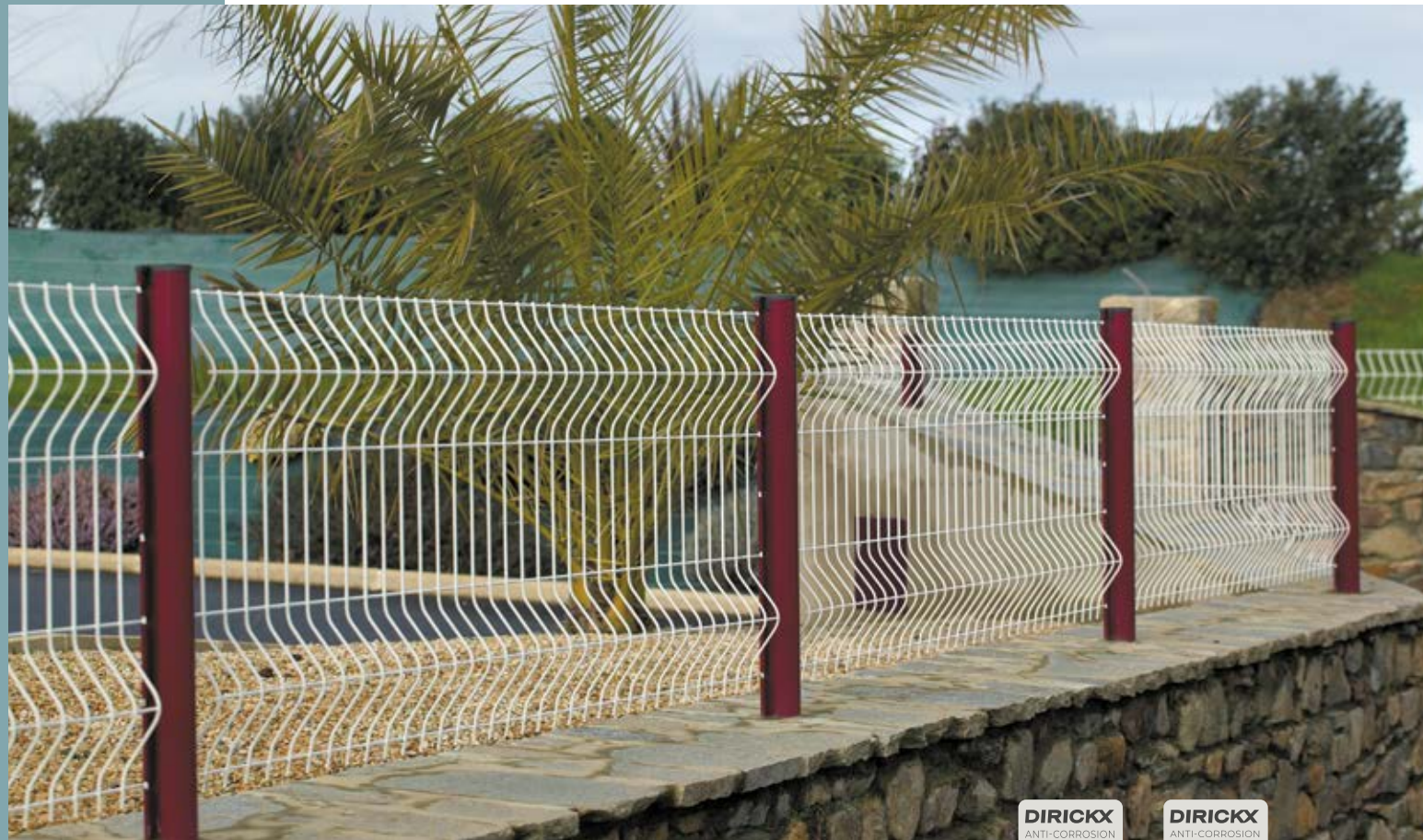
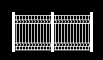
AXYLE
POST

AXYLE® post (see p.96 - 97).

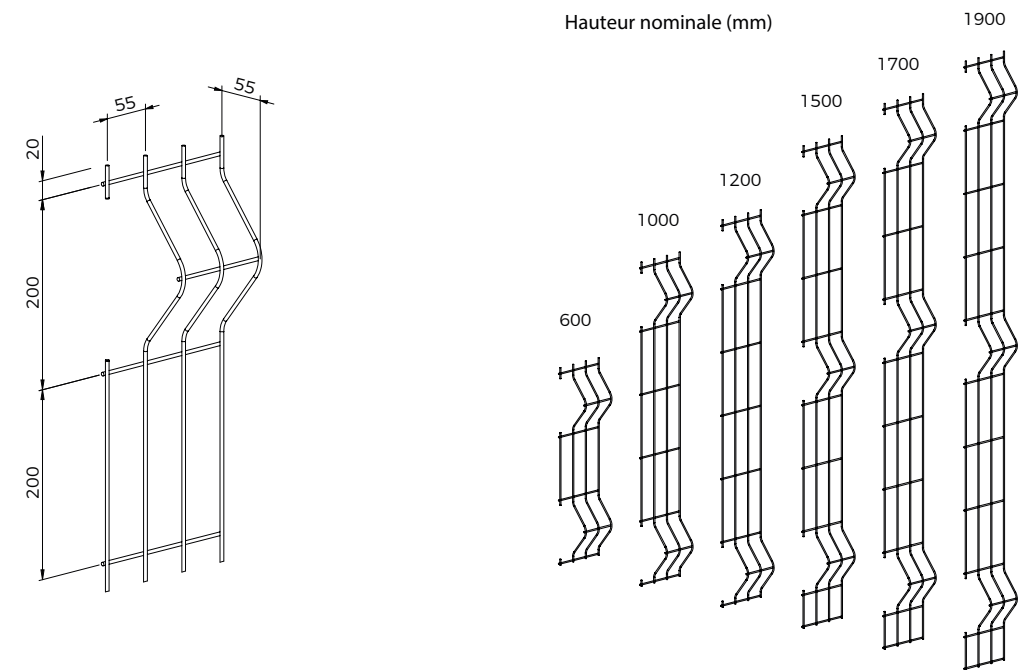


JOINING COLLAR CLAMP WITH ECO GARDEN GATE

ECO GARDEN gate (see p.148 - 149).



TECHNICAL FEATURES



The classic panel in the range

RIGID PANEL FENCING AXOR® CLASSIC



STURDY

- Panels with large folds for more rigidity.
• Defensive spikes.

QUICK AND EASY TO INSTALL

- Installation in forward sequence, no accessories required, with slotted posts: panel hooks into the slots in the post.
• A single post for all configurations: start and end, intermediate section, corner, etc.
• Suitable for all terrains: curved, angled or sloping premises.
• Wide range of possible configurations: on base plates, on walls, with concrete gravel boards.

FEATURES

- Cut-away panel with large folds
• High adherence polyester-coated galvanised steel wire
• Panel width: 1985mm
• Mesh: 200 x 55mm
• Wire diameter: 4mm

CUSTOMISATION

- 6 standard colours
• 200 RAL colours.
• Matt and textured finishes.
• Compatible with the following privacy systems: LIXO®, LIXO® + Finish, LIXO® Wood and LIXO® Top

Table with columns: FENCE HEIGHT (m), PANEL WIDTH (mm), NUMBER OF FOLDS, AXOR® POST (EMBEDDED, ON WELDED PLATE), AXIS® POST (EMBEDDED, ON WELDED PLATE), COMPATIBLE PRIVACY FENCING (AXOR® POST, AXIS® POST), COMMENTS.

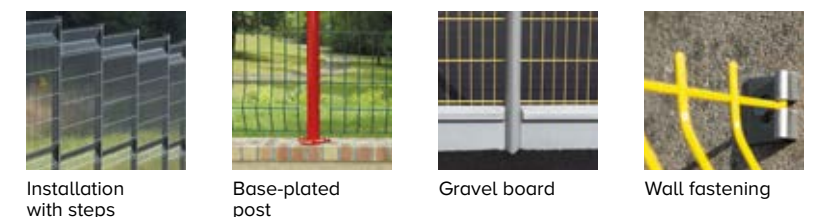
COMPATIBLE POSTS

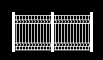


- AXOR® post (see p. 98 to 101).
• AXIS® post (see p. 102 to 106).

OPTIONS

- Installation with steps: calculate post length based on the required offset (10cm intervals).
• Installation on welded or removable base plates.
• Installation with concrete gravel board: use long-embedded posts + board height of 25 or 50cm.
• Wall fastening.





DIRICKX ANTI-CORROSION GUARANTEE 10 YEARS POLYESTER PROTECT+

The modern flat panel

RIGID PANEL FENCING

AXOR® CHIC

PRIVATE HOMES



STYLISH AND SECURE

- Panel without folds combining single vertical wires and double horizontal wires. Sleek design blends in seamlessly with modern housing. Unique on the residential market.

QUICK AND EASY TO INSTALL

- Installation in forward sequence without accessories with AXOR® and AXIS® slotted posts (the panel slots into grooves on the post). Installation in forward sequence with the AXYLE® H-shaped post (panel attached to post using plastic or metal clips). Traditional installation with REX bracket posts. Suitable for all terrains: curved, angled or sloping premises. Wide range of possible configurations: on base plates, on walls, with concrete gravel boards.

FEATURES

- Flat panel High adherence polyester-coated galvanised steel wire Panel width: 1985mm Mesh: 200 x 55mm Wire diameter: 4.50mm

CUSTOMISATION

- 6 standard colours: [color swatches] 200 RAL colours. Matt and textured finishes. Compatible with the following privacy systems: LIXO® (see p. 70 - 71), LIXO® Horizontal flat panels kit (see p. 72 - 73), and LIXO®+ Finish (see p. 74 - 75).



TECHNICAL FEATURES

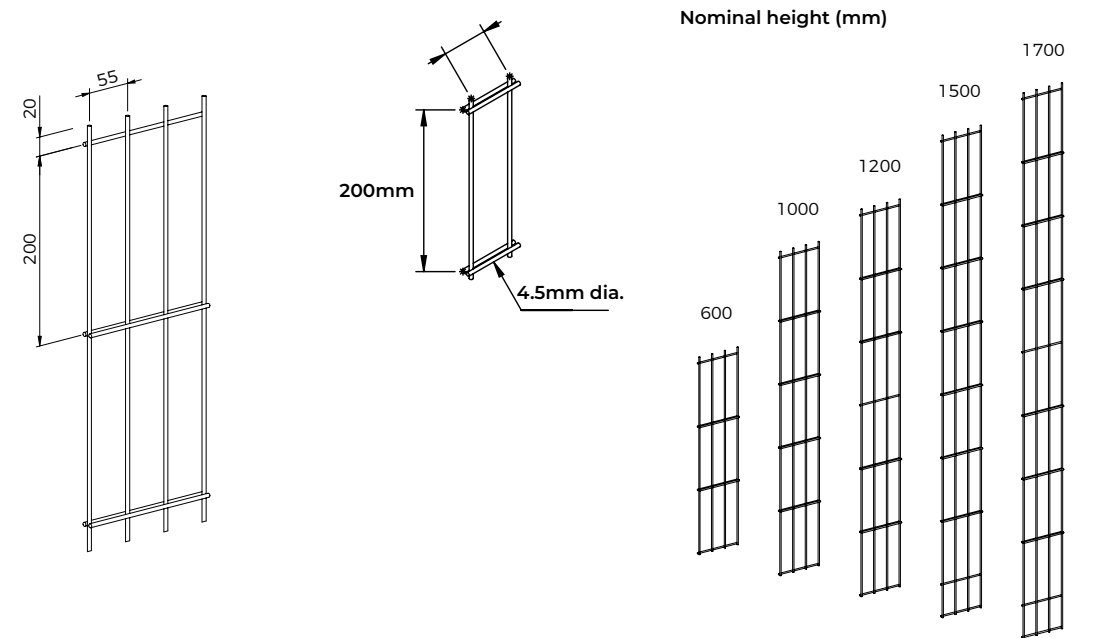
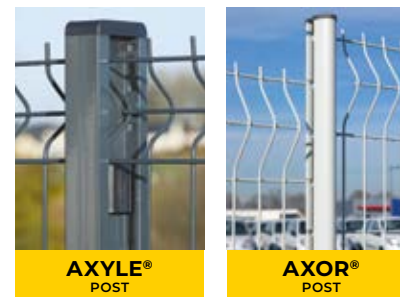


Table with columns: FENCE HEIGHT (m), PANEL WIDTH (mm), AXOR® POST (EMBEDDED, ON WELDED PLATE), AXIS® POST (EMBEDDED, ON WELDED PLATE), AXYLE® POST (EMBEDDED, BASE-PLATED WITH SLEEVE), REX POST (EMBEDDED), COMPATIBLE PRIVACY FENCING (AXOR® POST, AXIS®, AXYLE® AND REX POSTS), COMMENTS.

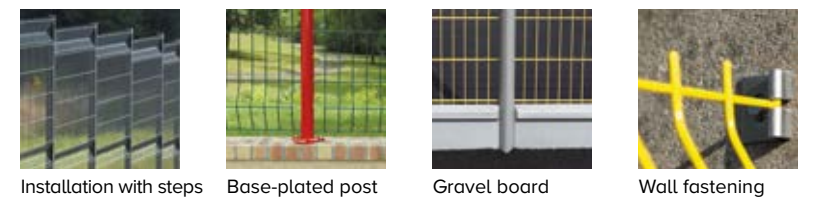
COMPATIBLE POSTS



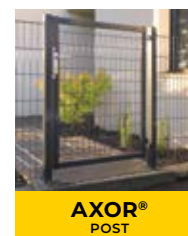
- REX post (see p. 94 - 95). AXYLE® post (see p. 96 - 97). AXOR® post (see p. 98 to 101). AXIS® post (see p. 102 to 106).

OPTIONS

- Installation with steps: calculate post length based on the required offset (10cm steps with the AXOR® / 2cm with the AXYLE® post). Installation on welded or removable base plates. Installation with concrete gravel board: use long-embedded posts + board height of 25 or 50cm. Wall fastening.



ADDITIONAL PRODUCTS



- LIXO® privacy systems (see p. 70 - 71). AXOR® swing gate (see p. 154 - 155).

THE DIRICKX SUGGESTION

Flat panel combined with LIXO® Horizontal privacy slats see p. 72 - 73



DIRICKX
ANTI-CORROSION
GUARANTEE
10 YEARS
POLYESTER
DIRICKX
ANTI-CORROSION
GUARANTEE
PROTECT +

Cost-effective
boundaries

RIGID PANEL FENCING

AXIS® S

**HOUSING
COMPLEXES**



**PUBLIC
AREAS**



**SERVICE
SECTOR SITES**



BOUNDARIES

- Small mesh and thin wire for style and transparency.
- Large reinforcement folds to ensure the panel's rigidity.
- Defensive spikes.

QUICK AND EASY TO INSTALL

- Installation in forward sequence without accessories with **AXOR®** and **AXIS®** slotted posts (the panel slots into grooves on the post).
- Installation in forward sequence with the **AXYLE®** H-shaped post (panel attached to post using plastic or metal clips).
- Suitable for all terrains: curved, angled or sloping premises.
- Wide range of possible configurations: on base plates, on walls, with concrete gravel boards, surface mounting, earthing with **AXIS®** and **AXYLE®** posts.

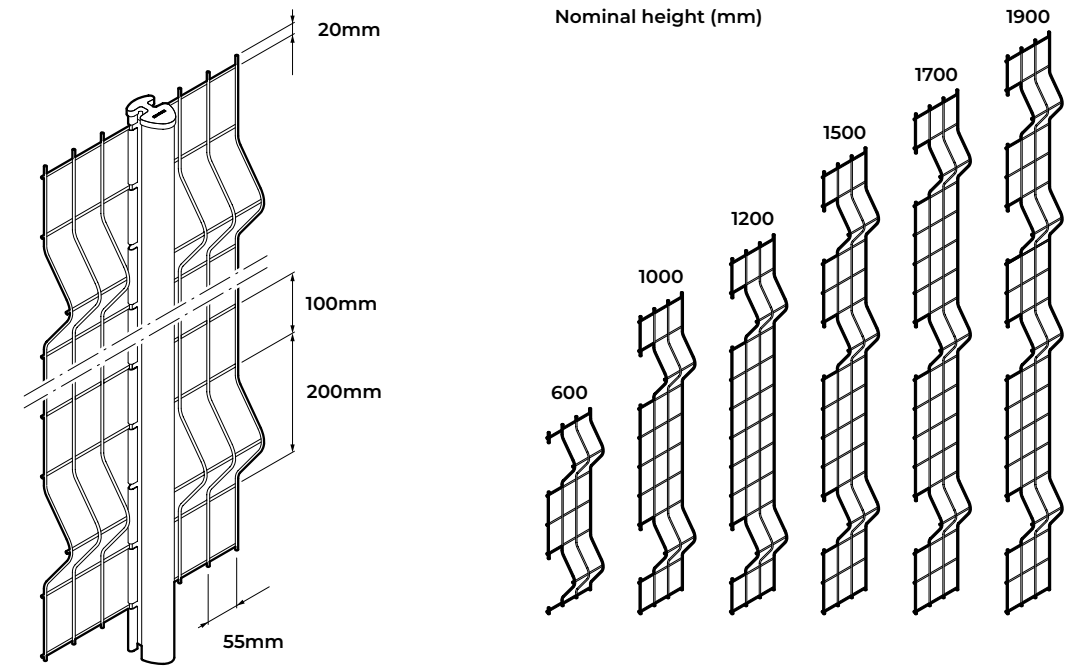
FEATURES

- Cut-away panel with large folds
- High adherence polyester-coated galvanised steel wire
- Panel width: 2480mm
- Mesh: 100 x 55mm
- Diameter of horizontal and vertical wires: 4mm

CUSTOMISATION

- **6 standard colours:** ●●●●●○
- 200 **RAL** colours.
- **Matt and textured finishes.**
- Compatible with the following privacy systems: **LIXO®** (see p. 70 - 71), **LIXO® + Finish** (see p. 74 - 75), **LIXO® Wood** (see p. 78 - 79) and **LIXO® Top** (see p. 80 - 81).

TECHNICAL FEATURES



FENCE HEIGHT (m)	PANEL WIDTH (mm)	NUMBER OF FOLDS	AXOR® POST		AXIS® POST		AXYLE® POST		COMPATIBLE PRIVACY FENCING			
			EMBEDDED	ON WELDED PLATE	EMBEDDED	ON WELDED PLATE	EMBEDDED	BASE-PLATED WITH SLEEVE	AXOR® POST	AXIS® POST	AXYLE® POST	
0.60	2480	2	1.10	0.65	-		1.00	1.00	LIXO®			
1.00			1.50	1.05	1.60	1.05	1.50		LIXO® LIXO® + Finish LIXO® Top			
1.20			1.70	1.25	1.80	1.25	1.70		-			
1.50		3	2.00	1.55	2.00	1.55	2.00	-	LIXO® LIXO® + Finish LIXO® Wood LIXO® Top			
1.70			2.20	1.75	2.20	1.75	2.20		1.70	-		
1.90			2.40	1.95	2.40	1.95	2.40		2.00	-		
COMPATIBLE CONCRETE GRAVEL BOARD (mm)	-	-	2500	-	-	-	2475	-	-	-	-	

COMPATIBLE POSTS



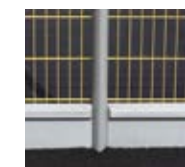
- **AXYLE®** post (see p. 96 - 97).
- **AXOR®** post (see p. 98 to 101).
- **AXIS®** post (see p. 102 to 106).

OPTIONS

- **Installation on welded or removable plates (AXOR® posts only).**
- **Installation with concrete gravel board:** use long-embedded posts + board height of 25 or 50cm (use **AXIS®** posts with 50cm boards).
- **Installation with steps:** calculate post length based on the required offset (10cm intervals).
- **Extension arms.**
- **Earthing with AXIS® and AXYLE® posts.**
- **Fence fastening bracket.**



Base-plated post



Gravel board



Installation with steps



Privacy fencing systems



Extension arms



Earthing



Fence fastening bracket



DIRICKX ANTI-CORROSION GUARANTEE 10 YEARS POLYESTER PROTECT +

Boundaries with a cost-effective large-fold panel

RIGID PANEL FENCING

AXIS® M

PRIVATE HOMES



HOUSING COMPLEXES



PUBLIC AREAS



SERVICE SECTOR SITES



SECURITY

- Large reinforcement folds to ensure the panel's rigidity.
- Defensive spikes.

DURABLE AND ATTRACTIVE

- The number of reinforcement folds increases according to the height of the panel, ensuring optimal rigidity.
- The thinner vertical wire gives greater subtlety to the end result.

QUICK AND EASY TO INSTALL

- Installation in forward sequence without accessories with **AXOR®** and **AXIS®** slotted posts: the panels slot into grooves on the posts.
- A single post for all configurations: start and end, intermediate section, corner, etc.
- Suitable for all terrains: curved, angled or sloping premises.
- Wide range of possible configurations: on base plates, on walls, with concrete gravel boards, surface mounting, earthing, etc.
- Can be installed with spikes on the upper or lower section (note: some privacy systems with a cap rail require installation with spikes on the lower section).

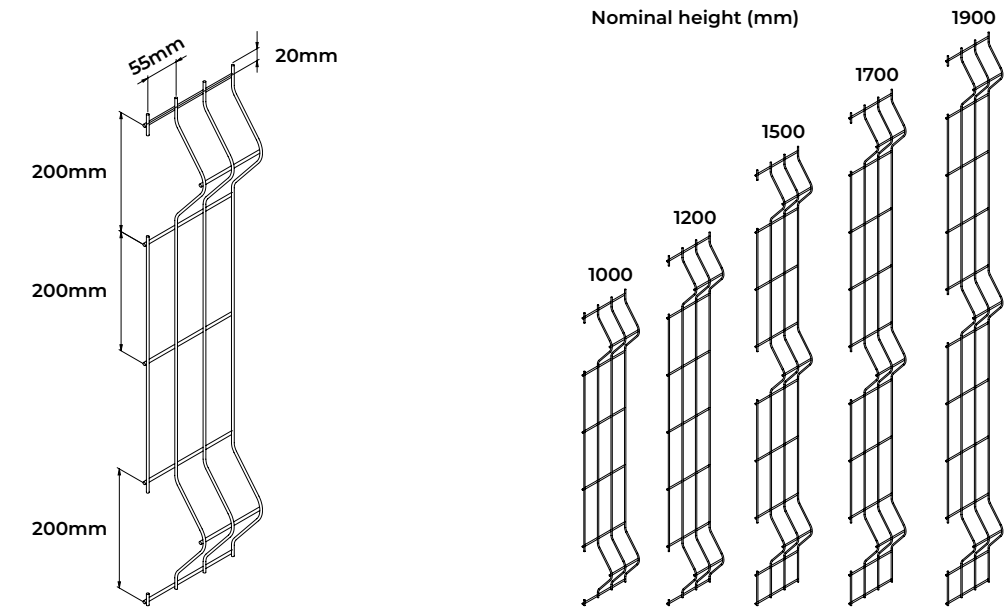
FEATURES

- Cut-away panel with large folds
- High adherence polyester-coated galvanised steel wire
- Panel width: 2480mm
- Mesh: 200 x 55mm
- Wire diameter: horizontal 5mm, vertical 4mm
- 2 colours: Green 6005 ● and Grey 7016 ●
- Product sold per pallet only

CUSTOMISATION

- Privacy fencing possible with **LIXO®** (see p. 70 - 71), **LIXO® + Finish** (see p. 74 - 75), **LIXO® Wood** (see p. 78 - 79) and **LIXO® Top** (see p. 80 - 81).

TECHNICAL FEATURES



FENCE HEIGHT (m)	PANEL WIDTH (mm)	NUMBER OF FOLDS	AXOR® POST		AXIS® POST		COMPATIBLE PRIVACY FENCING	
			EMBEDDED	ON WELDED PLATE	EMBEDDED	ON WELDED PLATE	AXOR® POST	AXIS® POST
1.00	2480	2	1.50	1.05	1.60	1.05	LIXO® LIXO® + Finish LIXO® Wood LIXO® Top	-
1.20			1.70	1.25	1.80	1.25		
1.50		3	2.00	1.55	2.00	1.55		
1.70			2.20	1.75	2.20	1.75		
1.90			2.40	1.95	2.40	1.95		
COMPATIBLE CONCRETE GRAVEL BOARD (mm)	-	-	2500	-	2515	-	-	-

COMPATIBLE POSTS



AXOR® POST

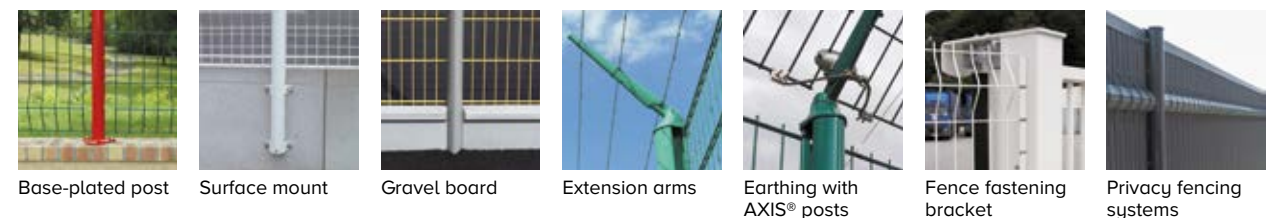
- **AXOR® post** (see p. 98 to 101), slotted post for fencing off less sensitive sites and fence heights up to 2m.

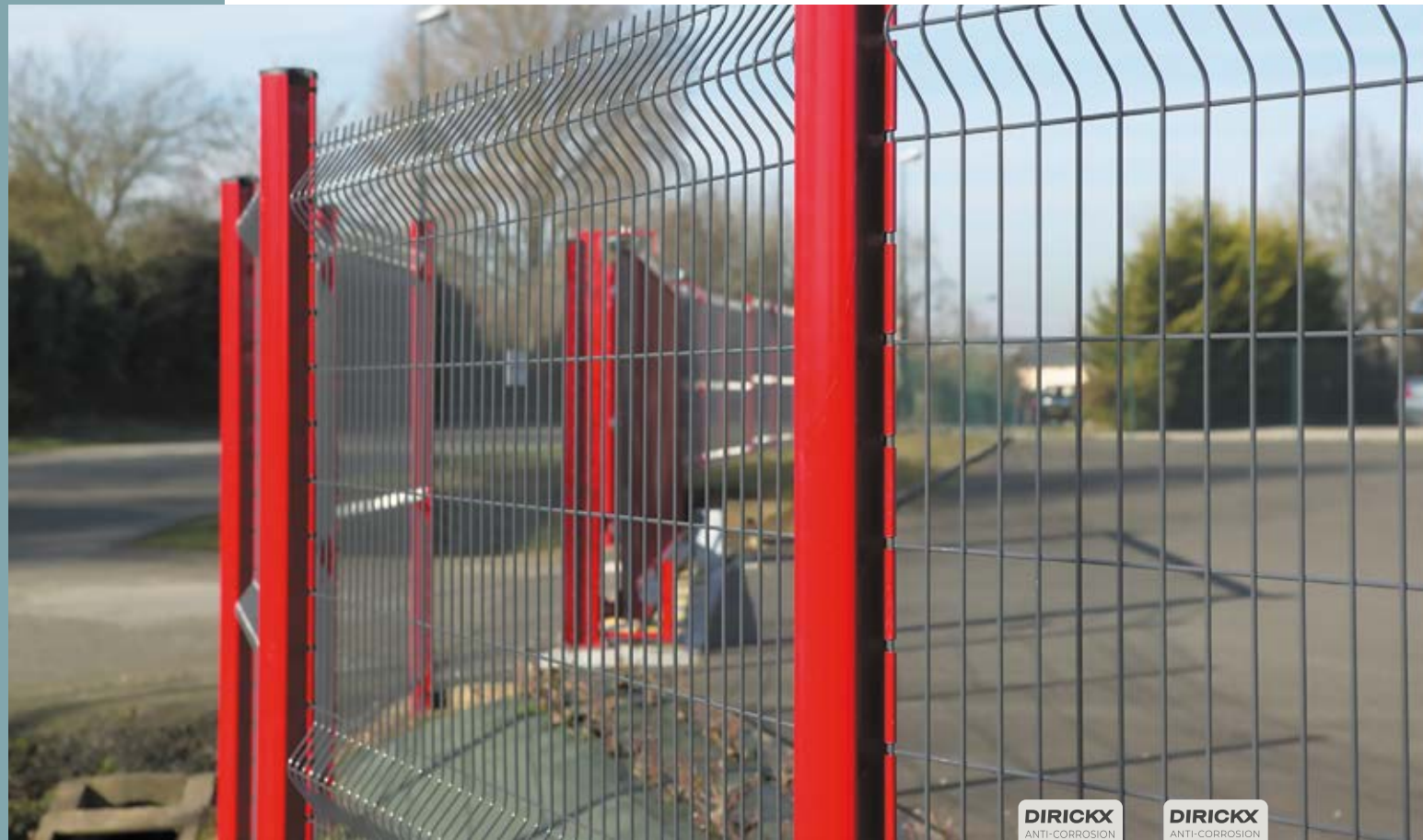
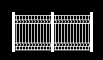


AXIS® POST

- **AXIS® post** (see p. 102 to 106), slotted post for protecting and securing very high-risk sites and fence heights up to 3m.

OPTIONS





DIRICKX ANTI-CORROSION GUARANTEE 10 YEARS POLYESTER PROTECT +

The market benchmark panel for protection and security

RIGID PANEL FENCING

AXIS® C

PUBLIC AREAS



SERVICE SECTOR SITES



INDUSTRIAL & LOGISTICS SITES



RESILIENT

- Large reinforcement folds to ensure the panel's rigidity.
- Defensive spikes.
- Heights up to 2.40m.

QUICK AND EASY TO INSTALL

- Installation in forward sequence without accessories with **AXOR®** and **AXIS®** slotted posts: the panels slot into grooves on the posts.
- A single post for all configurations: start and end, intermediate section, corner, etc.
- Suitable for all terrains: curved, angled or sloping premises.
- Wide range of possible configurations: on base plates, on walls, with concrete gravel boards, surface mounting, earthing, etc.

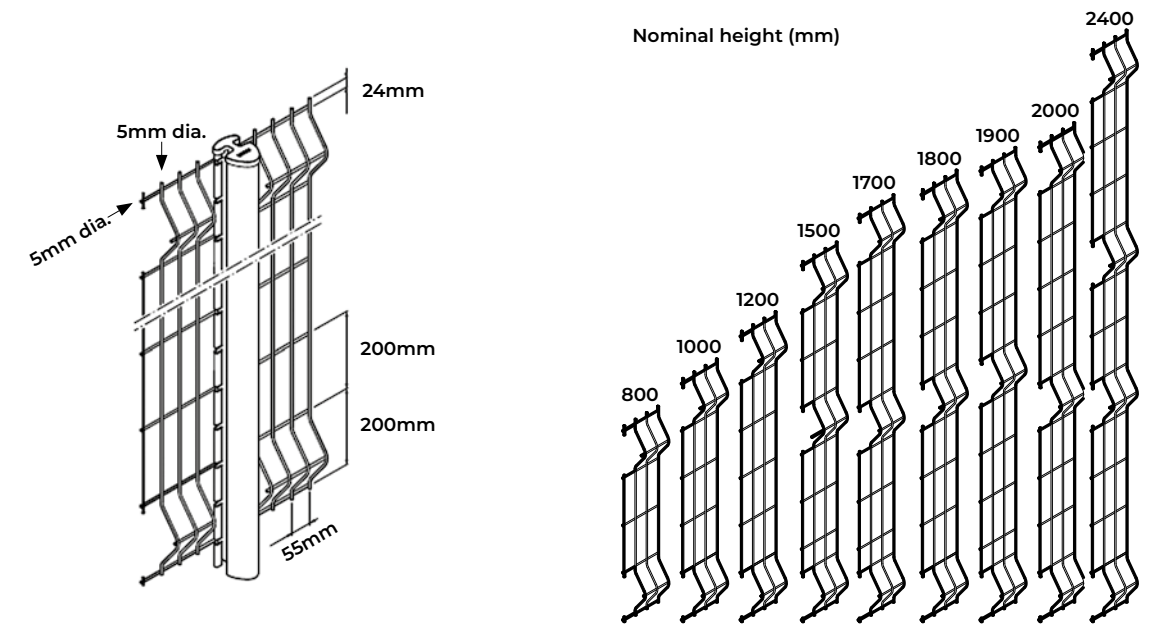
FEATURES

- Cut-away panel with large folds
- High adherence polyester-coated galvanised steel wire
- Panel width: 2480mm
- Mesh: 200 x 55mm
- Wire diameter: 5mm

CUSTOMISATION

- **6 standard colours:** ●●●●●○
- 200 RAL colours.
- **Matt and textured finishes.**
- Compatible with the following privacy systems: **LIXO®** (see p. 70 - 71), **LIXO® + Finish** (see p. 74 - 75), **LIXO® Wood** (see p. 78 - 79) and **LIXO® Top** (see p. 80 - 81).

TECHNICAL FEATURES



FENCE HEIGHT (m)	PANEL WIDTH (mm)	NUMBER OF FOLDS	AXOR® POST		AXIS® POST		COMPATIBLE PRIVACY FENCING		
			EMBEDDED	ON WELDED PLATE	EMBEDDED	ON WELDED PLATE	AXOR® POST	AXIS® POST	
0.80	2480	2	1.20	0.85	1.40	-	LIXO®	-	
1.00			1.50	1.05	1.60	1.05	LIXO® LIXO® + Finish LIXO® Wood LIXO® Top	-	
1.20			1.70	1.25	1.80	1.25			
1.50			2.00	1.55	2.00	1.55			
1.70		3	3	2.20	1.75	2.20	1.75	-	LIXO® LIXO® + Finish LIXO® Wood LIXO® Top
1.80				2.40	1.85	2.40	1.85		
1.90					1.95	2.40	1.95		
2.00				2.50	2.05	2.50	2.05		
2.40	4	4	-	-	2.90	2.45	-	-	
COMPATIBLE CONCRETE GRAVEL BOARD (mm)	-	-	2500	-	2515	-	-	-	

COMPATIBLE POSTS

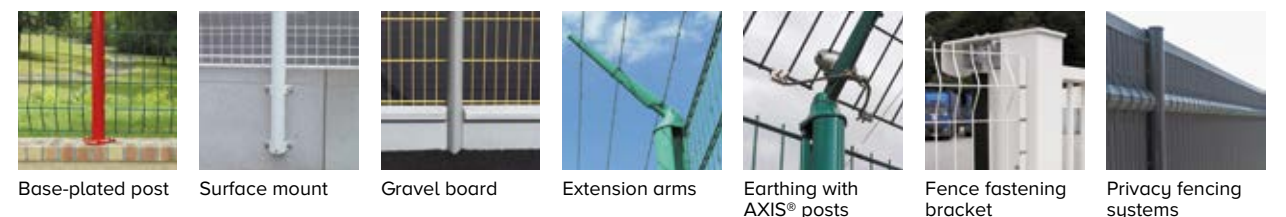


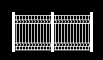
• AXOR® post (see p. 98 to 101), slotted post for fencing off less sensitive sites and fence heights up to 2m.



• AXIS® post (see p. 102 to 106), slotted post for protecting and securing very high-risk sites and fence heights up to 3m.

OPTIONS





Boundaries with a cost-effective small-fold panel

RIGID PANEL FENCING

AXYLE® MS

Perfect with the **AXYLE®** post for residential privacy fencing.

AXYLE® MD

Perfect with the **AXOR®** post for cost-effective fencing.

PRIVATE HOMES



HOUSING COMPLEXES



PUBLIC AREAS



SERVICE SECTOR SITES



SECURITY

- Small reinforcement folds to ensure the panel's rigidity.
- Defensive spikes. Can be installed with spikes on the upper or lower section (note: some privacy systems with a cap rail require installation with spikes on the lower section).

DURABLE AND ATTRACTIVE

- The number of reinforcement folds increases according to the height of the panel, ensuring optimal rigidity.
- The thinner vertical wire gives greater subtlety to the end result.

INSTALLATION

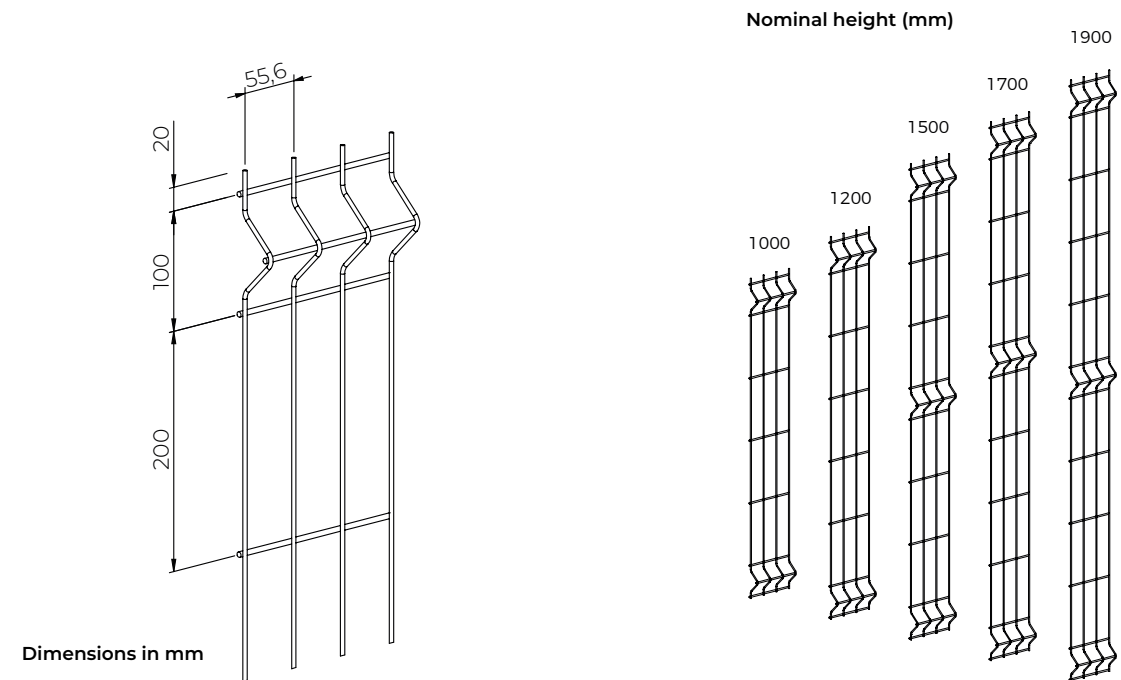
- **AXYLE® MS:** with **AXYLE®** H-shaped post (see p. 96 - 97), with **REX** bracket posts (see p. 94 - 95).
- **AXYLE® MD:** with **AXOR®** slotted posts (see p. 98 to 101), or **AXIS®** slotted posts (see p. 102 to 106).

FEATURES

- **AXYLE® MS:**
 - Uncut small-fold panel
 - Panel width: 2500mm
- **AXYLE® MD:**
 - Cut small-fold panel
 - Panel width: 2480mm
- **AXYLE® MS and MD:**
 - High adherence polyester-coated galvanised steel wire
 - Mesh: 200 x 55mm
 - Wire diameter: horizontal 5mm, vertical 4mm
 - 2 colours: Green 6005 ● and Grey 7016 ●



TECHNICAL FEATURES

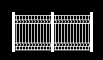


Dimensions in mm

FENCE HEIGHT (m)	NUMBER OF FOLDS	AXYLE® MS					COMPATIBLE PRIVACY FENCING	AXYLE® MD				COMPATIBLE PRIVACY FENCING	
		PANEL WIDTH (mm)	REX POST		AXYLE® POST			PANEL WIDTH (mm)	AXOR® POST		AXIS® POST		
			EMBEDDED	EMBEDDED	EMBEDDED	EMBEDDED			EMBEDDED	EMBEDDED	EMBEDDED		EMBEDDED
1.00	2	2500	1.50	1.50	1.00	2480	1.50	1.05	1.60	1.05	LIXO® - LIXO® + Finish - LIXO® Horizontal (with AXOR® post limited to fences with a height of 1.20m). See our recommendations on p. 107		
1.20			-	1.70	1.50		1.70	1.25	1.80	1.25			
1.50	3	2.00	2.00	1.50	2.00	1.55	2.00	1.55					
1.70		-	2.20	1.70	2.20	1.75	2.20	1.75					
1.90		2.50	2.40	2.00	2.40	1.95	2.40	1.95					
COMPATIBLE CONCRETE GRAVEL BOARD (mm)	-	-	-	2510	-	-	2500 (27mm thick)	-	2515	-		-	

OPTIONS

- Base-plated post
- Gravel board
- Extension arms
- Earthing
- Fence fastening bracket
- Privacy fencing systems



DIRICKX ANTI-CORROSION GUARANTEE 10 YEARS POLYESTER PROTECT+

The standard small-fold panels on the market

RIGID PANEL FENCING

AXYLE® CS AXYLE® CD

Install with the AXYLE® post for residential privacy fencing.

Install with the AXOR® and AXIS® posts for cost-effective fencing.

RESILIENT

- Small reinforcement folds to ensure the panel's rigidity. Defensive spikes. Heights up to 2.40m.

INSTALLATION

- AXYLE® CS with REX bracket posts (see p. 94 - 95), with AXYLE® H-shaped post (see p. 96 - 97). AXYLE® CD with AXOR® - AXIS® slotted posts (see p. 98 to 106), residential project without privacy systems, with REX bracket posts (see p. 94 to 95) compatible with all posts on the market: slotted, bracket and clip.

FEATURES

- AXYLE® CS - Uncut small-fold panel - Panel width: 2500mm AXYLE® CD - Cut small-fold panel - Panel width: 2480mm AXYLE® CS and CD: - High adherence polyester-coated galvanised steel wire - Mesh: 200 x 55mm - Wire diameter: 5mm

CUSTOMISATION

- 6 standard colours: [color swatches] 200 RAL colours. Matt and textured finishes.

TECHNICAL FEATURES

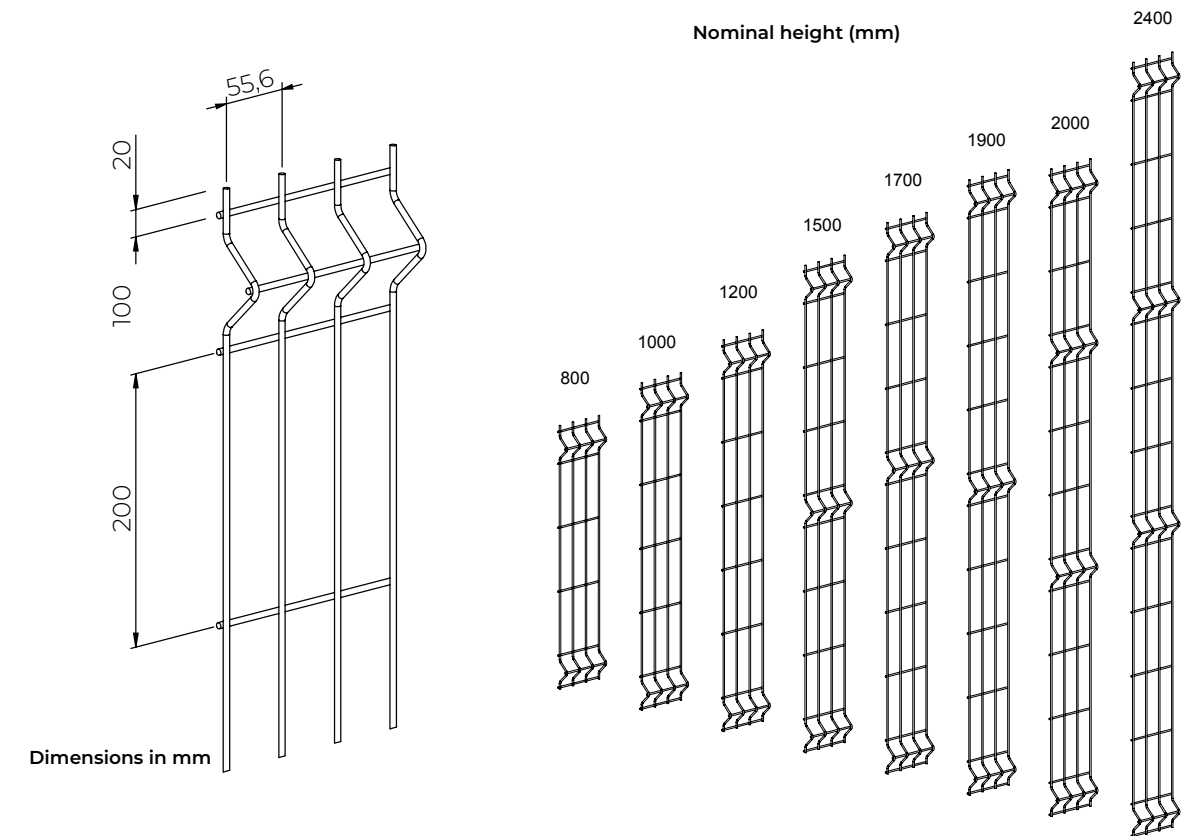


Table with columns for Fence Height (m), Number of Folds, Panel Width (mm), REX Post, AXYLE Post (Embedded/Base-plated), Compatible Privacy Fencing, Panel Width (mm), AXOR Post (Embedded/Base-plated), AXIS Post (Embedded/Base-plated), and Compatible Privacy Fencing. Rows include heights from 0.8m to 2.40m and a row for compatible concrete gravel boards.

OPTIONS

- Base-plated post Gravel board Extension arms Earthing Fence fastening bracket Privacy fencing systems

PRIVATE HOMES



HOUSING COMPLEXES



PUBLIC AREAS



SERVICE SECTOR SITES



INDUSTRIAL & LOGISTICS SITES





DIRICKX ANTI-CORROSION GUARANTEE 10 YEARS POLYESTER PROTECT +

A unique solution on the market combining security with aesthetic appeal

RIGID PANEL FENCING

AXIS® SR

PUBLIC AREAS



SERVICE SECTOR SITES



INDUSTRIAL & LOGISTICS SITES



PROTECTION AND STYLE

- Sleek design due to small mesh.
- Rigidity and security: due to its tight-woven mesh and large wire diameter, **AXIS® SR** takes longer to cut into than a standard panel.
- Large reinforcement folds to ensure the panel's rigidity.
- Impossible to dismantle once installed.
- Defensive spikes.
- Heights up to 3.00m.

QUICK AND EASY TO INSTALL

- Installation in forward sequence without accessories with **AXIS®** slotted posts: the panels slot into grooves on the posts.
- A single post for all configurations: start and end, intermediate section, corner, etc.
- Suitable for all terrains: curved, angled or sloping premises.
- Wide range of possible configurations: on base plates, on walls, with concrete gravel boards, surface mounting, earthing, etc.

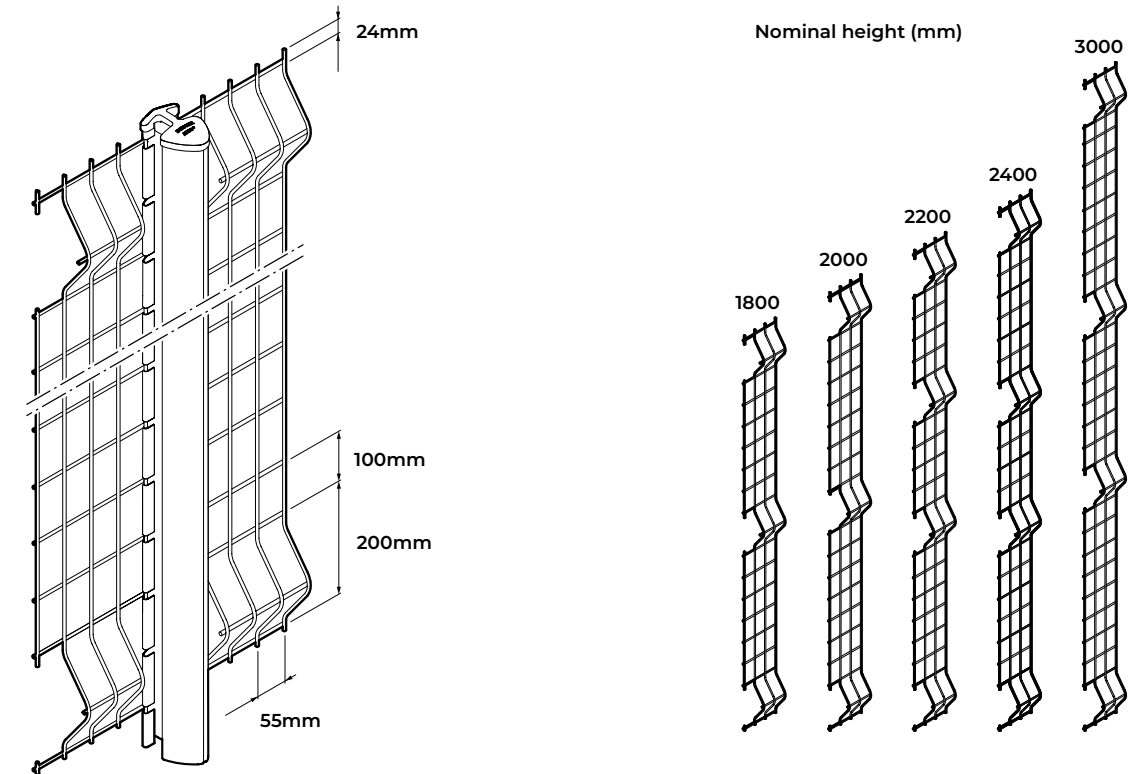
FEATURES

- Cut panel with large folds
- High adherence polyester-coated galvanised steel wire
- Mesh: 100 x 55mm
- Wire diameter:
 - vertical: 5mm
 - horizontal: 6mm
- 2 widths:
 - 2315mm (height > 2.40m)
 - 2480mm (height ≤ 2.40m)

CUSTOMISATION

- **6 standard colours:** ●●●●●○
- 200 RAL colours.
- **Matt and textured finishes.**
- Compatible with **LIXO®** privacy systems (see p. 70 to 81).

TECHNICAL FEATURES



FENCE HEIGHT (m)	PANEL WIDTH (mm)	NUMBER OF FOLDS	AXIS® POST			COMPATIBLE PRIVACY FENCING
			EMBEDDED	ON WELDED PLATE	SURFACE MOUNTED	
1.80	2480	3	2.20	1.85	2.20	LIXO®
2.00			2.50	2.05	2.50	
2.20			2.70	2.25	2.70	
2.40			2.90	2.45	2.90	
3.00	2315	4	3.70	-	-	-
COMPATIBLE CONCRETE GRAVEL BOARD (mm)	2480	-	2515	-	-	-
	2315		2350	-	-	-

COMPATIBLE POSTS

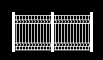


- **REX post** (see p.94 - 95),
- **AXYLE® post** (see p.96 - 97),
- **AXIS® post** (see p.102 to 106).

OPTIONS

- **Surface mount.**
- **Installation with concrete gravel board:** use long-embedded posts + board height of 25 or 50cm (use **AXIS®** posts with 50cm boards).
- **Installation with steps:** calculate post length based on the required offset (10cm intervals).
- **Extension arms.**
- **Earthing with AXIS® posts.**
- **Fence fastening bracket.**





DIRICKX
ANTI-CORROSION
GUARANTEE
10 YEARS
POLYESTER
DIRICKX
ANTI-CORROSION
GUARANTEE
PROTECT +

A reinforced panel
providing rigidity
and resilience

RIGID PANEL FENCING

AXIS® D

PUBLIC AREAS



SECURE AND SIMPLE

- The double horizontal wires make the panel more rigid and resilient.
- Security spikes for heights over 1.40m.
- Heights up to 3.00m.

FEATURES

- Flat panel
- High adherence polyester-coated galvanised steel wire
- Mesh: 200 x 50mm
- Wire diameter:
 - vertical: 5mm
 - horizontal: 2 x 6mm
- 2 widths: 2.30 and 2.50m

CUSTOMISATION

- **6 standard colours:** ●●●●●○
- 200 RAL colours.
- **Matt and textured finishes.**
- Compatible with the **LIXO® Horizontal flat panels kit privacy fencing solution** (see p. 72 - 73).

INDUSTRIAL & LOGISTICS SITES



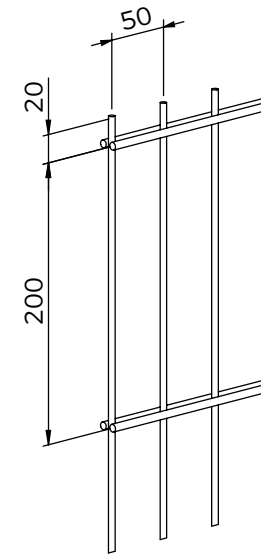
QUICK AND EASY TO INSTALL

- Installation in forward sequence without accessories with **AXOR®** and **AXIS®** slotted posts (slots into grooves on the post).
- Installation in forward sequence with **AXYLE®** H-shaped post.
- Traditional installation with **REX** bracket posts.
- Suitable for all terrains: curved, angled or sloping premises.
- On plates, on walls, with concrete gravel boards, surface mounting, extension arms, earthing, etc.

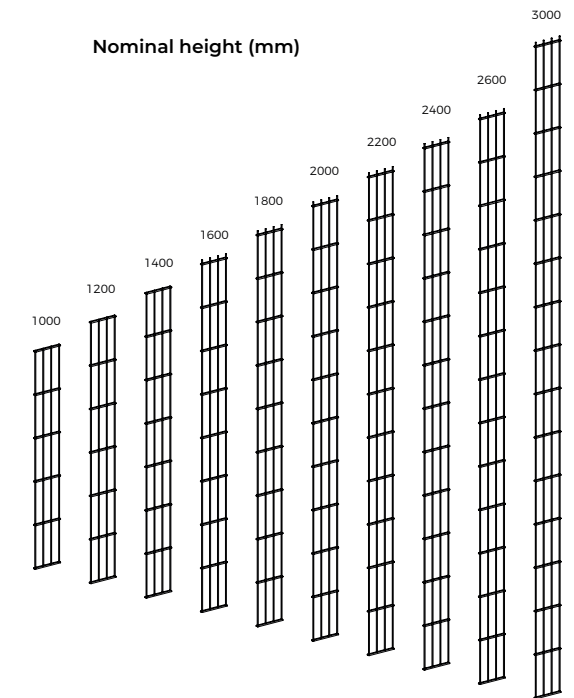
SENSITIVE SITES



TECHNICAL FEATURES



Nominal height (mm)



Dimensions in mm

FENCE HEIGHT (m)	PANEL WIDTH (mm)	AXIS® POST			AXYLE® POST		REX POST	COMPATIBLE PRIVACY FENCING
		EMBEDDED	ON WELDED PLATE	SURFACE MOUNTED	EMBEDDED	BASE-PLATED WITH SLEEVE	EMBEDDED	
1.00	2500	1.60	1.05	1.40	1.50	1.00	1.50	LIXO® LIXO® Horizontal
1.20		1.80	1.25	1.60	1.70	–	–	
1.40		2.00	1.45	1.80	2.00	1.50	2.00	
1.60		2.20	1.65	2.00	2.20	1.70	–	
1.80		2.40	1.85	2.20	2.40	–	–	
2.00		2.50	2.05	2.50	2.50	2.00	2.50	
2.20		2.70	2.25	2.70	2.70	2.20	–	
2.40	2300	2.90	2.45	2.90	3.10	–	3.00	–
2.60		3.10	2.65	3.10		–	–	
3.00		3.50 to 3.70	–	–		–	3.50	
COMPATIBLE CONCRETE GRAVEL BOARD (mm)	2500	2550	–	–	2500	–	–	–
	2300	2350	–	–	2310	–	–	–

* Security spikes for heights > 1.40m.

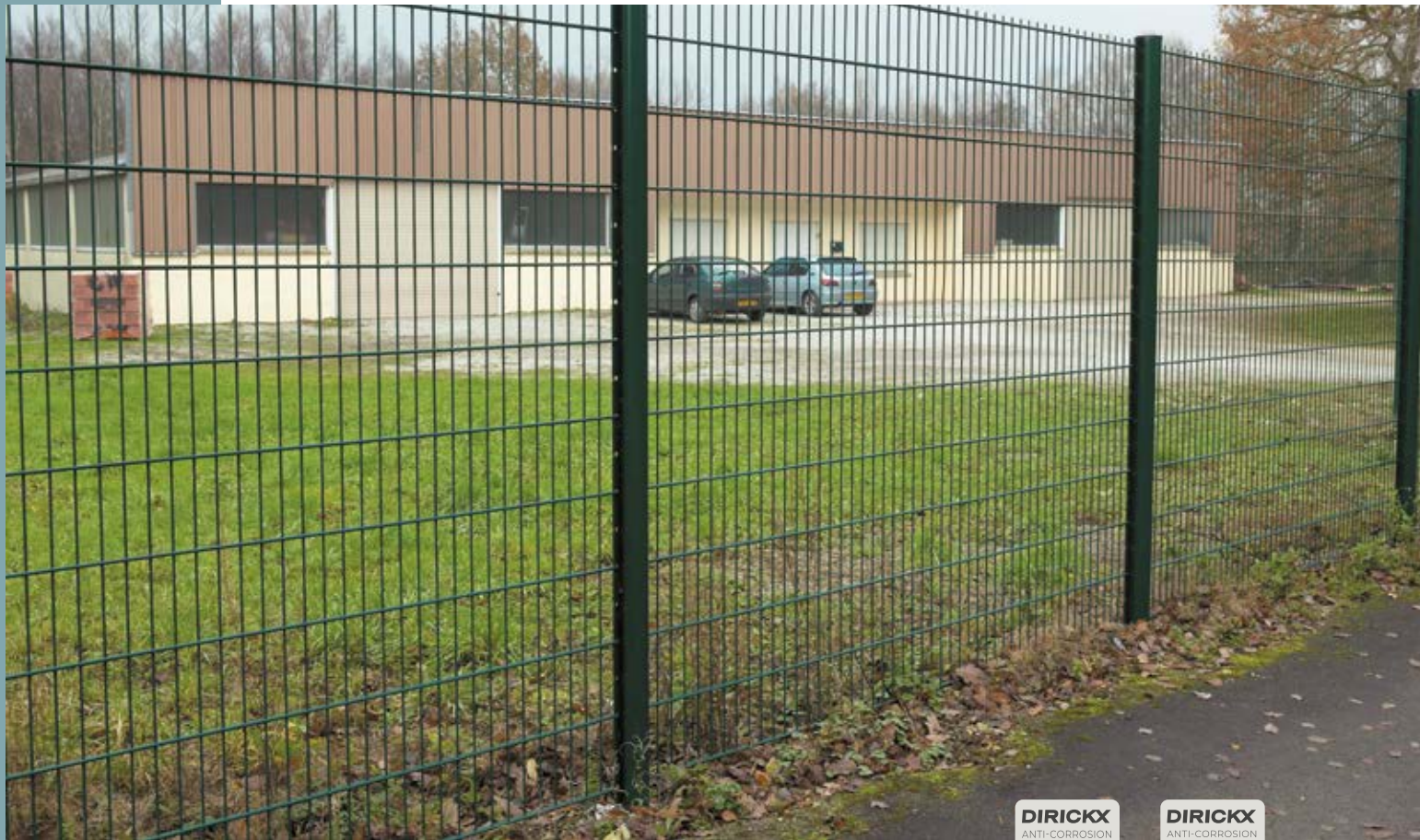
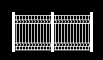
COMPATIBLE POSTS



- **REX post** (see p.94 - 95),
- **AXYLE® post** (see p.96 - 97),
- **AXIS® post** (see p.102 to 106),
- **AXOR® post** (see p.98 to 101).

OPTIONS

- **Surface mount.**
- **Installation with concrete gravel board:** use long-embedded posts + board height of 25 or 50cm (use **AXIS®** posts with 50cm boards).
- **Installation with steps:** calculate post length based on the required offset (10cm steps with the **AXIS®** / 2cm with the **AXYLE®** post).
- **Extension arms.**
- **Earthing with **AXIS®** or **AXYLE®** posts.**
- **Fence fastening bracket.**



DIRICKX ANTI-CORROSION GUARANTEE 10 YEARS POLYESTER PROTECT +

The most robust panel in the range recommended for sensitive or high-risk sites

RIGID PANEL FENCING AXIS® DR

SECURE AND SIMPLE

- The double horizontal wires make the panel more rigid.
- Security spikes for heights over 1.40m.
- Heights up to 3.00m.

QUICK AND EASY TO INSTALL

- Installation in forward sequence without accessories with **AXOR®** and **AXIS®** slotted posts (slots into grooves on the post).
- Installation in forward sequence with **AXYLE®** H-shaped post.
- Traditional installation with **REX** bracket posts.
- Suitable for all terrains: curved, angled or sloping premises.
- Several configurations possible: on plates, on walls, with concrete gravel boards, surface mounting, earthing, extension arms, etc.

FEATURES

- Uncut flat panel
- High adherence polyester-coated galvanised steel wire
- Mesh: 200 x 50mm
- Wire diameter:
 - vertical: 6mm
 - horizontal: 2 x 8mm
- 2 widths: 2.30 and 2.50m

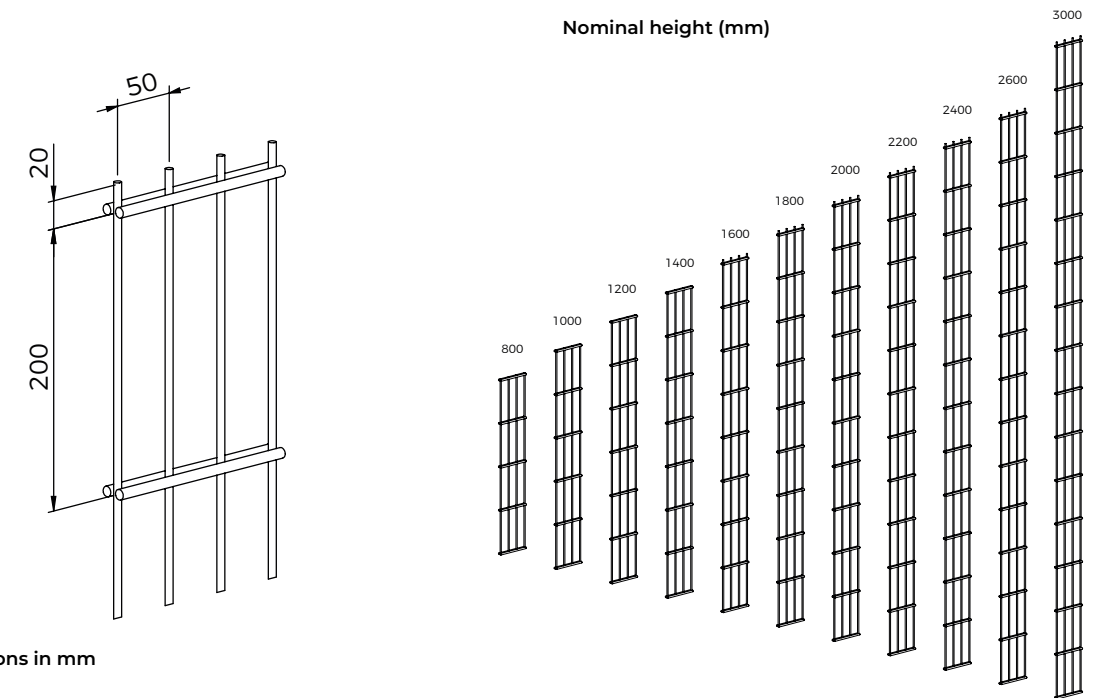
CUSTOMISATION

- **6 standard colours:** ●●●●●○
- 200 RAL colours.
- **Matt and textured finishes.**
- Compatible with the **LIXO®** **Horizontal flat panels kit** privacy fencing solution (see p.72 - 73).



More technical info at www.dirickx.fr

TECHNICAL FEATURES



Dimensions in mm

FENCE HEIGHT (m)	PANEL WIDTH (mm)	AXIS® POST		AXYLE® POST		REX POST	COMPATIBLE PRIVACY FENCING
		EMBEDDED	ON WELDED PLATE	EMBEDDED	BASE-PLATED WITH SLEEVE	EMBEDDED	
0.80	2500	1.40	0.85	1.50	-		LIXO® LIXO® Horizontal
1.00		1.60	1.05	1.50	1.00	1.50	
1.20		1.80	1.25	1.70	-		
1.40		2.00	1.45	2.00	1.50	2.00	
1.60		2.20	1.65	2.20	1.70	-	
1.80		2.40	1.85	2.40	-		
2.00		2.50	2.05	2.50	2.00	3.00	
2.20		2.70	2.25	2.70	-	-	
2.40		2.90	2.45	3.10			
2.60		3.10	2.65	3.10			
3.00	2300	3.50	-		3.50	-	
COMPATIBLE CONCRETE GRAVEL BOARD (mm)	2500	2550	-	2500	-	-	-
	2300	2350	-	2310	-	-	-

* Security spikes for heights > 1.40m.

COMPATIBLE POSTS



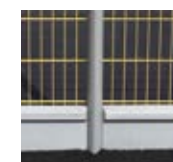
- **REX post** (see p.94 - 95),
- **AXYLE® post** (see p.96 - 97),
- **AXIS® post** (see p.102 to 106),
- **AXOR® post** (see p.98 to 101).

OPTIONS

- **Surface mount.**
- **Installation with concrete gravel board:** use long-embedded posts + board height of 25 or 50cm.
- **Installation with steps:** calculate post length based on the required offset (10cm intervals).
- **Extension arms.**
- **Earthing with AXIS® or AXYLE® posts.**
- **Fence fastening bracket.**



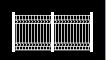
Surface mount



Gravel board



Installation with steps



The solution for flexible vertical privacy fencing designed to be cut

PRIVACY SLATS



PRIVATE HOMES



EASY TO INSTALL

- 60m roll, which must be cut to the height of the rigid panel.
- Installed with mounting clips so no need for tools.

CUSTOMISATION

- Various possible weave patterns:
 - alternate slat placement,
 - play on contrast or two-tone effects,
 - cut the slats to create patterns or achieve partial concealment.

DURABILITY

- Rot-resistant.
- No servicing.
- Reliable interlocking system.

VERSATILE

- Compatible with:
 - new or existing fences,
 - DIRICKX rigid panels:
 - ARISTA** (see p. 48 to 49);
 - AXOR® CHIC** and **CLASSIC** (see p. 50 to 53);
 - AXIS® S, M** and **C** (see p. 54 to 59);
 - AXYLE® MS, CS, MD** and **CD** (see p. 60 to 63),
 - 2.00 or 2.50m wide rigid panels with the technical features shown opposite:

PACKAGING

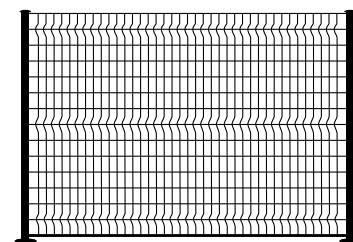
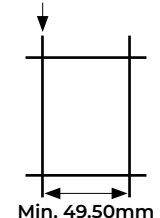
- 1 x 60m roll + 100 mounting clips in a blister pack with hook.

FEATURES

- PVC weave privacy roll
- Length: 60m
- Width: 48mm
- Colours: Green 6005 ● and Grey 7016 ●

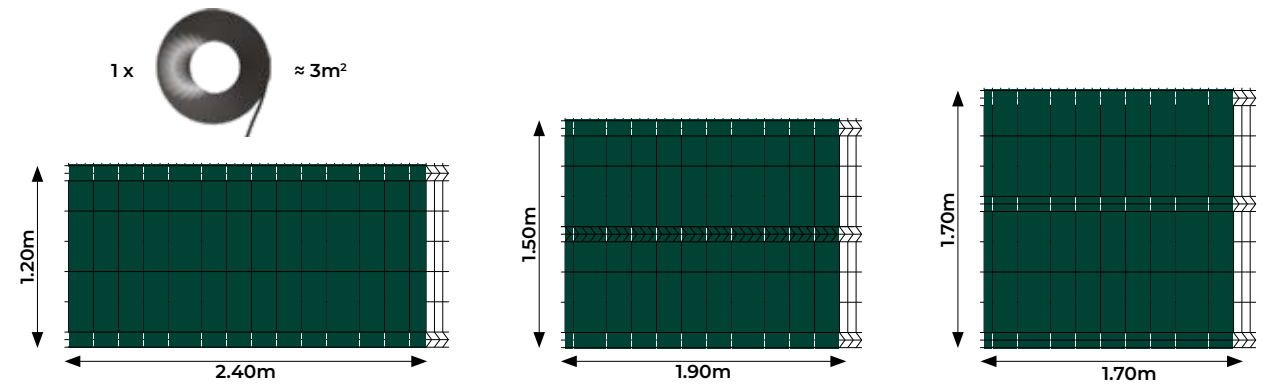


Max. dia. 5mm



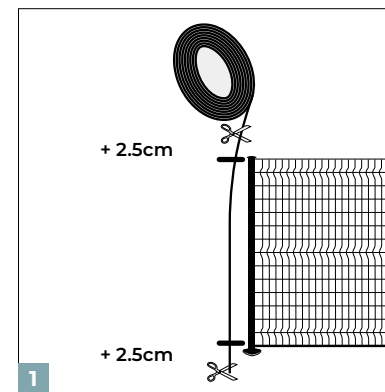
ROLL CAN BE CUT TO THE HEIGHT OF THE RIGID PANEL

- To calculate the number of 60m rolls you need for your project:



Note: ensure you have extra clips for fences under 1.20m in height.

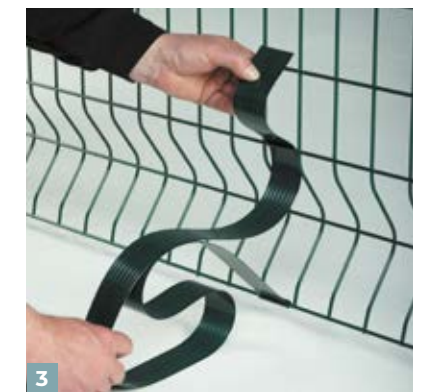
INSTALLATION PROCEDURE



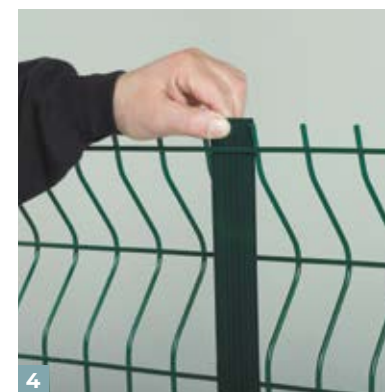
1 Measure the height of the rigid panel, mark the measurement on the roll, add 5cm and cut.



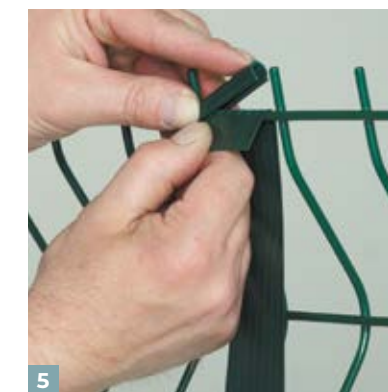
2 Fold a slat at the bottom of the panel and fasten it with a clip, with the folded side on the side of the fence interior.



3 Weave the slat upwards through the panel mesh.



4 Once you reach the top of the panel, pull the slat taut.



5 Fold the slat and secure with a clip. Repeat operation.

Scan this QR code to watch a video showing you how to install LIXO®



Note: any privacy accessories used with fences may potentially render the fence more susceptible to wind damage. Consult our installation recommendations on p. 107.



The solution for flexible horizontal woven privacy fencing

PRIVACY SLATS

LIXO® HORIZONTAL



EASY TO INSTALL

- Kits suitable for flat panels and small-fold panels.
- Roll to be cut to panel width.
- No tools or accessories required. The strip fits into the rabbet of the post.

DURABILITY

- Roll made from 100% recyclable polypropylene.
- 5-year UV resistance guarantee.
- Rot-resistant.

EFFECTIVE

- A system providing more privacy than vertical solutions.

ATTRACTIVE

- Smooth or rattan finish.
- Various possible weave patterns.

COMPATIBILITY

- New or existing fences,
- For small-fold panels: **AXYLE® MS** and **CS**, **AXYLE® MD** and **AXYLE® CD** (see p. 60 to 63).
- Flat panels: **AXOR® CHIC** (see p. 52 - 53), **AXIS® D** and **DR** (see p. 66 to 69).

FEATURES

- PVC weave privacy roll kit
- Colour: Grey 7016 ●
- 2 finishes: smooth and rattan

PACKAGING

- **Small-fold kit (5.65m² screen):**
a 25lm x 19cm wide roll
+ a 20lm x 4.75cm wide strip.
- **Flat panel kits (5.25m² screen):**
a 25lm x 19cm wide roll
+ a 5lm x 9.5cm wide strip.
- 25lm x 9.5cm **roll**, packaged in cardboard for screening a gate (with 100mm mesh).

FINISH



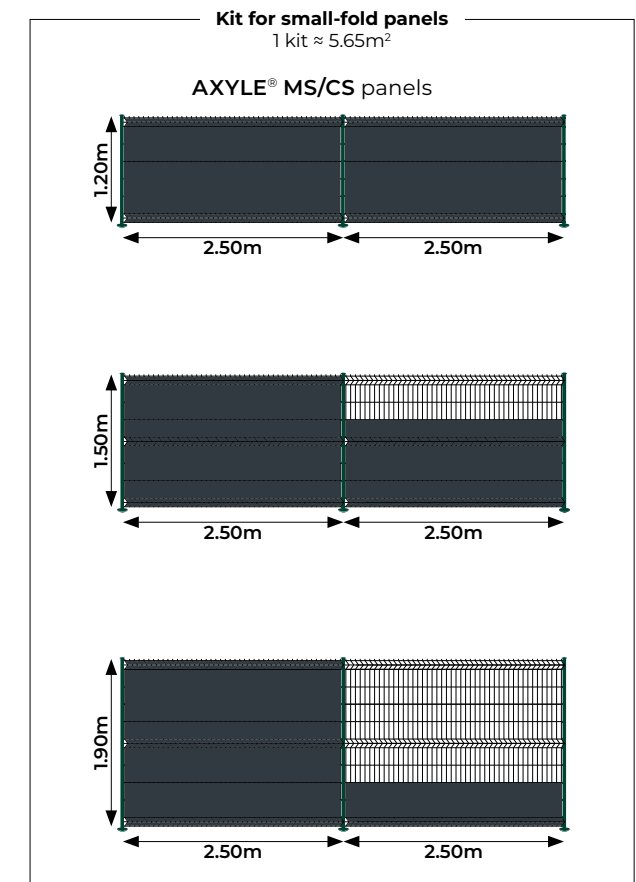
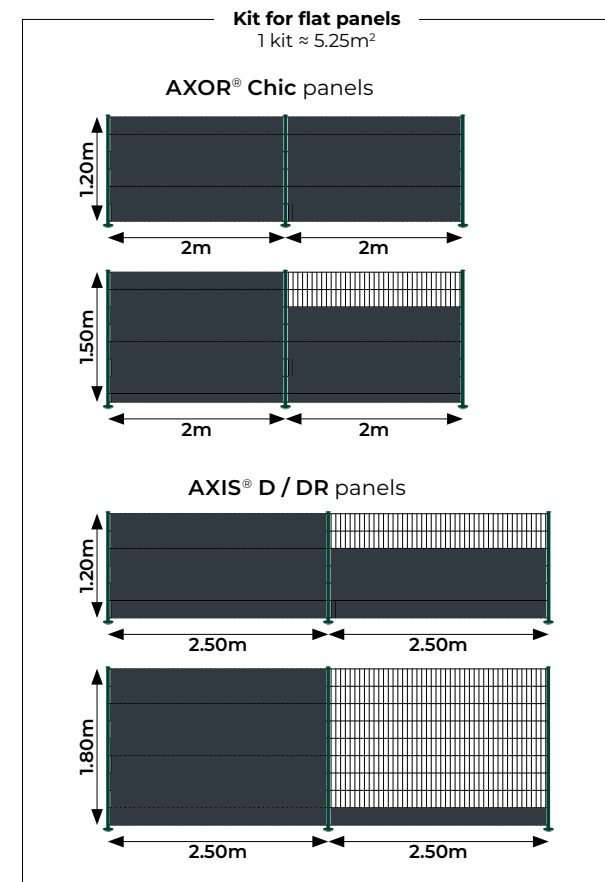
Smooth finish



Rattan finish

ROLL CAN BE CUT TO THE HEIGHT OF THE RIGID PANEL

- To calculate the number of 60m rolls you need for your project



INSTALLATION PROCEDURE



Measure the width of the panel and cut the strips accordingly. Weave the slat horizontally through the mesh of the panel, positioning it in the rabbet of the post at each end.



Note: any privacy accessories used with fences may potentially render the fence more susceptible to wind damage. Consult our installation recommendations on p. 107.



The solution for ready-to-use flexible woven privacy fencing

FLEXIBLE WEAVE PRIVACY SLATS

LIXO® + FINISH

PRIVATE HOMES



FLAWLESS FINISH

- Slats cut to the height of the panel.
- Clips ensure maximum slat tension.
- Top cap rail to add a touch of style.

CUSTOMISATION

- Alternate slat placement.
- Combine various colours to produce a unique privacy solution.
- Cut the slats to create patterns or achieve partial concealment.

EASY TO INSTALL

- Installed with mounting clips so no need for tools.

DURABILITY

- Rot-resistant.
- No servicing.
- Reliable interlocking system.

PACKAGING

- **LIXO® + Finish** is designed for a 2.00 or 2.50m wide panel and includes:
 - 45 slats to weave into a panel + 90 mounting clips in plastic sheaths the same colour as the product,
 - a 2.50m long top cap rail (which can be cut to size for 2m wide panels).

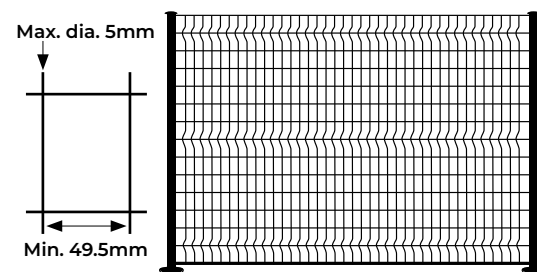
⚠ Sold separately

FEATURES

- Weave privacy slats + PVC top cap rail
- Slat width: 48mm
- 5 heights: 1.00 to 1.90m
- 5 colours

COMPATIBILITY

- With new or existing fences.
- With rigid panels: **ARISTA**, **AXOR® Classic** and **Chic** (see p. 48 to 53), **AXIS® S, M** and **C** (see p. 54 to 59), **AXYLE® MS, CS, MD** and **CD** (see p. 60 to 63).
- With 2.00m or 2.50m wide rigid panels with the following features:



TECHNICAL FEATURES

HEIGHT (m)	1.00	1.20	1.50	1.70	1.90
COLOURS	Beige 1015 ●, Green 6005 ●, Grey 7016 ●, Black 9005 ●, White 9010 ○				

INSTALLATION PROCEDURE



1 Fold a slat at the bottom of the panel and fasten it with a clip, with the **folded side on the side of the fence interior**.



2 Weave the slat upwards through the panel mesh.



3 Pull the slat taut once you have reached the top of the panel.



4 Fold the slat and secure with a clip.

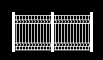


5 Once the panel is fully woven, fasten the cap rail to the top of the panel with the **notched side on the side of the fold**.

Scan this QR code to watch a video showing you how to install LIXO® + Finish



Note: any privacy accessories used with fences may potentially render the fence more susceptible to wind damage. Consult our installation recommendations on p. 107.



A new concept combining the advantages of flexible and rigid privacy systems

RIGID PRIVACY SLATS

LIXO® 3D

QUICK AND EASY TO INSTALL

- No tools or accessories required.
- Non-weavable slats.
- Option of using a kit to adjust the steps on the lower section by 20cm compared to the height of the fence.

DURABILITY

- Polypropylene slats.
- 5-year UV resistance guarantee.
- Maintenance-free solution.

FLAWLESS FINISH

- A bottom rail ensures alignment of the slats in the upper section.
- The flexible slats adjust to the shape of the fence.
- 3D effect provided by the thermoplastic net.

COMPATIBILITY

- For small-fold panels: 3 folds recommended.
- Perfect with the **AXYLE®** post (see p. 96 - 97), an adaptation kit is required for the **AXIS®** post (see p. 102 to 106).

FEATURES

- Polypropylene slats and thermoplastic folding net
- 4 Heights: 1.50, 1.70, 1.90 and 2.10m
- Colour: Grey 7016 ●

CUSTOMISATION

- Option of creating patterns as preferred.

GREATER PRIVACY

- Option of raising your fence (by using a kit higher than the nominal height of your fence, 20cm maximum).
- The 3D effect increases the privacy provided by the slats.

PRIVATE HOMES



KIT

CONTENTS

- 45 slats, 74mm each,
- a lower cap rail measuring 82 × 3cm.

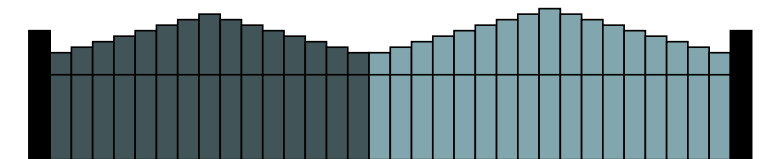
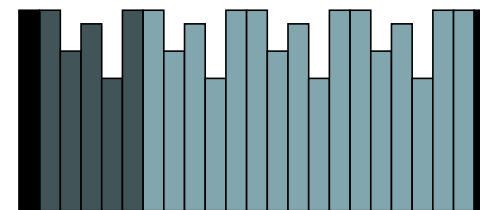
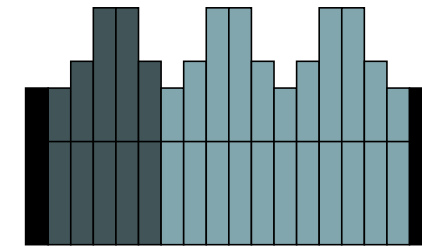
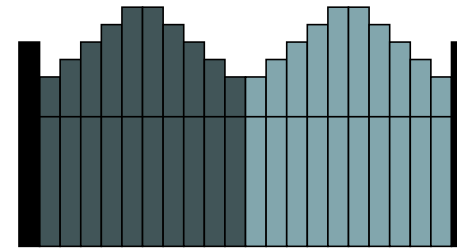
EASY TRANSPORTATION

- Single-size packaging (120 × 60 × 10cm), easily transportable, for all heights of slats.

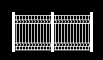
CUSTOMISATION

Many customisation options

Examples of possible styles:



Note: any privacy accessories used with fences may potentially render the fence more susceptible to wind damage. Consult our installation recommendations on p. 107.



Privacy fencing with the warmth of wood

RIGID PRIVACY SLATS **LIXO® WOOD**



PEACE OF MIND

- 10-year guarantee against wood-eating insects.

PACKAGING

- 7 x 46mm slats (2 edge slats 7 x 41mm).
- 6 reinforcement elements of 1.25m adapted to small-fold or large-fold kits.
- Supplied in large or small-fold kit by height (1.50, 1.70 and 1.90m). Depending on the chosen height, each kit is designed to fully screen 1 panel.

COMPATIBILITY

- Small-fold and large-fold panels.

FEATURES

- Privacy fence slats made from Nordic spruce, autoclave treated, class 3.2
- Sourced from northern European forests, certified FSC

FINISH

- Reinforcements to fit the panel folds.
- Slats cut to the panel height.
- Natural finish (the wood blends into the outdoor environment).

SIMPLIFIED TABLE OF OPERATIONAL CLASSES (MAINLAND FRANCE)

CLASS 1	CLASS 2	CLASS 3.1	CLASS 3.2	CLASS 4
Indoors, fully protected from adverse weather, not exposed to humidification.	Indoors or under shelter, protected from adverse weather, occasional non-persistent humidification (condensation).	Not in contact with the ground, subject to frequent humidification for short periods. Complete drying between two periods of humidification.	Not in contact with the ground, subject to frequent humidification for long but not continuous periods. Complete drying between two periods of humidification.	Exterior, in contact with the ground or subject to recurring humidification or immersion in fresh water, design inducing significant water retention, very high level of humidification induced.

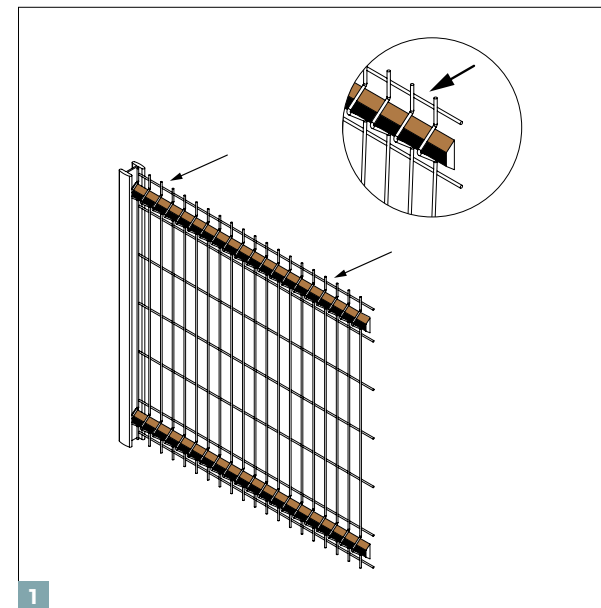
NB:

- Infestations by xylophagous insects, including termites, can occur in all operational classes.
- References for the standards to be read: EN 335, EN 350-2 and NF B 50-105-3, FD P 20651.

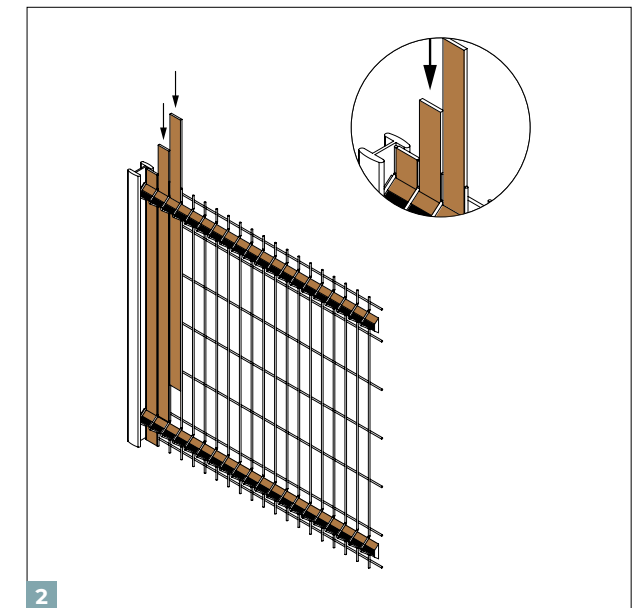
INSTALLATION PROCEDURE

Simple and intuitive installation:

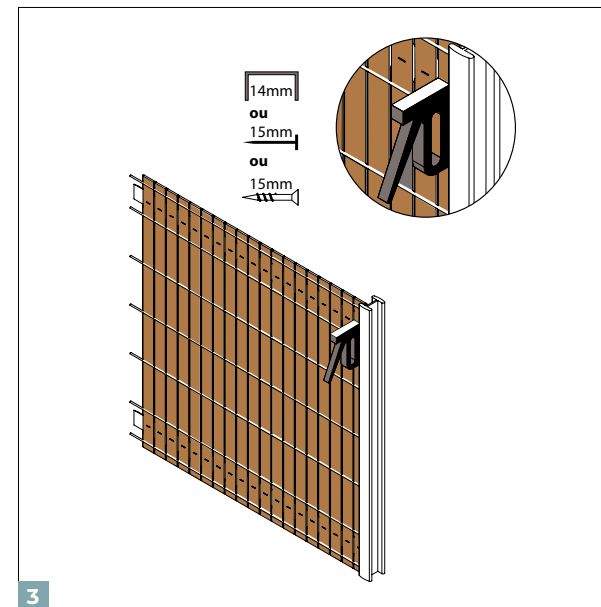
- ① To prevent the slats twisting, we recommend installation as soon as the coil is unwound.



1 Slide the reinforcement elements horizontally into the folds.



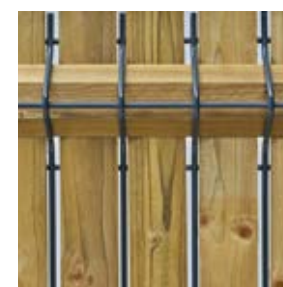
2 Slide the slats into the mesh, carefully ensuring that they are not in contact with the ground.



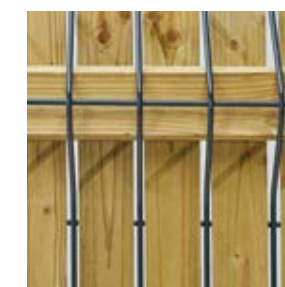
3 Attach each of the slats to the upper and lower reinforcement elements with 15mm stainless steel nails or 14mm stainless steel staples. Nails and staples not provided.



CHOICE OF 2 KITS



Kit for small-fold panels

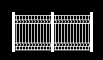


Kit for large-fold panels

WOOD IS A LIVING MATERIAL

Pockets of resin, small knots or splits are normal characteristics specific to wood. The colour of the slats may change, becoming slightly grey: this is not a defect, it is a natural wood characteristic.

Note: any privacy accessories used with fences may potentially render the fence more susceptible to wind damage. Consult our installation recommendations on p. 107.



The high-end, premium quality solution for professionals

RIGID PRIVACY SLATS

LIXO® TOP

OPTIMUM PRIVACY

FLAWLESS FINISH

- Straight slats cut to the panel height.
- Reinforcements to fit the panel folds.
- Top cap rail in a single unit to add a touch of style.

QUICK AND EASY TO INSTALL

- No tools or accessories required.
- Rigid slats (non-weavable) with patented quick attachment.

FEATURES

- Rigid PVC privacy slats
- Slat width: 48mm
- 5 heights: 1.00 to 1.90m
- 6 colours including a wood stain finish

DURABILITY

- Durable slat profile.
- 100% virgin PVC, mass-stained + anti-UV treated.
- Rot-resistant and maintenance-free solution.



Non-weavable slats



Small-fold reinforcement



Large-fold reinforcement



Top cap rail

TECHNICAL FEATURES

HEIGHT (m)	1.00	1.20	1.50	1.70	1.90
COLOURS	Beige 1015 ●, Green 6005 ●, Grey 7016 ●, Black 9005 ●, White 9010 ○, Wood stain ●				

PACKAGING

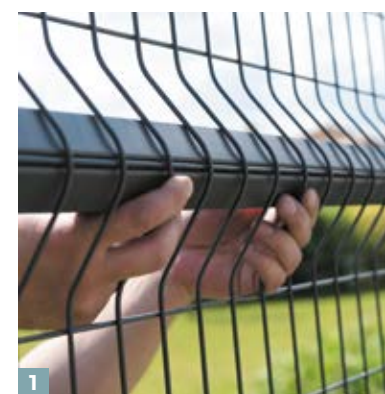
A LIXO® Top kit is designed for a 2.00 or 2.50m wide panel and includes:

- 45 rigid PVC slats:
 - 43 slats 48mm wide,
 - 2 slats 45mm wide (for the 2 mesh sections at the panel ends),
- PVC reinforcement elements for the panel folds (can be cut to fit 2m wide panels):
 - 2 reinforcement elements for heights of 1 and 1.20m,
 - 3 reinforcement elements for heights of 1.40m and above.
- *For installation with an **AXIS® S** panel, height 1.90m, allow for an additional reinforcement element per panel.
- A 2.50m long PVC top cap rail (which can be cut to fit 2.00m wide panels).

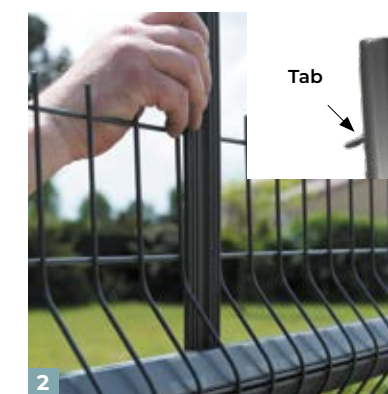
COMPATIBILITY

- With new or existing fences.
- With DIRICKX large fold panels: **AXOR®**, **AXIS® S, M** and **C** (see p. 50 to 59).
- With **AXYLE® MS** and **CS** small-fold panels (see p. 60 to 63) (only Green 6005 ● and Grey 7016 ●).

INSTALLATION PROCEDURE



1 Position a reinforcement element in the first fold of the panel (top).



2 Slide a slat (48mm), with the **tab facing the fold**, into a mesh in the centre of the panel to maintain the reinforcement element. Slide it up to the next folds. Repeat the operation for each of the folds.



3 Identify the 2 end slats (45mm). Slide them in the first mesh at each end of the panel, with the **tab facing the fold**.



4 Slide the 48mm slats in each mesh until the panel has been completely filled.



5 Fasten the cap rail at the top of the panel with the **flat side on the side of the fold of the panel** to secure the slats.

Scan this QR code to watch a video showing you how to install LIXO® Top



Note: any privacy accessories used with fences may potentially render the fence more susceptible to wind damage. Consult our installation recommendations on p. 107.



A wide range of posts and accessories for all types of applications and fences.

POSTS & ACCESSORIES

A WIDE SELECTION OF POSTS AND ACCESSORIES MEETING ALL REQUIREMENTS.





For residential applications

POSTS FOR ROLL FENCING

TE POST



CHOICE

- 2 colours depending on lengths: Green 6005 or Grey 7016.

EASY INSTALLATION

- Drilled post (9mm hole dia.) to accommodate tension wires.
- Compatible strut for ends, corner junctions and tensioning points.

FEATURES

- TE post with accessories
- Finish: plastic-coated on untreated base
- Length: 0.75 to 2.50m
- Colours: Green 6005 and Grey 7016

MULTI-PURPOSE

- 1 single post type for the start and end, corner junctions, intermediate sections and tensioning.

NOMINAL FENCE HEIGHT (m)	TE POST		COMPATIBLE STRUT		NUMBER OF ROWS OF TENSION WIRE
	LENGTH (m)	SECTION (mm)	LENGTH (m)	SECTION (mm)	
0.50	0.75	30×30×3	1.00	25×25×3	2 or 3
0.50 or 0.80	1.00		1.20		3 or 4
0.80 or 1.00	1.20		1.50		3, 4 or 5
1.00 or 1.20	1.45		2.00		4, 5 or 6
1.20 or 1.50	1.75				
1.50 or 1.75	2.00				
2.00	2.25	35×35×3.50	2.25		
	2.50				

Scan the QR code to watch a video on how to install the AXIAL® mesh with TE posts



More technical info at www.dirickx.fr



For professional applications

POSTS FOR ROLL FENCING

LONG-LIFE T & T PRO



QUALITY FINISH

- Dual plastic coating in Green 6005: Long-life T post.
- Galvanised after manufacture: T Pro post.

EASY INSTALLATION

- Drilled post (9mm hole dia. hole) to accommodate tension wires.
- Compatible strut for ends, corner junctions and tensioning points.

FEATURES

- T post with accessories
- Colours: Green 6005 and Galvanised
- Length: 1.20 to 2.50m

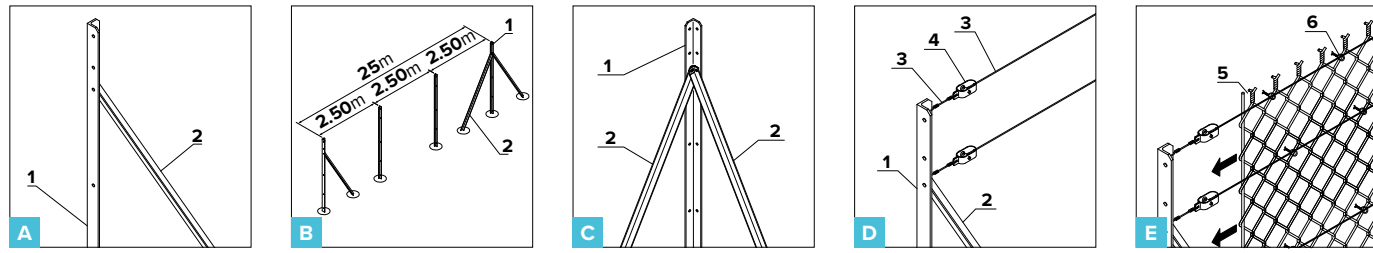
MULTI-PURPOSE

- 1 single post type for the start and end, corner junctions, intermediate sections and tensioning.



NOMINAL FENCE HEIGHT (m)	LONG-LIFE T POST		T PRO POST		COMPATIBLE STRUT		NUMBER OF ROWS OF TENSION WIRE
	LENGTH (m)	SECTION (mm)	LENGTH (m)	SECTION (mm)	LENGTH (m)	SECTION (mm)	
0.50	1.20	30×30×3	0.75	30×30×3	1.20	25×25×3	2 or 3
0.50 or 0.80			1.00				
0.80 or 1.00			1.20				
1.00 or 1.20			1.45				
1.20 or 1.50			1.75				
1.50 or 1.75	2.00	2.00	40×40×4	2.00	1.50	30×30×3	4 or 5
1.75 or 2.00	2.50	2.25					
2.00	2.50	2.50					

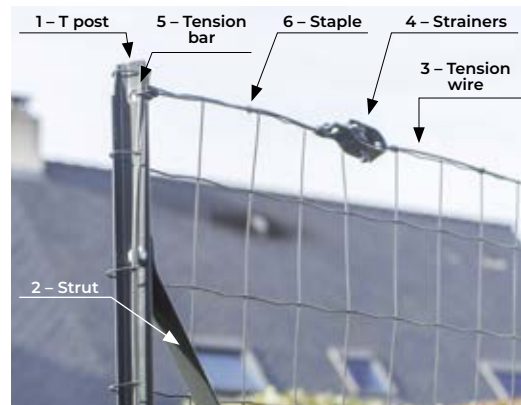
INSTALLATION PROCEDURE



A – Embed the first post with 1 strut.
 B – Embed posts every 2 to 3m (depending on the required rigidity).
 Every 25m, embed a post with 2 struts to increase its resilience.
 C – Embed a post with 2 struts at the corners.

D – Fit the tension wires with the strainers.
 E – Attach the roll by running a tension bar through the sheet, and tie or staple the binding wire between the mesh and the tension wires.

NO.	DESCRIPTION	RECOMMENDED
1	End, corner or intermediate post	TE, Long-Life T or T PRO post
2	Strut	To be used with end posts, at corner junctions and at tensioning points every 25m
3	Tension wire	Install 2 to 6 tension wires depending on the fence height
4	Strainers	1 per row of tension wire, at each angle post or end, and every 25m
5	Tension bar	1 per roll end
6	Binding wire or staples	The number of binding wires or staples depends on the number of rows of tension wire



INSTALLATION ACCESSORIES

Tension wire

MESH RANGE	WIRE DIAMETER (mm)	RELATED TENSION WIRE	RELATED STRAINER
PLASTEX® Premier 5024	2.4	2.4mm, plastic-coated	No. 2, plastic-coated
PLASTEX® Classic 5027	2.7	2.7mm, plastic-coated	No. 3, plastic-coated
PLASTEX® Heavy 5044	4.4	3mm, plastic-coated	No. 4, plastic-coated
FLUIDEX Heavy 5044	4.4	3mm, plastic-coated	No. 4, plastic-coated
GALVEX Premier 5020	2	2.2mm, galvanised	No. 2, galvanised
GALVEX Classic 5022	2.2	2.2mm, galvanised	No. 2 or 3, galvanised
GALVEX Strong 5030	3	2.7mm, galvanised	No. 3 or 4, galvanised
GALVEX Heavy 5039	3.9	2.7mm, galvanised	No. 4, galvanised
AXIAL®	2.1	2.4mm, plastic-coated	No. 2, plastic-coated
AXIAL® Premium	2.5	2.7mm, plastic-coated	No. 3, plastic-coated
BASTILLE®	3	3mm, plastic-coated	No. 4, plastic-coated



Tension bar

LENGTH (m)	DIA. (mm)	FINISH		
		PLASTIC-COATED		GALVANISED
		GREEN 6005	GREY 7016	
0.55	7	✓		
0.85		✓		
1.05		✓	✓	✓
1.30		✓	✓	✓
1.55		✓	✓	✓
1.80		✓	✓	✓
2.05		✓	✓	✓
2.55		✓		
3.05		✓		
3.55		✓		
4.10	✓			



Strainers

RANGE	FINISH	NUMBER
Classic	Grey 7016 plastic-coated ●	2
	Green 6005 plastic-coated ●	2, 3, 4
	Electro-galvanised	
Professional	Green 6005 plastic-coated ● on steel galvanised after man.	2, 3, 4
	Galvanised after manufacture	
	Stainless steel alloy	3



HOW TO CHOOSE THE STRAINER

- Tension wire ≤ 2.4mm = strainer no. 2
- Tension wire 2.4 to 2.7mm = strainer no. 2 or 3
- Tension wire ≥ 2.7mm = strainer no. 3 or 4

Binding wires

FINISH	DIA. (mm)	LENGTH (m)
Grey 7016 plastic-coated ●	1.50	50 or 100
	1.50	50 or 100
Green 6005 plastic-coated ●	1.10	50
	1.40	
	1.60	30
Class C regular galvanised*	1.30	50
Class B regular galvanised*	0.70	100
	1.30	30



* Galvanised to standard NF EN 10244-2

Staples

STAPLE LENGTH (mm)	FINISH			COMPATIBLE STAPLERS
	GALVANISED	GREEN 6005 PLASTIC-COATED ●	GREY 7016 PLASTIC-COATED ●	
16		✓	✓	Top Graf 16 Eco – Baby Graf 16/20
20	✓	✓		Major 20 – Baby Graf 16/20 – Top Graf 20/22



For all types of mesh roll fencing: chainlink and welded mesh rolls

POSTS FOR ROLL FENCING UNIVERS POST

DIRICKX
ANTI-CORROSION
GUARANTEE
10 YEARS
POLYESTER

PRIVATE HOMES



QUICK AND EASY TO INSTALL

- Fencing simply clips to the post's rack.
- 1 single post type for the start and end, intermediate sections and corner junctions.

FROM BOUNDARY DEFINITION TO SECURITY

- 3 different sections: 38, 48 or 60mm dia., selected according to the required height and resistance.
- Options to make the fence more robust and secure:
 - struts and spacer bars,
 - extension arms with Ronces barbed wire and/ or Tigre.

HOUSING COMPLEXES



PUBLIC AREAS



INSTALLATION CONFIGURATIONS

- Ideal for installing welded fences (**AXIAL**[®], **ARIZONA** and **BASTILLE**[®]).
- Also suitable for installing chainlink with tension wires.
- Suitable for all terrains: curved, angled or sloping premises.
- With embedded post or base-plated.

SERVICE SECTOR SITES



FEATURES

- Round post
- Galvanised or high adherence polyester-coated strip
- Sections: dia. 38 / 48 / 60mm
- Length: 0.70 to 3.75m depending on the section

FINISH

- Choice:
 - Galvanised steel with high adherence plastic coating,
 - Galvanised steel.

STYLE

- Rounded posts, struts and spacer bars blend in with all types of surroundings.

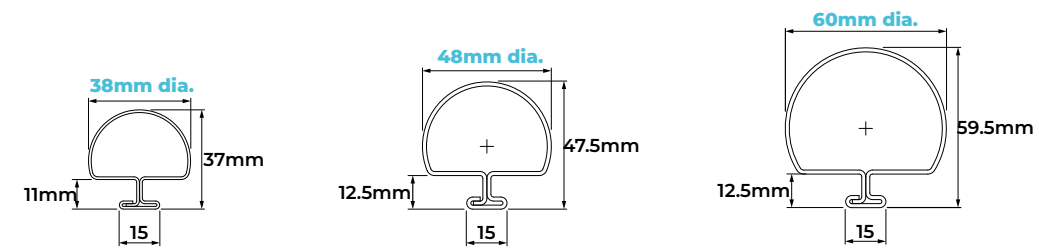
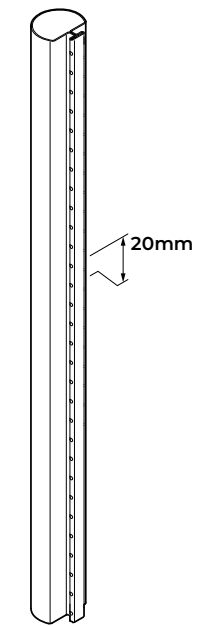
COLOURS

- 6 standard colours: ●●●●●○
- 200 **RAL** colours in the plastic-coated version.
- **Matt and textured finishes.**

TECHNICAL FEATURES

Posts

Post diameter (mm)	PLASTIC-COATED RANGE			GALVANISED RANGE
	38	48	60	60
Post length (m)		0.70		
		1.10 – 1.30	2.25 – 2.50	2.25
		1.40 – 1.50	3.00	2.50
		1.60 – 1.75	3.25 – 3.50	2.75
		2.00 – 2.25	3.75	3.00
		2.50		
	3.00			



Strut

To create a strut, you will need:
1 tube · 1 end cap · 1 collar clamp (items sold separately)

Diameter (mm)	PLASTIC-COATED RANGE		GALVANISED RANGE
	38*	48	48
Length (m)	1.00 – 1.50 – 2.00	2.00 – 2.50 – 3.00 – 3.50	2.00 – 2.50 – 3.00

* Available as a kit for 2 Green 6005 struts.
Contains: 2 plastic-coated strut end caps,
2 preformed coated collar clamps and 2 M8 x 25 stainless steel screws.



Spacer bar

To create a spacer bar, you will need: 1 tube · 2 end caps · 2 collar clamps (items sold separately)

Diameter (mm)	PLASTIC-COATED RANGE		GALVANISED RANGE
	38	48	48
Length (m)	1.50 – 2.00	2.00 – 2.50 – 3.00 – 3.50	2.00 – 2.50 – 3.00

Staple

FINISH	LENGTH X DIA. OF UNIVERS STAPLES (mm)	STAPLER
Stainless steel	29 x 3.10	UNIVERS
Galvanised steel	29 x 3.00	



INSTALLATION PROCEDURE FOR UNIVERS POST + AXIAL, ARIZONA & BASTILLE PARC

INSTALLATION PROCEDURE FOR UNIVERS POST + CHAINLINK

For fences < 2m
Installation with struts

A – Install the first post with 1 strut.

B – Install intermediate posts every 2.5 to 3m.

C – Install a tensioning post every 25m. At corner junctions, install a corner post with 2 struts.

D – Attach the mesh with UNIVERS staples using the UNIVERS stapler.

For fences ≥ 2m
Spacer bars + guy wires recommended

A – Install the end post using a spacer bar and guying kit.

B – Install intermediate posts every 2.5 to 3m.

C – Install a tensioning post every 25m. At corner junctions, install a corner post with spacer bars and guy wires.

D – Attach the mesh with UNIVERS staples using the UNIVERS stapler.

NO.	DESCRIPTION	FINISH	RECOMMENDATIONS
1	38, 48 or 60 dia. UNIVERS post	Plastic-coated or galvanised	1 per end / 1 per corner / 1 per tensioning point every 25m / 1 intermediate post every 2.50 to 3.00m
2	38 or 48 dia. strut		For fences of NH < 2m only: 1 per end / 2 per corner and tensioning point
3	38 or 48 dia. spacer bar		For fences of NH > 2m only: 1 per end / 2 per corner and tensioning point
4	38 or 48 dia. end cap	Plastic-coated or aluminium alloy	1 per strut / 2 per spacer bar
5	38, 48 or 60 dia. collar clamp + fastenings	Plastic-coated (38mm dia.) or stainless steel (48 and 60mm dia.)	1 per strut / 2 per spacer bar / 1 per tension wire end / 1 per tensioning point
6	Guying kit (cable clamp, 3.3mm dia. cable, 1x no. 3 strainer, junction plate, M6 stainless steel screws and bolts)		1 per spacer bar
7	No. 3 or 4 strainers		1 per tension wire based on the recommended number of rows (see table on p.76) at each corner, end, or tensioning point
8	2.9 dia. tension wire		Based on the recommended number of rows (see table on p.76) and the length
9	Binding wire		Approx. 25m for 25m of fencing
10	UNIVERS staples	Stainless or galvanised steel	Number of staples based on fence height (see table on p.77)
11	UNIVERS stapler	-	For attaching staples to posts

For fences < 2m
Installation with struts

A – Install the first post with 1 strut.

B – Install intermediate posts every 2.5 to 3m.

C – Install a tensioning post every 25m. At corner junctions, install a corner post with 2 struts.

D – Attach the tension wires with UNIVERS clamps.

E – Attach the mesh with UNIVERS staples using the UNIVERS STAPLER.

For fences ≥ 2m
Spacer bars + guy wires recommended

A – Install the end post using a spacer bar and guying kit.

B – Install intermediate posts every 2.5 to 3m.

C – Install a tensioning post every 25m. At corner junctions, install a corner post with spacer bars and guy wires.

D – Attach the tension wires with UNIVERS clamps.

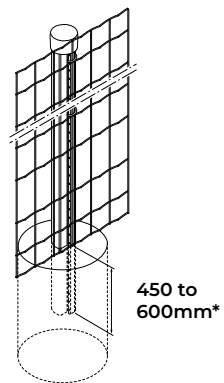
E – Attach the mesh with UNIVERS staples using the UNIVERS stapler.

Scan this QR code to watch a video on how to install the chainlink mesh with UNIVERS posts

INSTALLATION CONFIGURATIONS

Installation by embedding

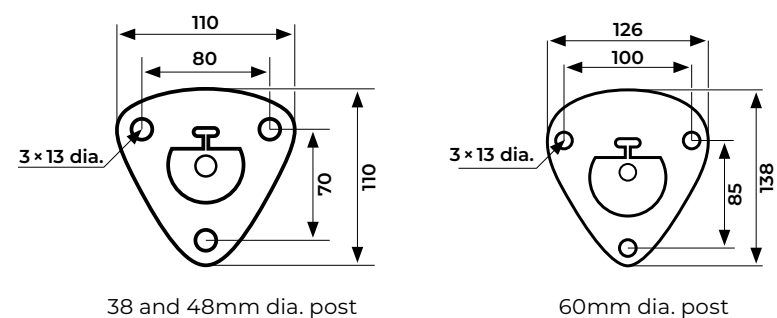
- Most common choice for standard terrain.



* For guidance only: to be adapted based on soil and region.

Installation with base-plated posts

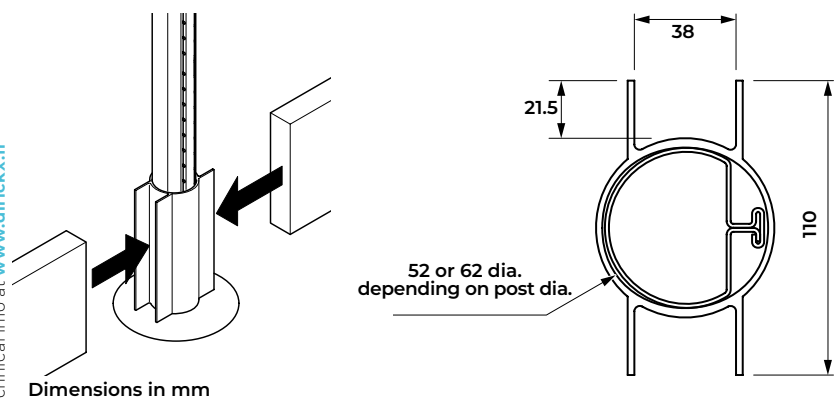
- Suited to wall or concrete floor installation.
- Avoids boring into the existing wall or concrete floor.
- Requires spacer bars (installation using struts impossible).
- Fastenings not supplied – to be adapted based on wall type and region.



Dimensions in mm

Installation with concrete gravel board

- Ensures site cleanliness and ease of maintenance, while also protecting the lower section (the board can be embedded slightly).
- Take 1 long embedding post and measure the height of the board. Insert the board guiding accessory in the post and fit the concrete gravel board.
- Only for posts with a 48 and 60mm dia. section.
- Recommended: install with spacer bars.



Post / roll and chainlink fencing combinations

NOMINAL FENCE HEIGHT (m)	UNIVERS POST LENGTH			POST SECTION (mm)	RECOMMENDED NUMBER OF STAPLES*	NUMBER OF ROWS OF TENSION WIRE	RECOMMENDED INSTALLATION AREA BASED ON WIND LOAD**	
	SHORT EMBEDDING (m)	LONG EMBEDDING (m)	WELDED TO PLATE (m)					
0.50	0.75	1.00	0.55	dia. 38	2	R5		
0.80	1.00	1.25	0.85					
1.00	1.25	1.50	1.05					
1.20	1.50	1.75	1.25	dia. 38 - 48:	3	dia. 38: R5 (normal site) – R4 (exposed site)		
1.25						1.50		
1.40	1.75	2.00	1.45			dia. 38: R4 (normal site) R3 (exposed site)		
1.50						1.55	2.00	
1.75						1.75	2.00	
1.80	2.00	2.25	1.85	dia. 48 - 60	4	dia. 38: R3 (normal site) – R2 (exposed site)		
2.00						2.25	2.50	2.50
2.25	2.50	2.75	2.25			dia. 48: R5 (normal site) – R4 (exposed site)		
2.50						2.75	3.00	3.25
3.00						3.25	3.50	3.05
2.25	2.50	2.75	2.25	dia. 48 - 60	5	dia. 60: R5		
2.50						2.75	3.00	2.55
2.75	2.75	3.00	2.55			dia. 48: R4 (normal site) R3 (exposed site)		
3.00						3.25	3.50	3.05
3.00	3.25	3.50	3.05			dia. 48 - 60	6	dia. 48: R3 (normal site) – R2 (exposed site)
3.25				3.50	3.05			3.05
3.50	3.50	3.05	3.05	dia. 48: R1 (normal site)				
3.75				3.50	3.05			3.05
4.00	3.50	3.50	3.05	dia. 48 - 60	7			R2 (normal site) R1 (exposed site)
4.25						3.50	3.05	3.05

* Use more staples in sensitive points of the fence (at the ends, tensioning points and corners). ** See wind load chart on p. 107



Chainlink mesh with UNIVERS posts



DIRICKX
ANTI-CORROSION
GUARANTEE
10 YEARS
POLYESTER

For traditional panel installation

RECTANGULAR POSTS WITH BRACKETS

REX POST

PUBLIC AREAS



SERVICE SECTOR SITES



INDUSTRIAL & LOGISTICS SITES



INSTALLATION

- Traditional installation: all posts embedded and panels slotted on:
 - limited adjustments,
 - steps can be adjusted to the required size.
- Cap with hooks to hold the panel in place and make it easier to slot onto the post.
- Compatible with all panels on the market: with folds and double wires, uncut.
- The system can be dismantled from inside the site making modifications and repairs easier.

RESILIENT

- 2 thicknesses depending on post length.
- Stainless steel brackets: quantity to be adapted to the desired level of security.

FEATURES

- Rectangular post with stainless steel brackets
- Embedded
- High adherence polyester-coated Sendzimir steel strip
- Section: 60 x 40mm
- Length: 1.50 to 3m
- Colours: Green 6005 ● and Grey 7016 ●
- Thickness:
 - 1.5mm for lengths of 1.50m, 2.00m and 2.50m
 - 2mm for a length of 2.00m

TECHNICAL FEATURES

FENCE HEIGHT (m)	POST LENGTH (m)	RECOMMENDED NUMBER OF BRACKETS PER POST
1.00 or 1.20	1.50*	2
1.50 or 1.70	2.00*	3
1.90 or 2.00	2.50*	4
2.20 or 2.40	3.00*	

* Use 1 cap per post.

FASTENING SYSTEM

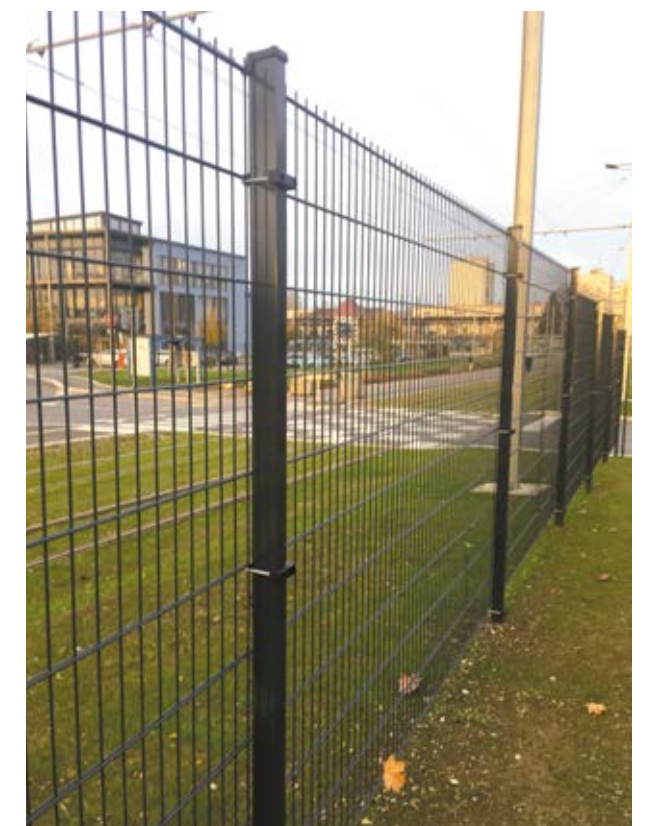
- 1 bag of fastenings includes:
 - a stainless steel bracket with 2x M6 nuts,
 - a black plastic rear plate,
 - a black plastic post/panel spacer bar.



ADDITIONAL PRODUCTS



- Panels - small folds, no cut-away: **AXYLE® MS** and **CS** (see p.60 to 63).



- Flat panels: **AXOR® Chic** (see p.52 - 53), **AXIS® D** and **DR** (see p.66 to 69).



DIRICKX
ANTI-CORROSION
GUARANTEE
10 YEARS
POLYESTER

For boundary demarcation and privacy screening on residential and service-sector sites

POSTS FOR PANEL FENCING

AXYLE® H-SHAPED POST

RESILIENT

- Resistance tests show the **AXYLE®** post to be the strongest solution on the market.
- Additional resistance for the post thanks to a range of reinforcements. Possible to install before or after assembling.
- 2 base-plate models.

ATTRACTIVE

- Sober and refined look with its I beam.
- Identical interior and exterior surface.
- Perfect finish thanks to the cap covering the post.

INSTALLATION

- Choice:
 - plastic clip for small lengths: panels can be uninstalled and reinstalled,
 - metal clip: to ensure it is installed safely, install using **AXYLE®** pliers.

VERSATILE

- A single post, for ends and corners.
- Steps arranged at 2cm intervals.
- Embedded installation in forward sequence, base plate installation.

FEATURES

- H-shaped post
- High adherence polyester-coated galvanised steel strip
- Section: 80mm x 45mm
- 11 lengths
- Metal clips: Green 6005, Grey 7016, Black 9005
- Metal clips: Green 6005, Black 9005
- Range of reinforcements for wind load environments 2, 3-4, 5
- Extension arm and earthing range for security applications

Compatible with:

- Flat panels: **AXOR® Chic** (see p. 52 - 53), **AXIS® D** and **DR** (see p. 66 to 69),
- Small-fold panels: **AXYLE® MS** and **CS** (see p. 60 to 63),
- Large-fold panels: **AXIS® S** (see p. 54 - 55).
- **ELIXIR®** barred railings (see p. 110 - 111).

COLOURS

- 6 standard colours: ●●●●●○
- 200 **RAL** colours.
- **Matt and textured finishes.**

PRIVATE HOMES



PUBLIC AREAS



SERVICE SECTOR SITES



INDUSTRIAL & LOGISTICS SITES



TECHNICAL FEATURES

NOMINAL FENCE HEIGHT (mm)	EMBEDDED		SCREW-ON / BASE-PLATED		NUMBER OF CLIPS PER POST
	LENGTH (VERTICAL)	EMBEDDED LENGTH	LENGTH (VERTICAL)	TO BE CUT TO SIZE	
600	1000	400	1000	400	2
800	1500	700		200	
1000		500		–	
1200	1700	600	1500	300	3
1400				500	
1500	2000	500	–	–	
1600		600	100		
1700	2200	500	1700	–	
1800		600	200		
1900	2400	500	2000	100	
2000				–	
2200	2700 / 3100	500 / 900	2200	–	4
2400	3100	700			
2600		500			

INSTALLATION CONFIGURATIONS

Installation with concrete gravel board

- Facilitates maintenance of site boundaries and allows for better ground-level protection as well (possibility of embedding).
- Inserts directly into the sides of the posts; without accessories.
- Use long embedding posts + board height (20cm).

Concrete gravel board not sold by DIRICKX. We can provide the manufacturers' contact details on request.

Base plate installation

- 2 models with sleeves:
 - Model 1 has a 5mm thick plate,
 - Model 2 has a 10mm thick plate for reinforced sturdiness ensuring the same performance as an embedded post.

Installation with reinforcements

- Initial.
- Second installation.

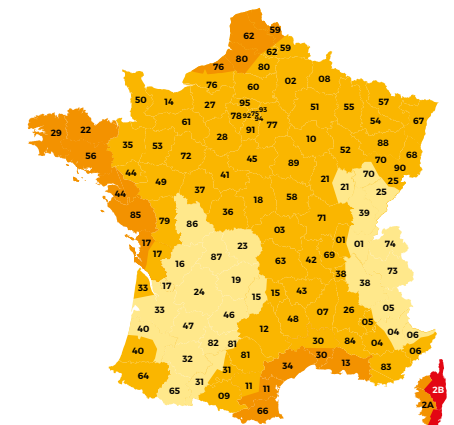


AXYLE® reinforcement post

RECOMMENDATIONS FOR INSTALLING THE AXYLE® POST WITH PRIVACY FENCING

	CATEGORY 0	CATEGORY II	CATEGORY IIIA	CATEGORY IIIB	CATEGORY IV
Region 1	Environment 2	Environment 2	Environment 2	Environment 2	Environment 2
Region 2	Environment 2	Environment 2	Environment 2	Environment 2	Environment 2
Region 3	Environment 2	Environment 2	Environment 2	Environment 2	Environment 2
Region 4 + Overseas France	Environment 3-4	Environment 3-4	Environment 3-4	Environment 3-4	Environment 3-4

AXYLE® post AXYLE® post + reinforcement - environment 2
 AXYLE® post + reinforcement - environment 3-4



REGIONS 1 2 3 4

TERRAIN CATEGORY	
0	Sea or coastal areas
II	Open rural areas
IIIA	Rural areas with hedges
IIIB	Peri-urban areas
IV	Urban areas

+ DIRICKX

Dirickx is the only manufacturer to offer a 10-year guarantee* on its AXYLE® post solutions, panels and related privacy fencing systems, which provide privacy fences up to 2m high depending on the region and terrain category.

Scan the QR code to watch a video on how to install the AXYLE® H-shaped post

* Subject to the terms of use laid out in the ad hoc document published by Dirickx (available upon request and downloadable from the following link: <http://www.dirickx.fr/medias/document-ad-oc-garanties.pdf>).



DIRICKX
ANTI-CORROSION
GUARANTEE
10 YEARS
POLYESTER
DIRICKX
ANTI-CORROSION
GUARANTEE
PROTECT +

For boundaries
on residential
sites

POSTS FOR PANEL FENCING

AXOR® SLOTTED POST

PRIVATE HOMES



HOUSING COMPLEXES



PUBLIC AREAS



SERVICE SECTOR SITES



VERSATILE

- Optimum mechanical strength for fences of up to 2m in height.
- Compatible with:
 - **AXIS® S, M** and **C** panels (see p. 54 to 59),
 - **AXYLE® MD** and **CD** panels (see p. 60 to 63),
 - **ELIXIR®** barred railings (see p. 110 - 111).
- Suitable for all terrains: curved, angled or sloping premises.
- Wide range of possible configurations: long or short embedding, on base plates, with concrete gravel boards, with extension arms.

STYLE

- The sleek profile blends seamlessly with its surroundings.

QUICK AND EASY TO INSTALL

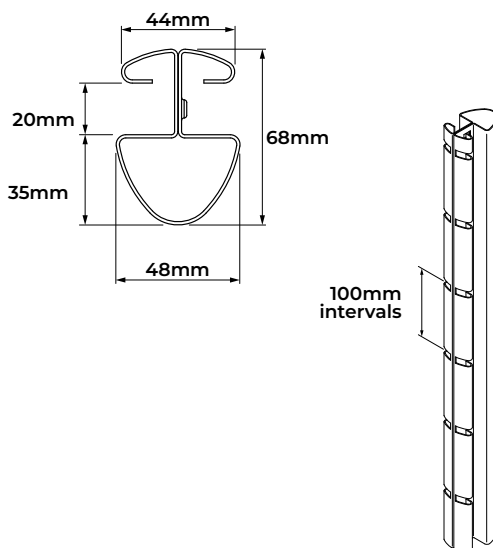
- Installation in forward sequence with no accessories required: the panels slot into grooves on the posts.
- A single post for all configurations: start and end, intermediate section, corner, etc.

COLOURS

- 6 standard colours: ●●●●●○
- 200 RAL colours.
- **Matt and textured finishes.**

FEATURES

- Slotted posts
- High adherence polyester-coated galvanised steel strip
- Section: 68 x 48mm
- Length: 0.70m to 2.70m



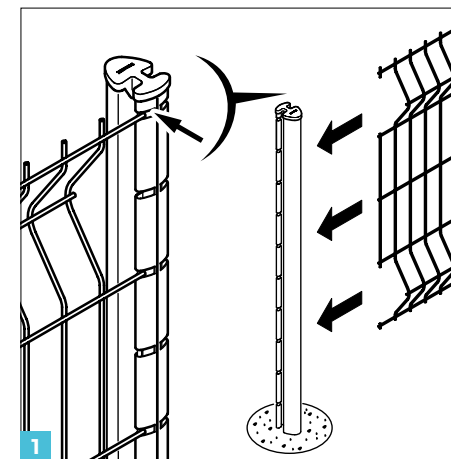
Combined with AXOR® posts/AXOR®, AXIS® S, C and M, AXYLE® CD and MD panels, depending on the type of installation (excluding privacy systems)

NOMINAL FENCE HEIGHT (m)	POST LENGTH (M)			ON AXOR® BASE PLATE	RECOMMENDED THRESHOLD INSTALLATION AREA FOR LONG-EMBEDDED POSTS BASED ON WIND LOAD*
	LONG EMBEDDING (30 to 50cm) ⁽¹⁾	SHORT EMBEDDING (20 to 40cm) ⁽¹⁾	WELDED TO PLATE		
0.60	1.10	0.90	0.65	0.70	R5
0.80	1.20	1.10	0.85	0.90	
1.00	1.40	1.20	1.05	1.10	
1.20	1.70	1.40	1.25	-	R4 (exposed site)
1.40	1.90	1.60	1.45		
1.50	2.00	1.70	1.55		
1.60	2.00	1.90	1.65		
1.70	2.20	2.00	1.75		
1.80	2.20	2.20	1.85		
1.90	2.40	2.20	1.95		
2.00	2.50/2.70	2.40	2.05		R2 (normal site)

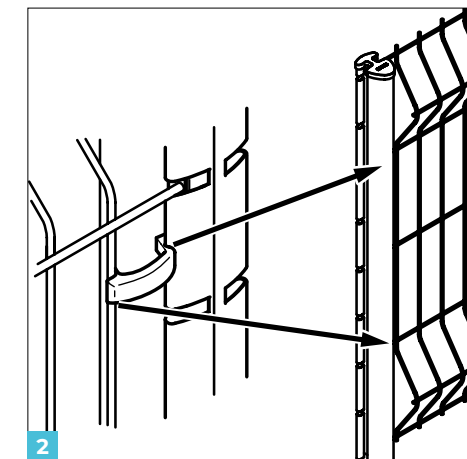
(1) For guidance only: to be adapted to soil and wall type as well as to the installation area. * See our recommendations on p. 107.

INSTALLATION SYSTEM

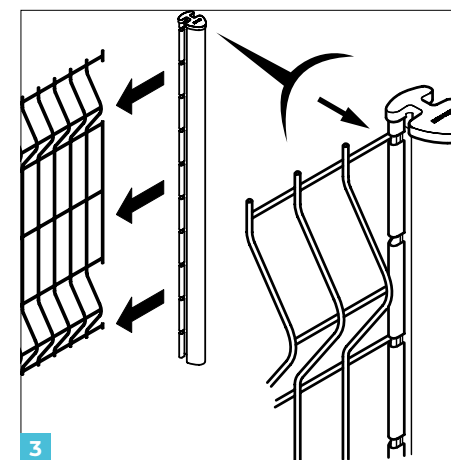
INSTALLATION IN FORWARD SEQUENCE



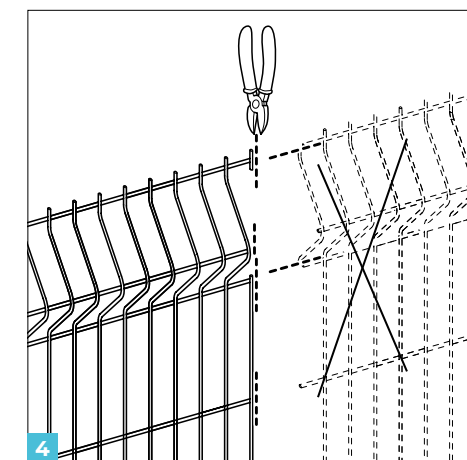
1 Embed the first post using quick set concrete. Slot the first panel into the grooves in the post provided for this purpose.



2 Place the panel wires in the post grooves. Position the **AXOR®** wedges to make it easier to position and tension the panels between the posts while the concrete sets.



3 Slot the second post onto the panel by rotating it and fit the wedges. Repeat the operation and remove the wedges after the concrete has set.

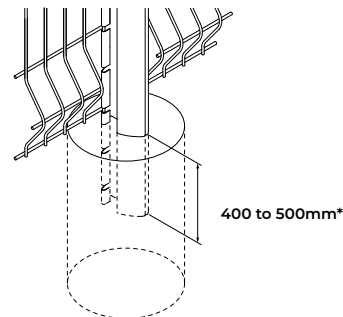


4 The final panel sometimes needs to be cut to achieve the exact required length.

INSTALLATION CONFIGURATIONS

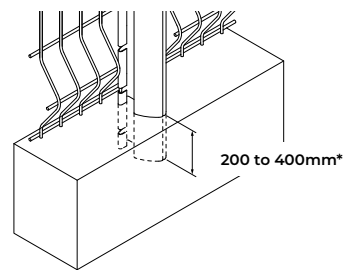
Long embedding

- Most common choice for standard terrain.



Short embedding

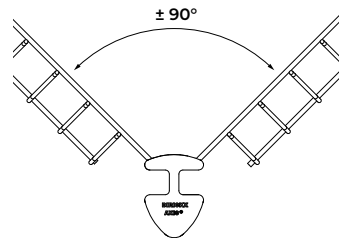
- Suitable for embedding in walls or stony ground.



* For guidance only: to be adapted based on soil and region.

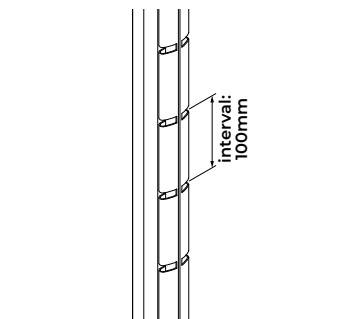
Angle

- Angle adjustments for +/- 90°.



Steps

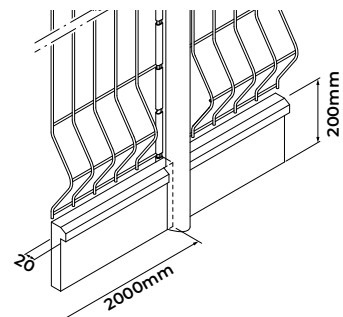
- Adjustment slots all along the post, at 100mm intervals.



Installation with concrete gravel board

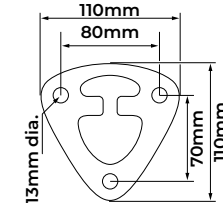
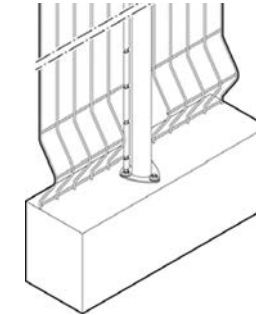
- Facilitates maintenance of site boundaries and allows for better ground-level protection as well (possibility of embedding).
- Inserts directly into the sides of the posts; without accessories.
- Use long embedding posts + board height (25 or 50cm).

Concrete gravel board not sold by DIRICKX. We can provide the manufacturers' contact details on request.



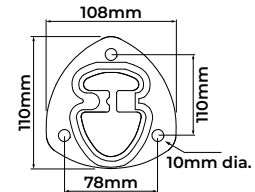
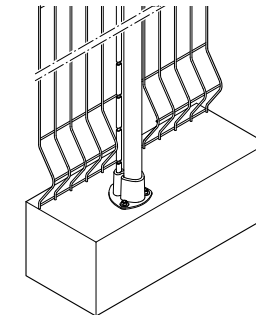
Installation with posts on welded base plates

- Suitable for wall or ground installation.
- Avoids boring into concrete.



Installation on AXOR® plate

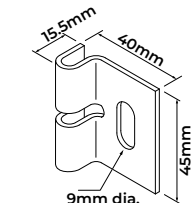
- Aluminium plate suitable for installation on a wall* or on the ground for fences of up to 1m above ground.
- * Depending on the type of wall.



Fastening

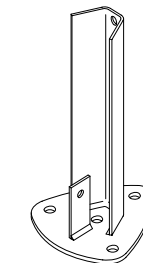
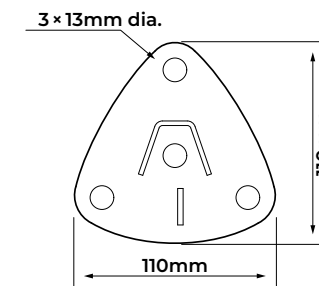
- Saves a post.
- Allows for assembly directly from a wall or AXOR® gate post.

Sold in bags of 4 units.



Installation with posts on sleeve plate

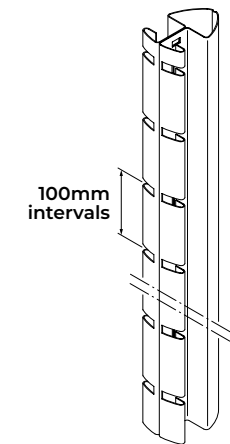
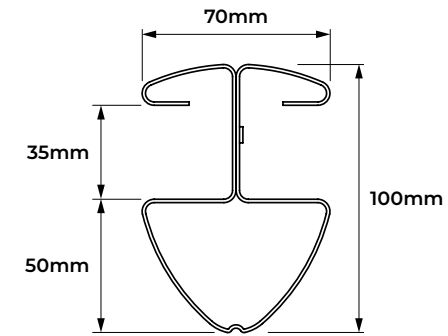
- Suited for repairs on wall or concrete floor.
- For use with 1 unit only per length.
- Excluded from the 10-year anti-corrosion guarantee.
- Limitations for use:
 - for fencing of up to 1.60m in region 4,
 - for fencing of up to 1.80m in region 3,
 - for fencing of up to 2m in region 2.
- Order posts that are longer than the fence and cut them down as indicated in the "welded to plate" column of the table on p. 99.



Note: any privacy accessories used with fences may potentially render the fence more susceptible to wind damage. Consult our installation recommendations on p. 107.



TECHNICAL FEATURES



For the protection and security of high-risk sites

POSTS FOR PANEL FENCING

AXIS® SLOTTED POST



PUBLIC AREAS



SERVICE SECTOR SITES



INDUSTRIAL & LOGISTICS SITES



SENSITIVE SITES



SECURITY

- Optimum mechanical strength for all heights up to 3m.
- Recommended for fences fitted with privacy systems up to 1.90m.
- Extension arms and earthing for applications where security is a priority.

CHOICE

- Compatible with:
 - **AXIS® S, M and C** panels (see p. 54 to 59),
 - **AXIS® SR, D and DR** panels (see p. 64 to 69),
 - **AXYLE® MD and CD** panels (see p. 60 to 63),
 - **ELIXIR®** barred railings (see p. 110 to 111).
- Wide range of possible configurations: on base plates, on walls, with concrete gravel boards, surface mounting, earthing, extension arms, etc.

QUICK AND EASY TO INSTALL

- Installation in forward sequence with no accessories required: the panels slot into grooves on the posts.
- A single post for all configurations: start and end, intermediate section, corner, etc.
- Suitable for all terrains: curved, angled or sloping premises.

FEATURES

- Slotted posts
- High adherence polyester-coated galvanised steel strip
- Section: 100 x 70mm

COLOURS

- 6 standard colours: ●●●●●○
- 200 RAL colours.
- **Matt and textured finishes.**

Combinations of AXIS® posts / AXIS® panels by installation type

NOMINAL FENCE HEIGHT (m)	POST LENGTH (M)				RECOMMENDED THRESHOLD INSTALLATION AREA FOR LONG-EMBEDDED POSTS BASED ON WIND LOAD*
	LONG EMBEDDING (30 to 50cm) ⁽¹⁾	SHORT EMBEDDING (20 to 40cm) ⁽¹⁾	WELDED TO PLATE	SURFACE MOUNTED	
1.00	1.40	1.20	1.05	1.40	R5
1.20	1.60	1.40	1.25	1.60	
1.40	1.80	1.60	1.40	1.80	
1.50	2.00	1.80	1.55	2.00	
1.60	2.00	1.80	1.65	2.00	
1.70	2.20	2.00	1.75	2.20	
1.80	2.20	2.00	1.85	2.20	
1.90	2.40	2.20	1.95	2.40	R4 (exposed site) R4 (exposed site)
2.00	2.50	2.40	2.05	2.50	
2.20	2.70	2.50	2.25	2.70	R4 (exposed site)
2.40	2.90	2.70	2.45	2.90	
2.60	3.10	2.90	–	3.10	R4 (normal site)
3.00	3.70/3.90	3.50	–	–	R2 (normal site)

(1) For guidance only: to be adapted to soil and wall type as well as to the installation area. * See our recommendations on p. 107.

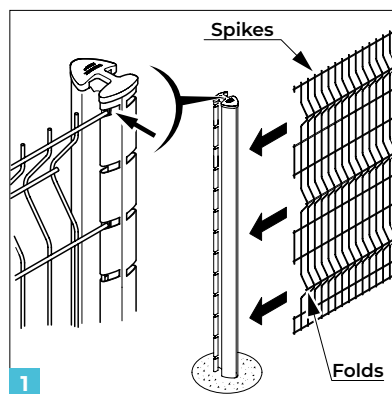


Note: any privacy accessories used with fences may potentially render the fence more susceptible to wind damage. Consult our installation recommendations on p. 107.

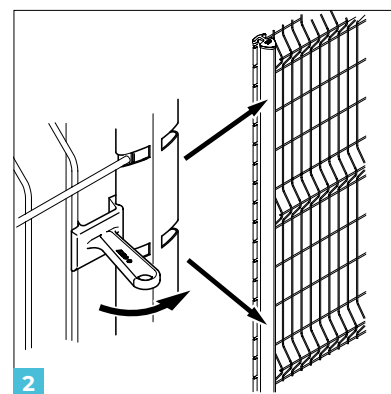


INSTALLATION SYSTEM

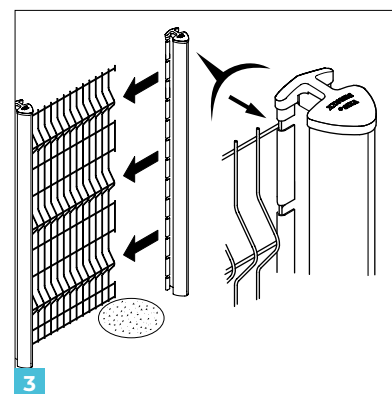
Installation in forward sequence



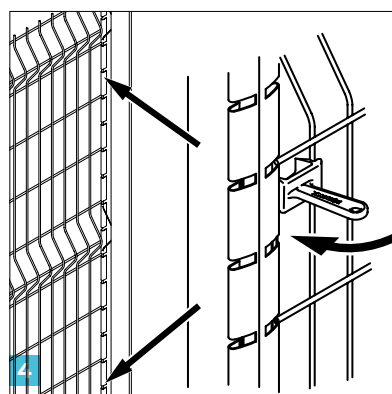
1 Embed the first post and slot in the first panel (adjustable spikes on top and bottom, see recommendation on p. 103).



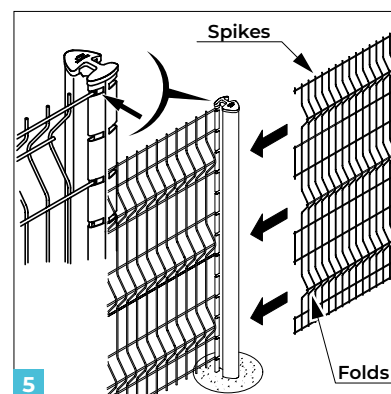
2 Position 2 AXIS® wedges to hold the panel in position on the post while the embedding material sets.



3 Slot the second post onto the panel.



4 Position 2 AXIS® wedges and embed the second post.

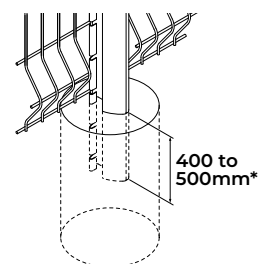


5 Slot in the second panel. Repeat these steps. Once installation is complete, remove the AXIS® wedges (they can be reused).

INSTALLATION CONFIGURATIONS

Long embedding

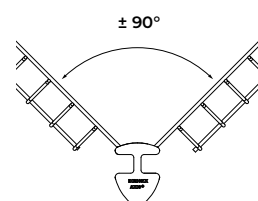
• Most common choice for standard terrain.



* For guidance only: to be adapted based on soil and region.

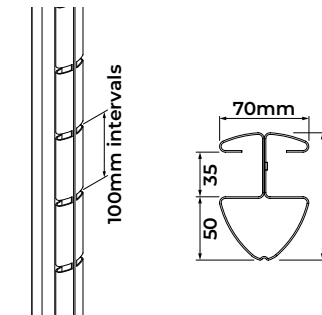
Angle

• Angle adjustments for +/- 90°.



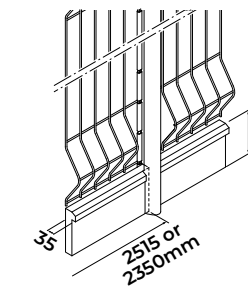
Steps

- Adjustment slots all along the post, at 100mm intervals.
- Installation with steps: calculate post length based on the required offset (100mm intervals).



Installation with concrete gravel board

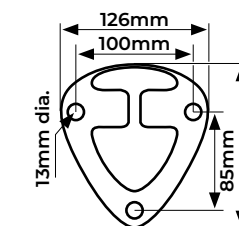
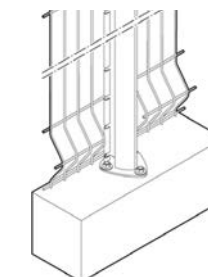
- Facilitates maintenance of site boundaries and allows for better ground-level protection as well (possibility of embedding).
- Inserts directly into the sides of the posts; without accessories.
- Use long embedding posts + board height (25 or 50cm).



Concrete gravel board not sold by DIRICKX. We can provide the manufacturers' contact details on request.

Installation with posts on welded base plates

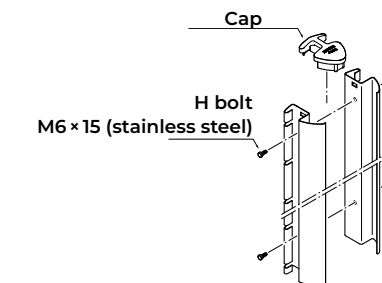
- Suitable for wall or ground installation.
- Avoids boring into concrete.



AFTER-SALES SERVICE & REPAIRS

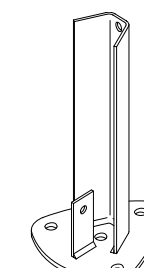
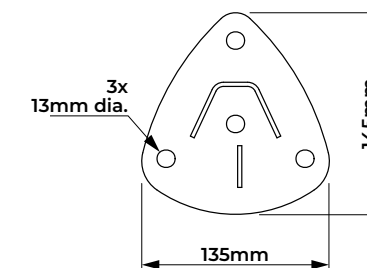
Repair post

- For replacing damaged posts or panels.
- Can also be used to open a site temporarily.
- Post supplied with fastenings and cap.



Installation with posts on sleeve plate

- Suited for repairs on wall or concrete floor.
- For use with 1 unit only per length.
- Excluded from the 10-year anti-corrosion guarantee.
- Limitations for use:
 - for fencing of up to 1.60m in region 4,
 - for fencing of up to 1.80m in region 3,
 - for fencing of up to 2m in region 2.
- Order posts that are longer than the fence and cut them down as indicated in the "welded to plate" column of the table on p. 103.



Note: any privacy accessories used with fences may potentially render the fence more susceptible to wind damage. Consult our installation recommendations on p. 107.

OPTIONS

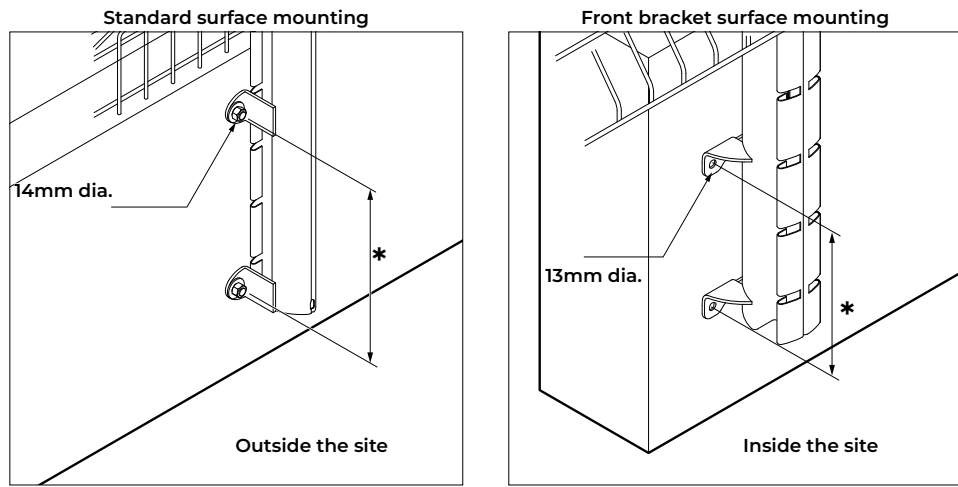
Fence fastening bracket

- Allows for assembly directly from a wall or gate post.
- Length of 990mm – adjust on site.



Surface mount

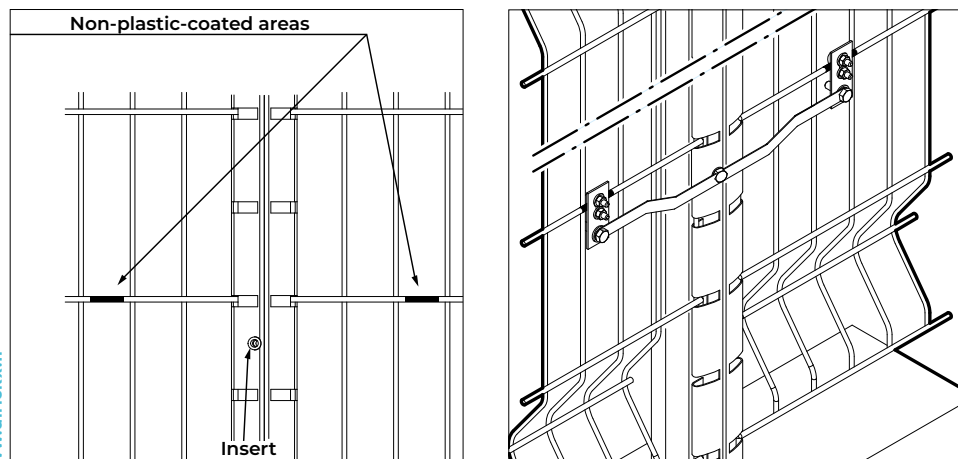
- Suited for wall installation, notably if the wall is thin.
- 2 surface-mounted models:
 - standard surface mounting, for the site's exterior,
 - front bracket surface mounting, for the site's interior.
- Screws are out of reach (situated on the site's interior).
- Screws not included. To be adapted according to walls and regions.



*210 or 310mm depending on fence height

Earthing

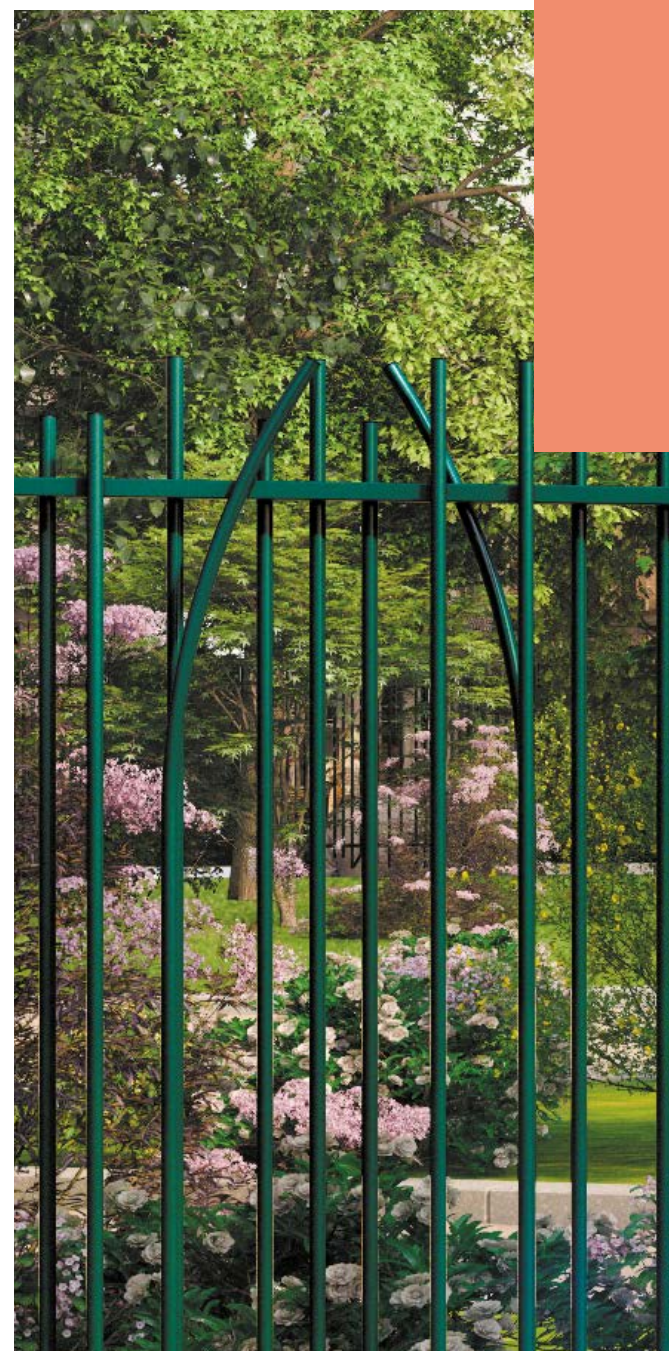
- Protection against electrocution (lightning, faulty connections in high-risk areas, etc.).
- A solution that meets the requirements of specifications for sensitive sites.
- Accessories not supplied (braids, connection plates, cable clamps and fastenings).



More technical info at www.dirickx.fr

RECOMMENDATIONS FOR THE INSTALLATION OF POSTS WITH PANELS EQUIPPED WITH PRIVACY SLATS

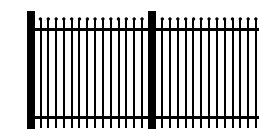
REGION 1							RECOMMENDED INSTALLATION TYPE
FENCE CENTRE DISTANCE	FENCE HEIGHT	CATEGORY 0	CATEGORY II	CATEGORY IIIA	CATEGORY IIIB	CATEGORY IV	
2.00m ARISTA - AXOR® rigid panels	1.00m	AXOR, AXS, AXYLE, AXYLE + REINFORCEMENT	AXOR, AXS, AXYLE, AXYLE + REINFORCEMENT	AXOR, AXS, AXYLE, AXYLE + REINFORCEMENT	AXOR, AXS, AXYLE, AXYLE + REINFORCEMENT	AXOR, AXS, AXYLE, AXYLE + REINFORCEMENT	Embedded or on welded plates (excluding removable plates)
	1.20m	AXOR, AXS, AXYLE, AXYLE + REINFORCEMENT	AXOR, AXS, AXYLE, AXYLE + REINFORCEMENT	AXOR, AXS, AXYLE, AXYLE + REINFORCEMENT	AXOR, AXS, AXYLE, AXYLE + REINFORCEMENT	AXOR, AXS, AXYLE, AXYLE + REINFORCEMENT	
	1.50m	AXS, AXYLE	AXOR, AXS, AXYLE, AXYLE + REINFORCEMENT	AXOR, AXS, AXYLE, AXYLE + REINFORCEMENT	AXOR, AXS, AXYLE, AXYLE + REINFORCEMENT	AXOR, AXS, AXYLE, AXYLE + REINFORCEMENT	Embedded only
	1.70m	AXS, AXYLE	AXS, AXYLE	AXS, AXYLE	AXS, AXYLE	AXS, AXYLE	
	1.90m	AXS, AXYLE	AXS, AXYLE	AXS, AXYLE	AXS, AXYLE	AXS, AXYLE	
2.50m AXIS® - AXYLE® rigid panels	1.00m	AXOR, AXS, AXYLE, AXYLE + REINFORCEMENT	AXOR, AXS, AXYLE, AXYLE + REINFORCEMENT	AXOR, AXS, AXYLE, AXYLE + REINFORCEMENT	AXOR, AXS, AXYLE, AXYLE + REINFORCEMENT	AXOR, AXS, AXYLE, AXYLE + REINFORCEMENT	Embedded or on welded plates (excluding removable plates)
	1.20m	AXOR, AXS, AXYLE, AXYLE + REINFORCEMENT	AXOR, AXS, AXYLE, AXYLE + REINFORCEMENT	AXOR, AXS, AXYLE, AXYLE + REINFORCEMENT	AXOR, AXS, AXYLE, AXYLE + REINFORCEMENT	AXOR, AXS, AXYLE, AXYLE + REINFORCEMENT	
	1.50m	AXYLE	AXS, AXYLE	AXS, AXYLE	AXS, AXYLE	AXS, AXYLE	Embedded only
	1.70m	AXYLE	AXS, AXYLE	AXS, AXYLE	AXS, AXYLE	AXS, AXYLE	
	1.90m	AXYLE	AXS, AXYLE	AXS, AXYLE	AXS, AXYLE	AXS, AXYLE	
REGION 2							RECOMMENDED INSTALLATION TYPE
FENCE CENTRE DISTANCE	FENCE HEIGHT	CATEGORY	CATEGORY II	CATEGORY IIIA	CATEGORY IIIB	CATEGORY IV	
2.00m ARISTA - AXOR® rigid panels	1.00m	AXOR, AXS, AXYLE, AXYLE + REINFORCEMENT	AXOR, AXS, AXYLE, AXYLE + REINFORCEMENT	AXOR, AXS, AXYLE, AXYLE + REINFORCEMENT	AXOR, AXS, AXYLE, AXYLE + REINFORCEMENT	AXOR, AXS, AXYLE, AXYLE + REINFORCEMENT	Embedded or on welded plates (excluding removable plates)
	1.20m	AXOR, AXS, AXYLE, AXYLE + REINFORCEMENT	AXOR, AXS, AXYLE, AXYLE + REINFORCEMENT	AXOR, AXS, AXYLE, AXYLE + REINFORCEMENT	AXOR, AXS, AXYLE, AXYLE + REINFORCEMENT	AXOR, AXS, AXYLE, AXYLE + REINFORCEMENT	
	1.50m	AXS, AXYLE	AXS, AXYLE	AXS, AXYLE	AXS, AXYLE	AXS, AXYLE	Embedded only
	1.70m	AXS, AXYLE	AXS, AXYLE	AXS, AXYLE	AXS, AXYLE	AXS, AXYLE	
	1.90m	AXYLE	AXS, AXYLE	AXS, AXYLE	AXS, AXYLE	AXS, AXYLE	
2.50m AXIS® - AXYLE® rigid panels	1.00m	AXOR, AXS, AXYLE, AXYLE + REINFORCEMENT	AXOR, AXS, AXYLE, AXYLE + REINFORCEMENT	AXOR, AXS, AXYLE, AXYLE + REINFORCEMENT	AXOR, AXS, AXYLE, AXYLE + REINFORCEMENT	AXOR, AXS, AXYLE, AXYLE + REINFORCEMENT	Embedded or on welded plates (excluding removable plates)
	1.20m	AXOR, AXS, AXYLE, AXYLE + REINFORCEMENT	AXOR, AXS, AXYLE, AXYLE + REINFORCEMENT	AXOR, AXS, AXYLE, AXYLE + REINFORCEMENT	AXOR, AXS, AXYLE, AXYLE + REINFORCEMENT	AXOR, AXS, AXYLE, AXYLE + REINFORCEMENT	
	1.50m	AXYLE + REINFORCEMENT	AXS, AXYLE	AXS, AXYLE	AXS, AXYLE	AXS, AXYLE	Embedded only
	1.70m	AXYLE + REINFORCEMENT	AXS, AXYLE	AXS, AXYLE	AXS, AXYLE	AXS, AXYLE	
	1.90m	AXYLE + REINFORCEMENT	AXS, AXYLE	AXS, AXYLE	AXS, AXYLE	AXS, AXYLE	
REGION 3							RECOMMENDED INSTALLATION TYPE
FENCE CENTRE DISTANCE	FENCE HEIGHT	CATEGORY 0	CATEGORY II	CATEGORY IIIA	CATEGORY IIIB	CATEGORY IV	
2.00m ARISTA - AXOR® rigid panels	1.00m	AXOR, AXS, AXYLE, AXYLE + REINFORCEMENT	AXOR, AXS, AXYLE, AXYLE + REINFORCEMENT	AXOR, AXS, AXYLE, AXYLE + REINFORCEMENT	AXOR, AXS, AXYLE, AXYLE + REINFORCEMENT	AXOR, AXS, AXYLE, AXYLE + REINFORCEMENT	Embedded or on welded plates (excluding removable plates)
	1.20m	AXOR, AXS, AXYLE, AXYLE + REINFORCEMENT	AXOR, AXS, AXYLE, AXYLE + REINFORCEMENT	AXOR, AXS, AXYLE, AXYLE + REINFORCEMENT	AXOR, AXS, AXYLE, AXYLE + REINFORCEMENT	AXOR, AXS, AXYLE, AXYLE + REINFORCEMENT	
	1.50m	AXS, AXYLE	AXOR, AXS, AXYLE, AXYLE + REINFORCEMENT	AXOR, AXS, AXYLE, AXYLE + REINFORCEMENT	AXOR, AXS, AXYLE, AXYLE + REINFORCEMENT	AXOR, AXS, AXYLE, AXYLE + REINFORCEMENT	Embedded only
	1.70m	AXYLE	AXS, AXYLE	AXS, AXYLE	AXS, AXYLE	AXS, AXYLE	
	1.90m	AXYLE	AXS, AXYLE	AXS, AXYLE	AXS, AXYLE	AXS, AXYLE	
2.50m AXIS® - AXYLE® rigid panels	1.00m	AXS, AXYLE	AXOR, AXS, AXYLE, AXYLE + REINFORCEMENT	AXOR, AXS, AXYLE, AXYLE + REINFORCEMENT	AXOR, AXS, AXYLE, AXYLE + REINFORCEMENT	AXOR, AXS, AXYLE, AXYLE + REINFORCEMENT	Embedded or on welded plates (excluding removable plates)
	1.20m	AXS, AXYLE	AXOR, AXS, AXYLE, AXYLE + REINFORCEMENT	AXOR, AXS, AXYLE, AXYLE + REINFORCEMENT	AXOR, AXS, AXYLE, AXYLE + REINFORCEMENT	AXOR, AXS, AXYLE, AXYLE + REINFORCEMENT	
	1.50m	AXYLE + REINFORCEMENT	AXS, AXYLE	AXS, AXYLE	AXS, AXYLE	AXS, AXYLE	Embedded only
	1.70m	AXYLE + REINFORCEMENT	AXYLE + REINFORCEMENT	AXYLE + REINFORCEMENT	AXYLE + REINFORCEMENT	AXYLE + REINFORCEMENT	
	1.90m	AXYLE + REINFORCEMENT	AXYLE + REINFORCEMENT	AXYLE + REINFORCEMENT	AXYLE + REINFORCEMENT	AXYLE + REINFORCEMENT	



Our range of barred fences, which are modular and have a unique stylish signature look, allow you to define the boundaries of a space or site by giving you the freedom to be creative while also ensuring that the fencing will blend seamlessly into its environment.

RAILINGS & DECORATIVE SHEET METAL

OUR INNOVATIVE AND MULTI-FACETED DECORATIVE SHEET METAL ALLOWS YOU TO CUSTOMISE ALL YOUR URBAN SITE PROJECTS BY BRINGING A VISUAL FLOW TO ALL THE FENCES.





Unleash your creativity and beautify your exteriors by mixing our different boundary solutions

RAILINGS ELIXIR®

CHOICES AND MODULAR DESIGN

- 2 designs: PUR and ZEN.
- Compatible with our **AXOR®** (see p. 98 to 101) - **AXIS®** (see p. 102 to 106) - **AXYLE®** (see p. 96 - 97) fence posts.
- Possible to mix panels, privacy panels and railings without changing the post.

EASY TO INSTALL/PATENTED INSTALLATION SYSTEM

- Installation in forward sequence, no accessories required. Rails attach to the posts via a pin system that locks into the slots or clips depending on the post.

CUSTOMISATION

- **6 standard colours:** ●●●●●○
- 200 **RAL** colours.
- **Matt and textured finishes.**

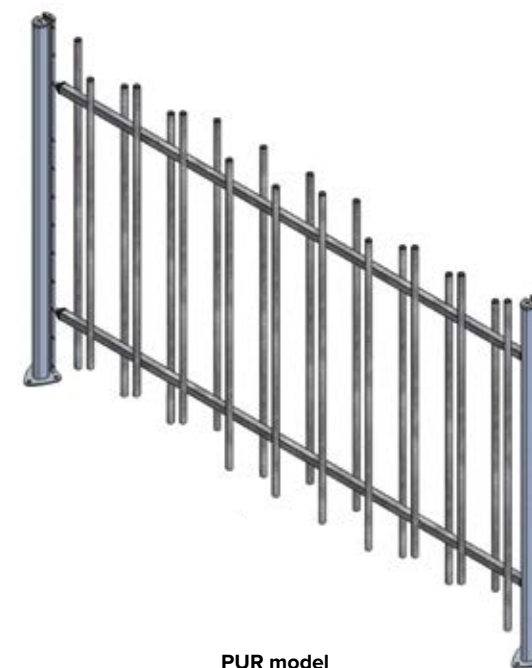
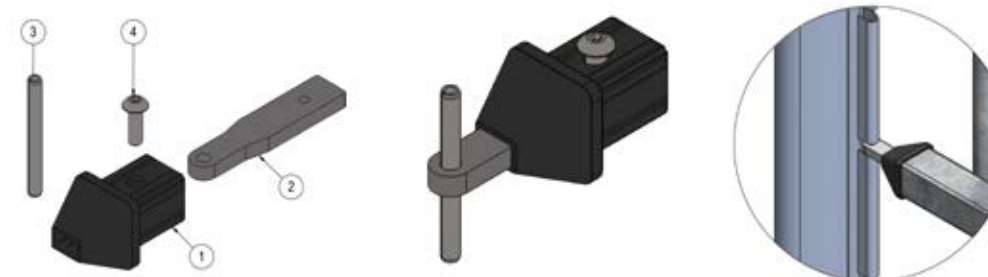
FEATURES

- 3 heights: 1.00, 1.20, 1.50m
- Railing width: 1980mm
- Rail:
 - 2 rails of 25 × 25mm
- Round bars:
 - 20 bars, dia. 20mm for the PUR model and 21 for the ZEN model
 - Round grooved caps, dia. 20mm
- Connection part:
 - Consists of a smooth connection accessory/post in 2 parts, a stainless steel pin and a TBHC M5 × 16 stainless steel screw

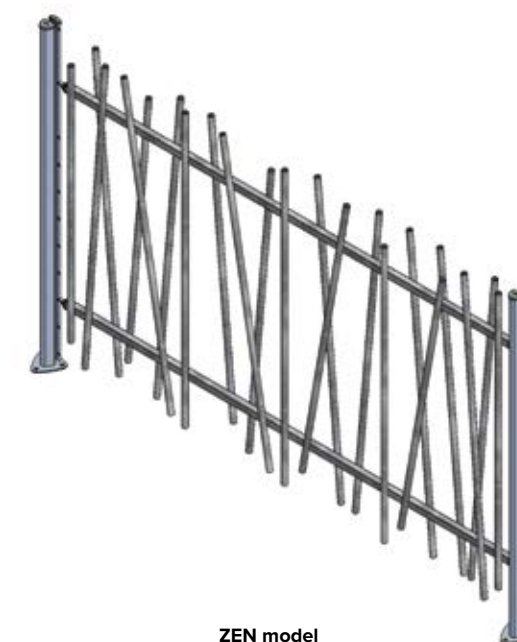
TECHNICAL FEATURES

MODEL	HEIGHT (m)	WIDTH (m)	NUMBER OF BARS	BAR DIAMETER	POST CENTRE DIST. (m)
PUR	1.00	1.98	20	20mm	AXOR: 2.015 AXIS® 2.041 AXYLE® 2.00
	1.20				
	1.50				
ZEN	1.00	1.98	21	20mm	AXOR: 2.015 AXIS® 2.041 AXYLE® 2.00
	1.20				
	1.50				

Rail/post connecting parts



PUR model



ZEN model

PRIVATE
HOMES



HOUSING
COMPLEXES





Modular,
simple and
stylish

RAILINGS

myMIX®

HOUSING COMPLEXES



PUBLIC AREAS



SERVICE SECTOR SITES



INDUSTRIAL & LOGISTICS SITES



CHOICES AND MODULAR DESIGN

- Square or round posts, base-plated or embedded.
- Square bars (which can be pointed in 2 directions) or round bars (choice of 3 diameters), overstanding if required.

EASY TO INSTALL

- Railings and posts compatible with each other.
- Angle and step management made possible due to the connection system.

STYLE AND FINISH

- Site enhancement.
- Interlocking assembly with invisible security connections.

- Modern design compatible with all architectural styles.

FROM BOUNDARY DEFINITION TO SECURITY

- The different variants on offer enable all your requirements to be met with style.

FEATURES

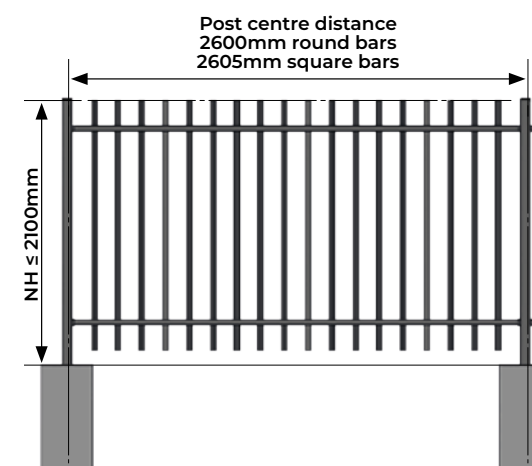
- Railings:
 - 50 × 30mm rail
 - Bar centre distance of 135mm
- Post:
 - □ Square 60 × 60mm
 - ○ Round 60mm dia.
- Finish:
 - Railings and posts in Sendzimir galvanised steel with polyester coating
 - Connection accessory: stainless steel “U” + self-tapping screw + round or square polyester end cap

CUSTOMISATION

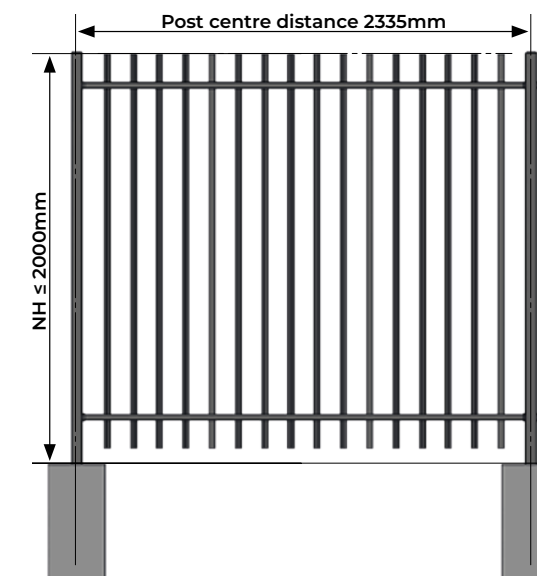
- **6 standard colours:** ●●●●●○
- 200 RAL colours.
- **Matt and textured finishes.**

TECHNICAL FEATURES

Railings of nominal height ≤ 2m



Railings of nominal height > 2m



RAILINGS						
NOMINAL FENCE HEIGHT (m)	STRUCTURE			DIMENSIONS (mm)		
	Nominal railing height	50 × 30mm rails (1 bottom rail + 1 top rail)	Number of bars	Width (cross rails)	Height of non-overstanding bars	Height of top and bottom overstanding bars
1.00	✓	✓	18	2540	930	920
1.20	✓	✓			1130	1120
1.50	✓	✓			1430	1420
1.70	✓	✓			1630	1620
1.80	✓	✓			1730	1720
2.00	✓	✓			1930	1920
2.30	✓	✓	16	2270	2230	2220
2.50	✓	✓			2430	2420

Other heights available on request.

Spacing between bars varies by model:

- 114.5mm for 20mm dia. bars,
- 109.5mm for 25mm dia. bars,
- 104.5mm for 30mm dia. bars,
- 110mm for straight square bars,
- 100mm for square bars at a 45° angle.

POSTS						
NOMINAL FENCE HEIGHT (m)	Choice				DIMENSIONS (mm)	
	SECTION		TYPE OF INSTALLATION		Embedded	On welded plate
	Round post	Square post	Screw-on	Embedded	Inter	Inter
1.00	✓	✓	✓	✓	1500	1000
1.20	✓	✓	✓	✓	1700	1200
1.50	✓	✓	✓	✓	2000	1500
1.70	✓	✓	✓	✓	2200	1700
1.80	✓	✓	✓	✓	2300	1800
2.00	✓	✓	✓	✓	2500	2000
2.30	(1)	✓	✓	✓	3000	2300
2.50		✓	✓	✓	3200	2500

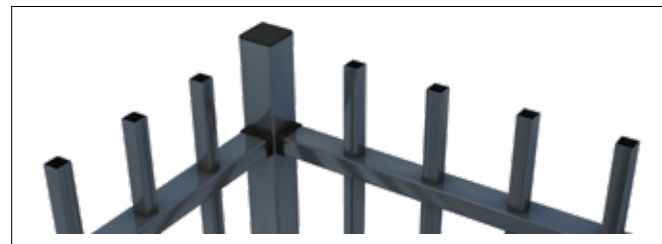
(1) From heights of 2.20m, use a 60 × 60mm square post to ensure mechanical strength.



PRODUCT OPTIONS

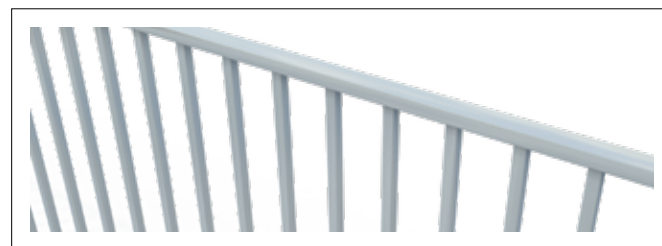
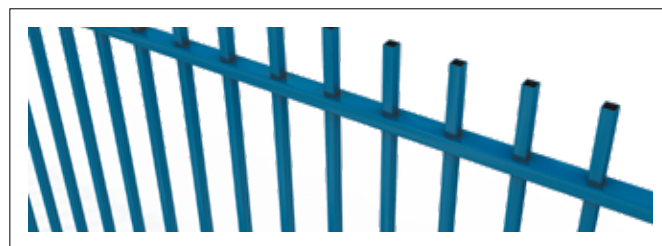
Round or square posts

Compatible with all bars and posts. Drilled or undrilled posts (for steps and angles) available.



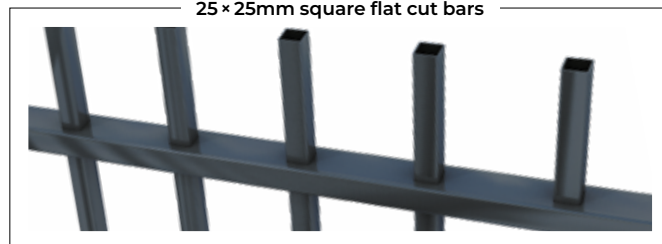
Railings with overstanding or non-overstanding bars

Compatible with all bars and posts.

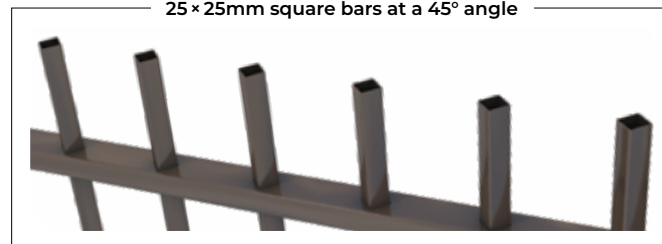


Round or square bars

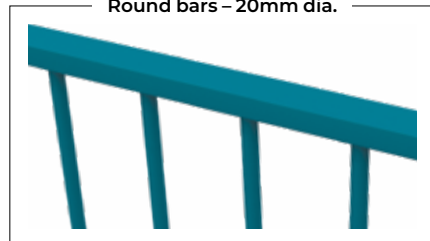
25 x 25mm square flat cut bars



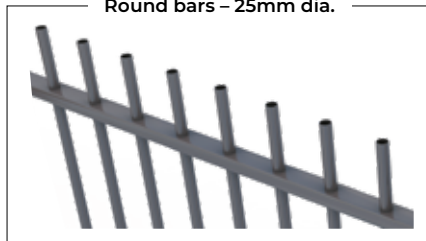
25 x 25mm square bars at a 45° angle



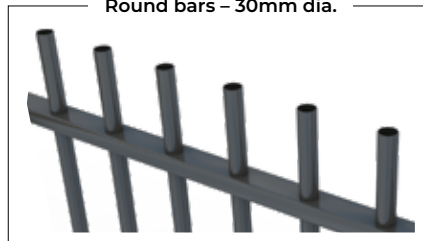
Round bars – 20mm dia.



Round bars – 25mm dia.

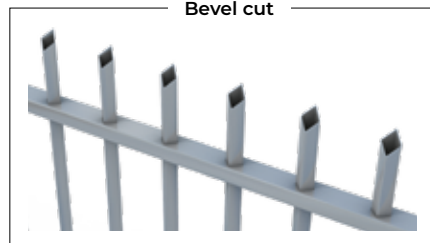


Round bars – 30mm dia.

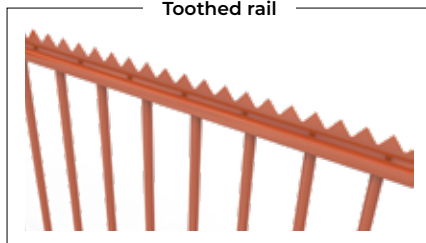


SECURITY SYSTEMS OR FINISHING OPTION

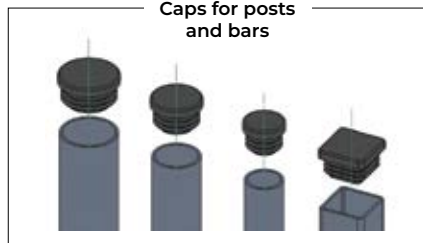
Bevel cut



Toothed rail

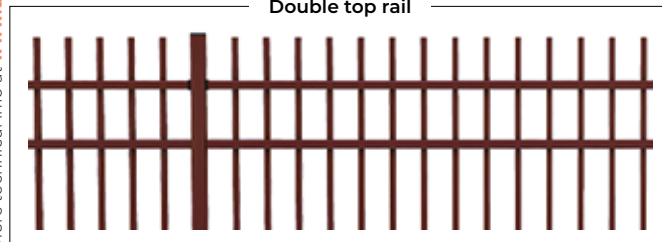


Caps for posts and bars

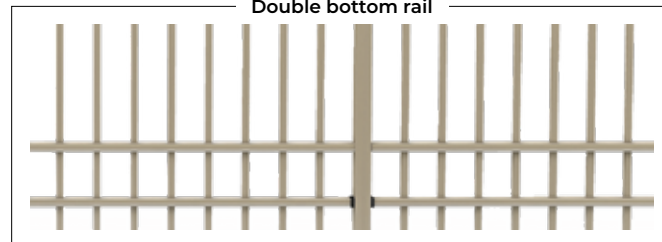


ADDITIONAL RAILS

Double top rail



Double bottom rail

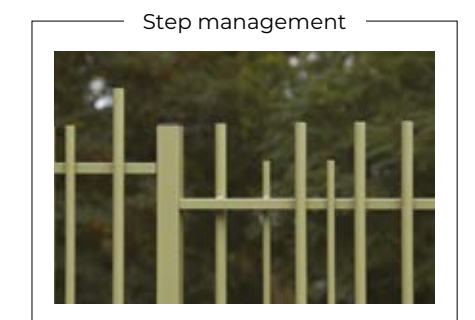
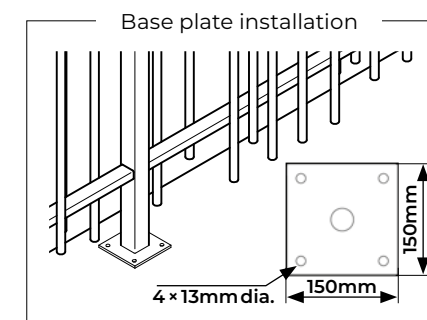
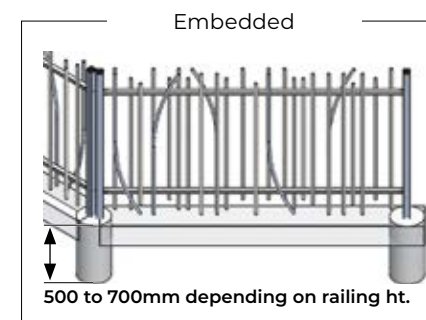


More technical info at www.diriclox.fr



INSTALLATION CONFIGURATIONS

Installation in forward sequence

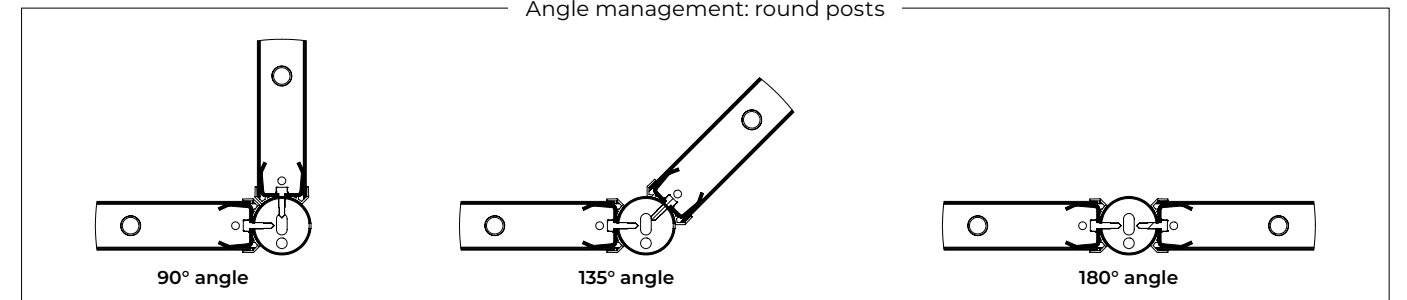


INSTALLATION PROCEDURE

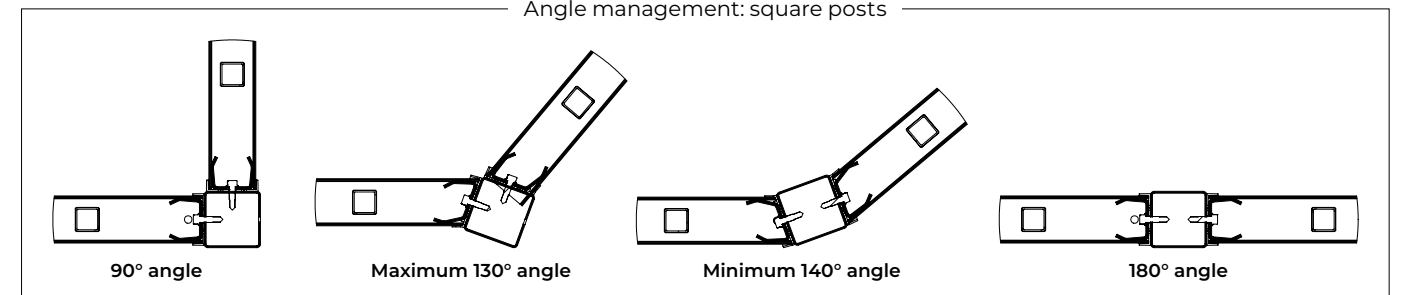
Assembly is achieved by slotting railings into the posts



Angle management: round posts



Angle management: square posts



RELATED PRODUCTS

ALLIX® cantilever, sliding and swing gates with myMIX® infill.
myMIX® guardrail.
LEXIE® decorative sheet metal.





GARANTIE
DIRICKX
ANTI-CORROSION
10 ANS
POLYESTER

GARANTIE
DIRICKX
ANTI-CORROSION
PROTECT +

An original,
modern means
of protection
and enhancement

RAILINGS

EXALT®

DESIGN

- Modern and original.
- Inspired by nature to perfectly complement the surrounding environment.
- Irregular and randomly placed bars recalling a certain natural imperfection unlike a traditional fence.

CHOICE AND CUSTOMISATION

- 4 railing models.
- 2 post models:
- **ALLIX®** swing gates and matching guardrail for total uniformity on site.

PROTECTION

- Protection that is subtle and stylish.
- Screws are inaccessible after installation.

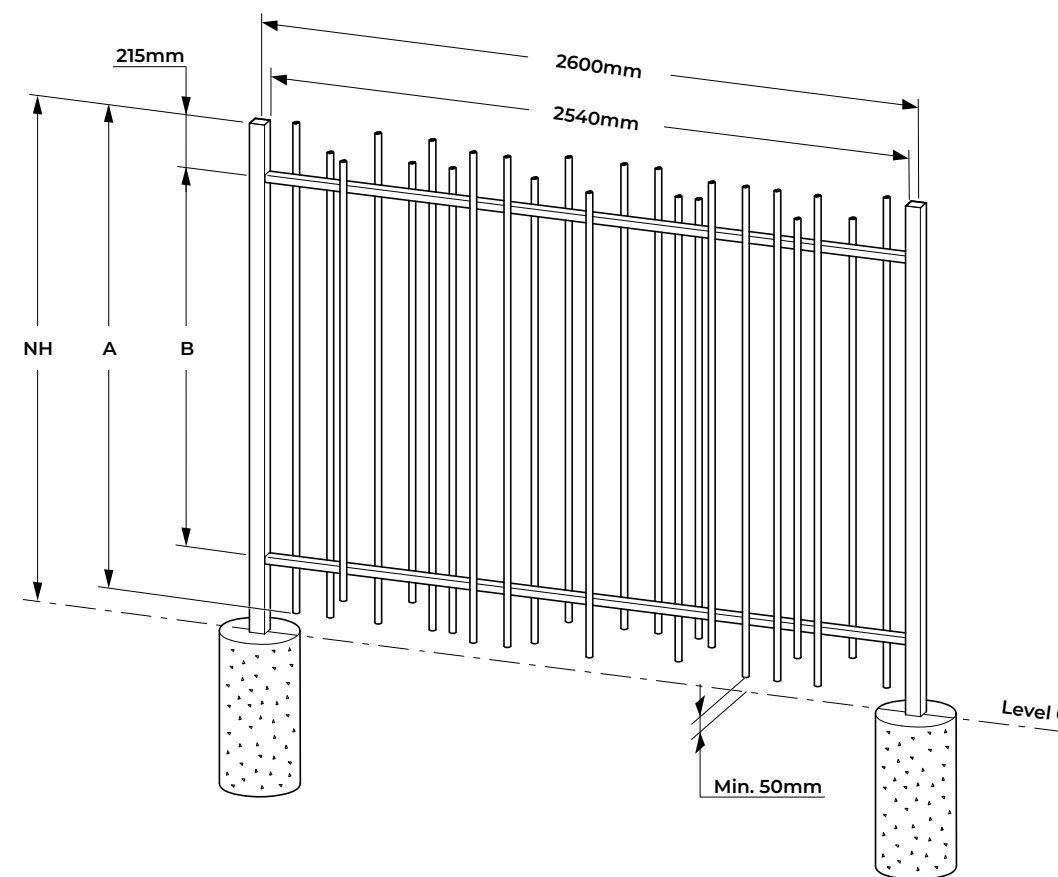
CUSTOMISATION

- **6 standard colours:** ●●●●●○
- 200 **RAL** colours.
- **Matt and textured finishes.**

FEATURES

- Railings:
 - 50 × 30mm rail and round bars with diameters varying by model (20, 25 or 30mm dia.)
 - Bar spacing 110mm max
 - Flat cut at top and bottom
- Post:
 - □ 60 × 60mm square post
 - ○ 60mm dia. round post
 - Drilled or undrilled
 - Embedded or base-plated
- Connection accessories:
 - Steel “U” + self-tapping screw + round or square end caps
- Finish:
 - Railings and posts in Sendzimir galvanised steel with polyester coating
 - Connection accessory: stainless steel “U” + self-tapping screw + round or square polyester end cap

TECHNICAL FEATURES



NOMINAL HEIGHT (m)	RAILING WIDTH (m)	POST CENTRE DIST. (m)	RAIL (mm)	RAILINGS*				POST				
				BARS				A BAR LENGTH (mm)	B RAIL CENTRE DIST. (mm)	POST SECTION (mm)	EMBEDDED LENGTH (m)	ON WELDED PLATE LENGTH (m)
				EXALT® Origin	EXALT® Natura	EXALT® Urba	EXALT® Delta					
1.00	2.54	2.60	50 × 30	dia. 25	dia. 20 dia. 25 dia. 30	60 × 60 or dia. 60	950	520	1.50	1.00		
1.20							1150	720				
1.50							1450	1020				
1.80							1750	1320				
2.00							1950	1520	2.50	2.00		
									2.70			

*Top and bottom overstanding bars



MODELS

EXALT® Origin

- Round bars of 25mm dia. and different lengths placed at irregular intervals (horizontally and vertically) either side of the cross rail.
- Bar spacing:
55 or 110mm.



EXALT® Natura

EXALT® Origin

- +
Semi-curved bars at top and bottom.



EXALT® Urba

EXALT® Origin

- +
Partial rails at top.



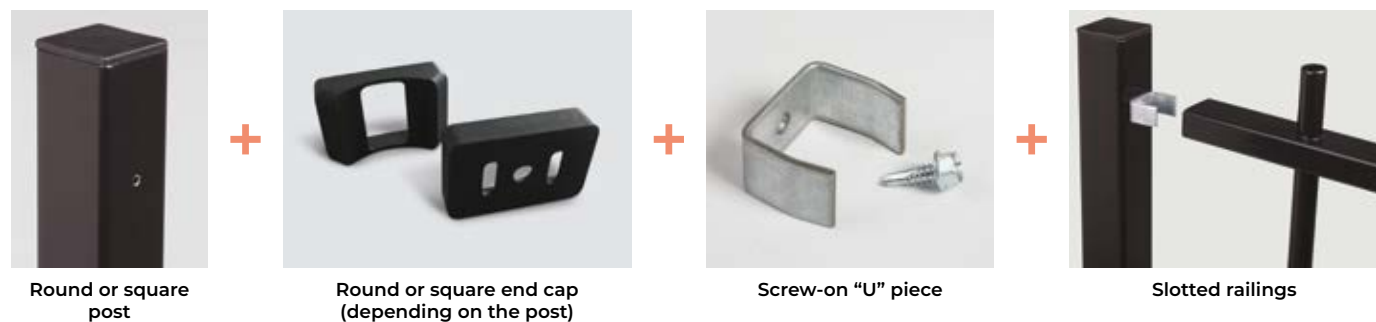
EXALT® Delta

EXALT® Origin

- +
Bars with different diameters (20 – 25 – 30mm).



INSTALLATION PROCEDURE

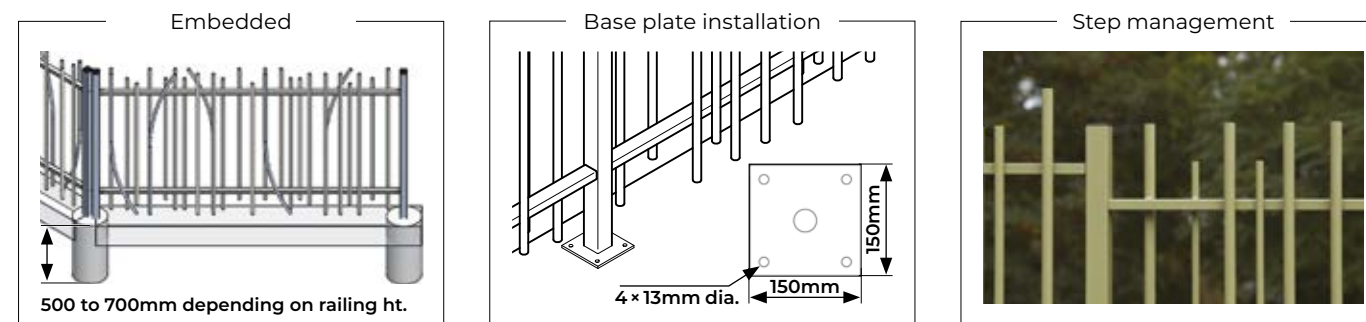


Assembly is achieved by slotting the railings into the posts, installing in forward sequence

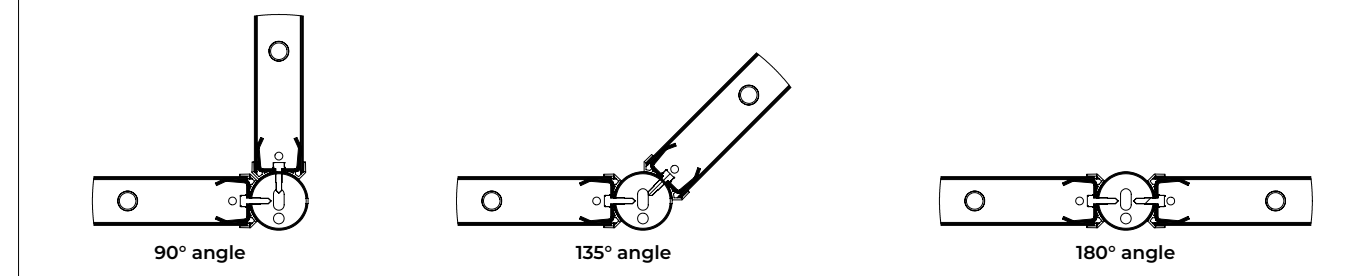


INSTALLATION CONFIGURATIONS

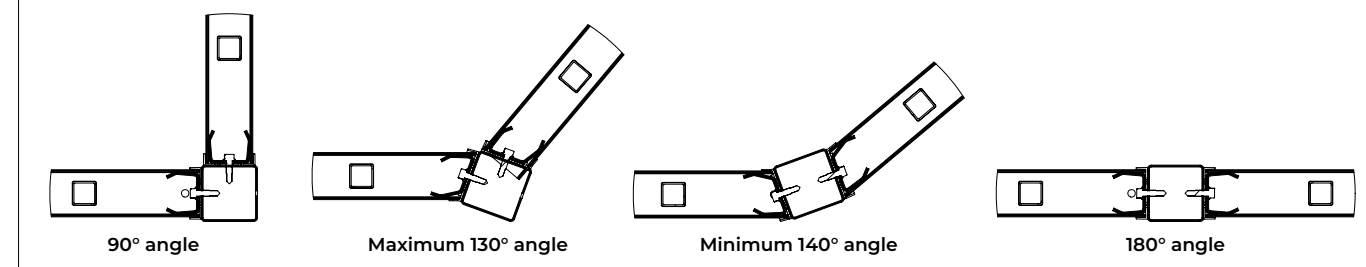
Installation in forward sequence



Angle management: round posts



Angle management: square posts



RELATED PRODUCTS

- ALLIX® cantilever, sliding and swing gates with EXALT® infill.
- EXALT® guardrail and LEXIE® decorative sheet metal.



OPTIONS

- Caps for round bars (20, 25 and 30mm dia.).
- Additional connection accessories.





Matching all our
barred railings
to ensure
everything
blends together
perfectly
on the site

RAILINGS

myMIX® & EXALT® GUARDRAIL

CHOICES AND MODULAR DESIGN

- Guardrails matching all our models of **EXALT®** and **myMIX®** railings.
- Base-plated or surface-mounted post to suit all configurations.

EASY TO INSTALL

- Wall bracket.
- Angle management made possible due to the connection system and specially designed posts.

STYLE AND FINISH

- Perfect matching with **EXALT®** and **myMIX®** barred railings and **ALLIX®** gates.
- Modern design compatible with all architectural styles.
- Slot installation with invisible connections.

SECURITY

- Compliance with guardrail standards: NF P01-012 and NF P01-013 (CSTB).
- Screws are inaccessible after installation.
- Reinforced post.

CUSTOMISATION

- **6 standard colours:** ●●●●●○
- 200 **RAL** colours.
- **Matt and textured finishes.**

FEATURES

- Railings:
 - 3 rails of 50 × 30mm
 - Bar centre distance of 135mm
 - Space between bars is a maximum of 110mm
- Post:
 - 60 × 60mm square post
 - Flat base-plated or surface-mounted
- Finish:
 - Railings and posts in Sendzimir galvanised steel with polyester coating
 - Connection accessories provided: stainless steel “U” + self-tapping screw + black polyester end cap

CONCEPT

4 models of EXALT® guardrails - 8 models of myMIX® guardrails

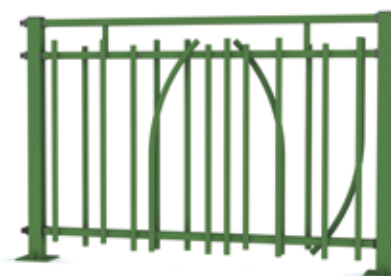
EXALT® Origin



EXALT® Urba



EXALT® Natura



EXALT® Delta



myMIX® Overstanding



myMIX® Non-overstanding



- Round bars (dia. 25 - 30) or square bars (straight or at a 45° angle)

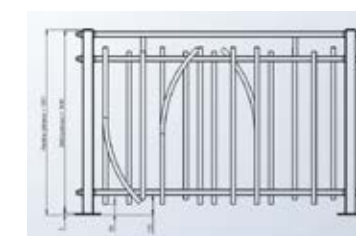
TECHNICAL FEATURES

NOMINAL HEIGHT (mm)	SURFACE-MOUNTED POST LENGTH	POST CENTRE DIST. (mm)	POST SECTION	BAR SECTIONS	RECTANGULAR RAIL (mm)	BASE PLATES (mm)	SURFACE-MOUNTED POST WEIGHT	RAIL WEIGHT
1040	1215mm	1500	60 × 60 × 3mm	25 × 25mm straight	50 × 30 × 15	Stainless steel 150 × 150 × 6	between 2 and 2.6kg	between 17 and 23kg depending on the model
	BASE-PLATED POST LENGTH			25 × 25mm, 45° angle			BASE-PLATED POST WEIGHT	
	1040mm			dia. 25, dia.30			between 1.9 and 2.1kg	

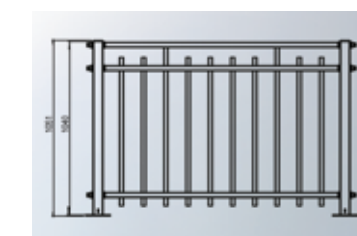
EXALT® Natura



myMIX® Overstanding



myMIX® Non-overstanding



Ground clearance:

- For overstanding bars = 60mm
- For non-overstanding bars = 110mm

HOUSING COMPLEXES



PUBLIC AREAS



SERVICE SECTOR SITES



INDUSTRIAL & LOGISTICS SITES

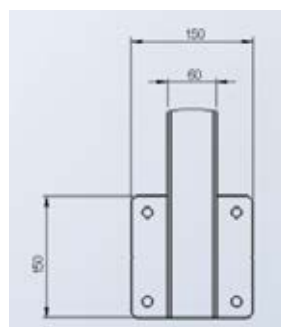
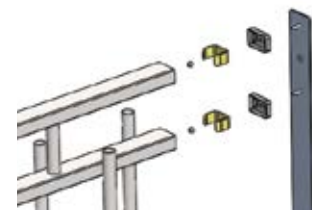
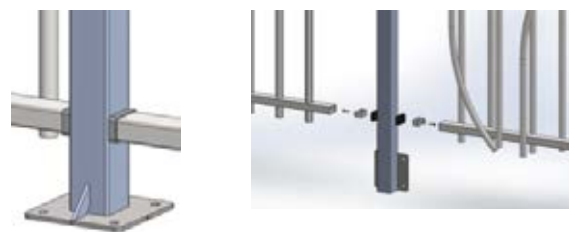




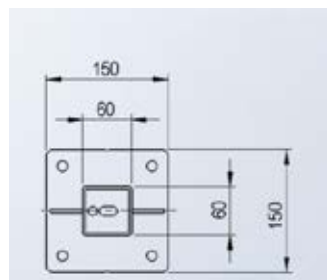
FITTING CONFIGURATIONS & INSTALLATION

Interlocking assembly of guardrails and posts:
Attachment system composed of a screw, a U and a sleeve.

- Base-plated
- Surface mount
- Wall bracket



Surface mounted

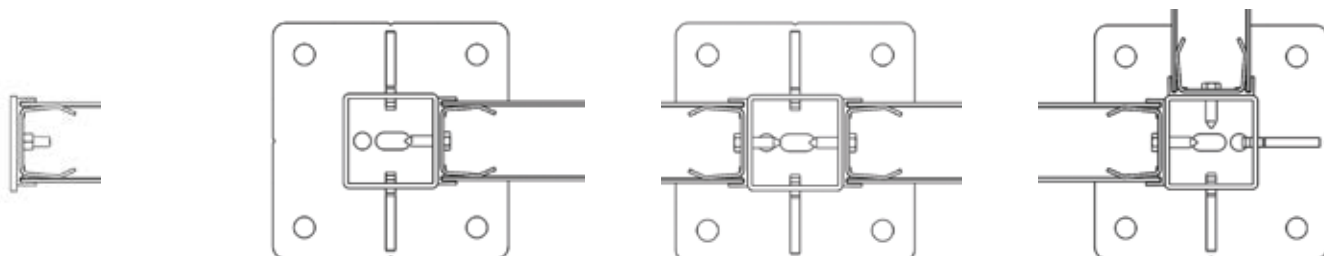


base-plated

POST CONFIGURATION

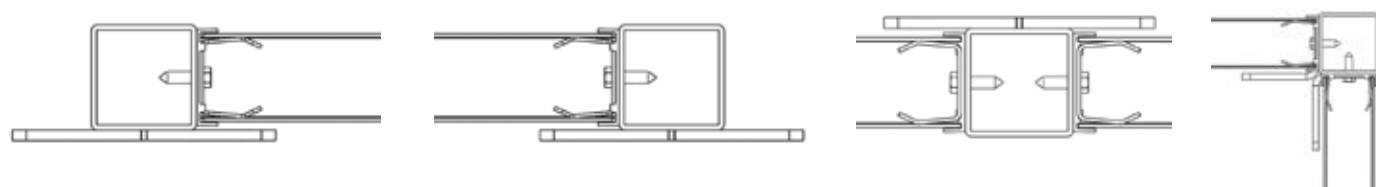
With a base-plated post

- Wall bracket
- Starting or ending base plate (right or left)
- Middle base plate
- Angle base plate



With a surface-mounted post

- Surface-mounted starting or ending post (right or left)
- Surface-mounted middle post
- Surface-mounted angle post



ADDITIONAL PRODUCTS

myMIX® and EXALT® barred railings.
ALLIX® cantilever, sliding and swing gates.





NEW FROM
2020
DIRICKX

DIRICKX
ANTI-CORROSION
GUARANTEE
10 YEARS
POLYESTER

When combined
with railings,
these can be used
for all kinds of
customisation ideas

DECORATIVE SHEET METAL

LEXIE®

HARMONY AND STYLE

- Multiple models to adapt to any environment.
- The designs are created using holes of varying diameters and thus have a dynamic look.
- The ripples give the design a sense of perspective.
- This combined use of holes and grooves is unique on the market.

MODULARITY AND COMPATIBILITY

- 3 designs for 6 styles: the sheets can be installed in either direction.
- Installed with square or round posts from the railings range.
- The sheets go perfectly with our **myMIX®** and **EXALT®** railings, offering a wide range of possible combinations.

CUSTOMISATION

- The sheets can be placed periodically along a line of railing or side by side to section off a space, provide privacy, or protect an area (e.g. a backspace).
- **6 standard colours:** ●●●●●○
- 200 **RAL** colours.
- **Matt and textured finishes.**

FEATURES

- 3 models
- 4 heights
- Post:
 - □ 60 x 60mm square post
 - ○ Round 60mm dia.
 - Drilled or undrilled
 - Embedded or base-plated
- Connection accessories:
 - Secure self-tapping screw
 - + 4 interfaces in black PVC

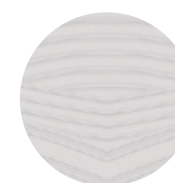
CONCEPT

3 sheet metal motifs and 6 styles

DUNE



SWELL



- Wavy grooves
- Perforated area, dia. 6mm

BRAID



PLAIT



Punching
6mm
8mm
10mm
12mm



Punching
12mm
10mm
8mm
6mm



Braid and Plait are distinguished by the density effect produced by punching (from top to bottom or bottom to top)

LYS



PEARL



- Curved grooves
- Perforated area, dia. 5mm





TECHNICAL FEATURES

NOMINAL HEIGHT (m)	DECORATIVE SHEET METAL				POSTS	
	PANEL WIDTH (m)	POST CENTRE DIST. (m)	WEIGHT (kg)	SPACE BELOW SHEET (mm)	EMBEDDED POST (m)	BASE-PLATED POST (m)
1.20	1.150	1.234	18	70	1.70	1.20
1.50			23		2.00	1.50
1.80			27		2.30	1.80
2.00			30		2.50	2.00

INSTALLATION PROCEDURE



Connection accessories for round or square post

- Embedded
- Base-plated
- Screw assembly of decorative sheet metal and posts, with black PVC interface



Invisible connection and inaccessible screws after installation

- Steps:
Use an unperforated post
Opt for a post of greater length
The assembly system allows for adjustments to the millimetre
- Angles:
Angle management made possible due to the connection systems (see p. 119)
 - On round post: angle of 90° to 180°
 - On square post: angle of 50° to 180°

INSTALLATION CONFIGURATION

Sheet metal can be used to break up rows of railings, or can also conceal certain shared areas (car park, bike area, bin area) or be used as a decorative screen, to create special spaces (rest areas, picnic spots). Our wind belt recommendations can be found at www.dirickx.fr

RELATED PRODUCTS

myMIX® and EXALT® barred railings.
myMIX® and EXALT® guardrails.
ALLIX® cantilever, sliding and swing gates.



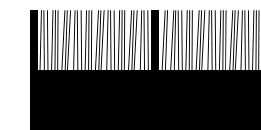


Thanks to the extraordinary modularity of LOOKX® customisable fences, there are no limits to creating something that feels uniquely you.

Play with heights, materials, colours and shapes to “dress up” your walls and endlessly customise your boundary projects.

MODULAR FENCES & WALLS

FOR ENHANCING A SPACE, ENSURING PRIVACY, OR CREATING AN AREA WITHIN A GARDEN OR ON A VERANDA





You've got character... and so does your fence

CUSTOMISABLE FENCES

LOOKX®

DIRICKX
ANTI-CORROSION
GUARANTEE
10 YEARS
POLYESTER

PRIVATE HOMES



HOUSING COMPLEXES



CUSTOMISATION

- Styles can be combined as preferred:
 - openwork design in various styles (metal trellis),
 - semi-openwork design (mesh screen metal sheets),
 - WPC slats,
 - steel wire gabions.
- Varying levels of privacy: openwork, semi-openwork or private.
- Choice of 6 colours: possible to create a unique style by mixing designs and colours.

VERSATILE

- As a boundary surrounding your property to protect your privacy.
- Enhancing and adding a dash of style to your home.
- As a decorative screen to create spaces within your garden or on a veranda.

EASY INSTALLATION

- The unique post allows you to manage all types of configurations: curved, angled, uneven, etc.
- Using the base plate, the post can be installed on a concrete base or existing floor.
- Panels easily slide and lock into place.
- The low height of the gabions (40m) makes them easy to fill.

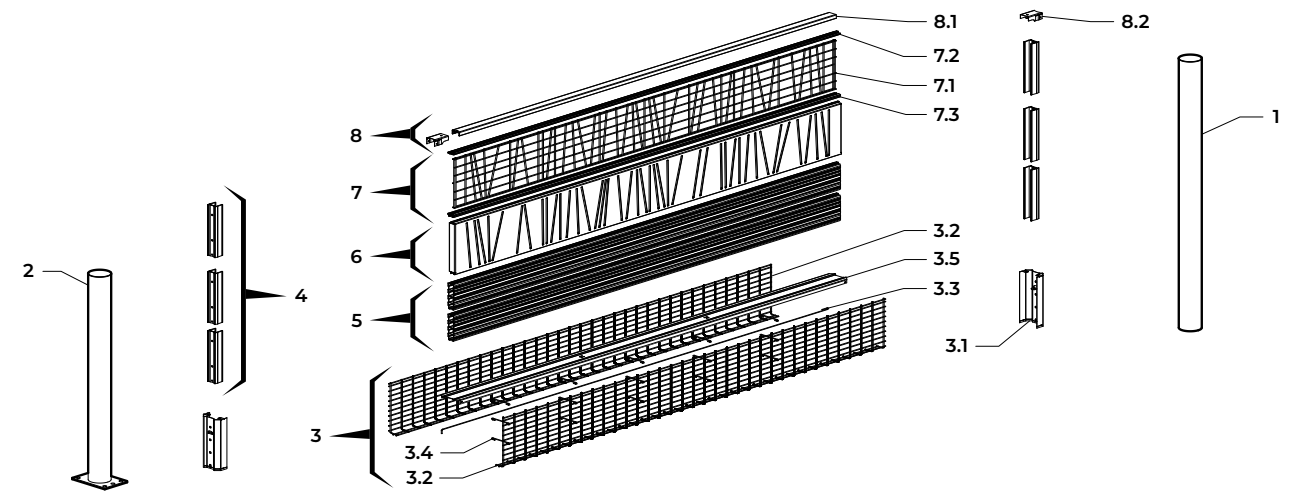
FEATURES

- Width: 2m
- Height: 0.80 to 1.80m
- Choice of styles
- Choice of 6 colours
- Embedded or base-plated

QUALITY

- All components are made in France.
- Metal parts are polyester-coated.

TECHNICAL FEATURES



		DIMENSIONS (mm) (HEIGHT X WIDTH X THICKNESS)	MATERIAL
1 – Embedded post	Can be used to install an 800mm fence 1800mm above ground level	dia. 80	Plastic-coated galvanised steel
2 – Welded base-plated post			
3 – Gabion H: 400 x L: 1930 x T: 90 Internal volume: Approx. 60 litres	Must be installed resting on the ground or on another gabion. 55 x 40mm mesh. To be filled with mineral or plant-based material, for example (recommended size: minimum 40 / maximum 100)		
	3.1 – Interface L: 80	H: 400 x L: 80 x T: 50	Plastic-coated galvanised steel
	3.2 – Gabion trellis	H: 400 x L: 1880 x T: 40	
	3.3 – Long hook 1990	L: 1900	Stainless steel
	3.4 – Short hooks 80	L: 80	
3.5 – Gabion cap	H: 90 x L: 1930 x T: 25	Plastic-coated galvanised steel	
4 – Interface L: 30		H: 400 x L: 37 x T: 39	Plastic-coated aluminium
5 – WPC slat (see insert with recommendations below)		H: 200 x L: 1900 x T: 30	Wood + PVC
6 – Semi-openwork design		H: 400 x L: 1900 x T: 30	Plastic-coated galvanised steel
7 – Openwork design	7.1 – Openwork design	H: 400 x L: 1800	
	7.2 – Upper interface	H: 20 x L: 1900 x T: 29	
	7.3 – Lower interface	H: 22 x L: 1900 x T: 30	
8 – Top cap rail	8.1 – Top cap rail	L: 1850	Plastic-coated galvanised steel
	8.2 – Smooth post interface	H: 67 x L: 47 x T: 40	

RECOMMENDATIONS

- Add a steel back plate in the upper recess of the slat:
- For all grounded slats and,
 - For all slats stacked on top of each other with no décor in between (up to 1m high).

COLOURS

The designs are available in 6 colours



Grey 7016



Grey 7035



Black 9005



Red 3004



Green 6005



Brown 8019

MOTIFS

Slats made from reversible composite wood

- Choice of 4 colours.
- Interfaces available in 6 colours.

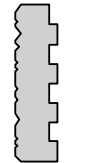
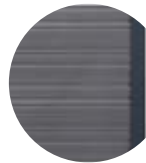
Choice 1



Light grey

Dark grey

Slat profile



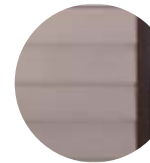
Choice 2



Light brown

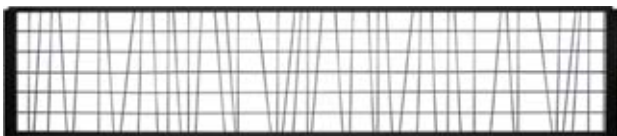
Dark brown

Slat profile



Plastic-coated steel wire semi-openwork design

- 4 motifs available.



Plastic-coated steel wire gabion

- Pebbles, bark, logs (not supplied).



Inspirations

Create your own style



INSTALLATION PROCEDURE

For openwork designs, semi-openwork designs and WPC slats

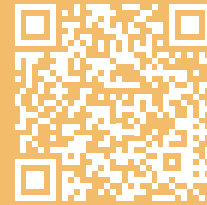
Install the first post.

Attach the interfaces to the post.

Slide on the motif. Repeat this step until all the motifs have been installed.

Fasten the cap rail.

Scan this QR code to download the installation instructions for LOOKX® and view the installation video



For gabions

Install the first post.

Attach the interfaces to the post.

Slide on the first partition and then the second.

Fill the gabion after installing the hooks.

Attach the top cover.

INSTALLATION CONFIGURATIONS

<p>Embedded</p> <p>Most common choice for standard terrain.</p>	<p>Base-plated post</p> <p>Suitable for installation on a wall or paved ground. Avoids boring into concrete.</p>	<p>Angled</p> <p>Angle management.</p>	<p>Stepped</p> <p>Posts to be embedded.</p> <p>Base-plated posts.</p>
--	---	---	--

LOOKX® INSTALLATION KIT

This is strongly recommended to ensure fencing is properly installed and consists of 2 installation tools:

- Spacing jig
 - For ensuring the correct post centre distances,
 - Essential for limiting bending of WPC slats.
- Cutting components
 - Openwork designs, semi-openwork designs and WPC slats can be cut,
 - Cutting gabions not recommended.

- Drill jig
Makes it easier to drill posts.
- Maintenance
Advice on maintaining WPC slats can be found at www.dirickx-cloture-lookx.fr



TRY THE LOOKX CONFIGURATOR®

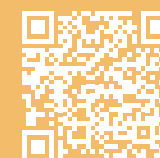
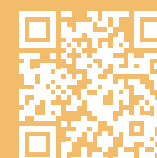
Use our configurator to create your very own tailor-made fencing.

Free app compatible with computers, tablets and smartphones.



A SIMPLE, INTUITIVE TOOL TO:

- Help you design the ideal fencing for your project.
- See your planned fencing in its intended surroundings using augmented reality or by incorporating your own photos.
- Download your shopping list and order quickly and accurately.

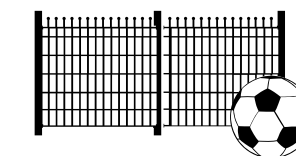


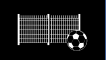


Our range of sports and recreational fences includes products for sports facilities (e.g. stadiums, playgrounds, sports sites) relating to boundaries, security, and comfort.

SPORTS FENCES

SOLUTIONS FOR PROTECTING SPORTS FACILITIES





Modular handrail
for new and
renovated
stadiums

SPORTS FENCES

AXISTADE® HANDRAIL

SPORTS FACILITIES



MODULARITY

- Adaptable to any type of terrain: curved, straight angles and non-straight angles.
- Rigid panel infill can be added without dismantling the existing handrail.
- Choice of colours:
 - Handrail: Green 6005 ● and White 9010 ○,
 - **AXIS® D** or **DR** infill.

EASY INSTALLATION

- Handrail with standard connection accessories.
- For rigid panel infills:
 - Single-piece collar clamp with a clip to hold it closed and a single screw head format,
 - The highly versatile collar clamp can be installed on handrails of 2.48 to 2.54 centre distance,
 - Installation hook for holding and positioning panels while they are being attached.

FEATURES

- Handrail:
 - Round 60mm dia. posts and rails in plastic-coated Sendzimir galvanised steel,
 - Plastic-coated aluminium connection accessories.
- Rigid panel infill:
 - **AXIS® D** or **DR** panels (see p. 66- 69),
 - Black PVC collar clamps with stainless steel fastenings.

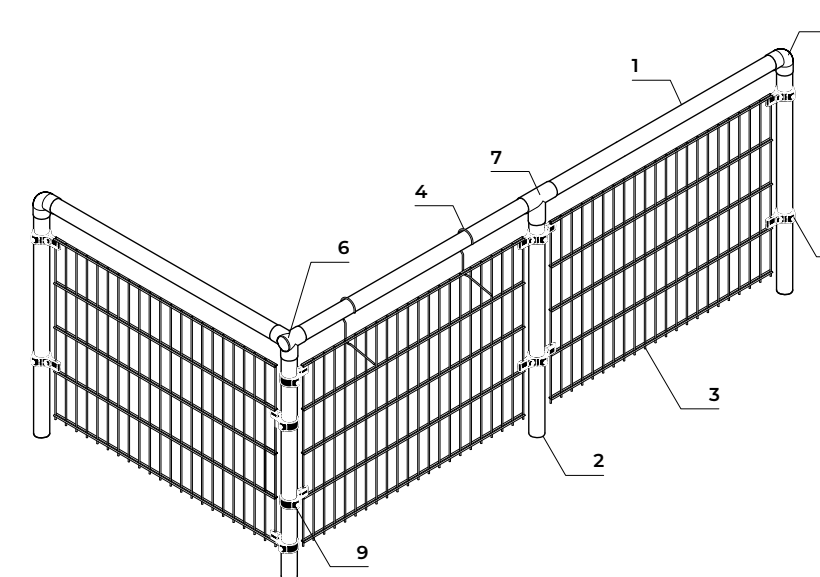
SECURITY

- **Compliant** with French Football Federation regulations on sports grounds and facilities concerning **category 3 and 4 stadiums**.
- Sturdiness of collar clamps: withstand dynamic impacts of 1000J (equivalent to an 80kg object thrown at 18km/h).
- **Safety of players and spectators:** screw heads of collar clamps do not protrude.

TECHNICAL FEATURES

HANDRAIL	Overall height	1500mm
	Above ground height	1100mm
	Space between posts	2500mm
INFILL	Wire diameters	AXIS® D: horizontal 2 × 6mm and vertical 5mm AXIS® DR: horizontal 2 × 8mm, vertical 6mm
	Height	825mm
	Length	2370mm

COMPONENTS	
1	60mm dia. rail
2	60mm dia. post
3	Infill with AXIS® D or DR welded panels
4	Installation hook
5	Male elbow joint
6	Single-piece or swivel corner
7	2 -piece tee screw (lengths) or single-piece (rounded sections)
8	AXISTADE® intermediate clamp
9	AXISTADE® corner clamp



ADDITIONAL PRODUCTS

Gates used in combination with the handrail:

- Single- and double-leaf gate entrances
1, 2, 3, and 4m
Height: 1.10m
Colour: Green 6005 ● and White 9010 ○



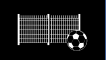
Walk-through gate

- Slide rail
Openings: 2.00 and 3.00m
Height: 1.10m
Colour: White 9010 ○



Slide rail





Suitable for multi-sport stadiums, category 1 & 2

SPORTS FENCES

SPORTS GROUND FENCE

SPORTS FACILITIES



SECURITY

- Meets the requirements of the French Football Federation in terms of robustness: 170 daN per 1m at a height of between 1 and 1.10m from the ground.
- Break-away screws making the fencing tamper-proof once installed.
- Single unit panel makes the fencing sturdy, difficult to climb, and limits the risk of injury.

EASY INSTALLATION

- Single post enabling end, intermediate and corner sections to be managed with pre-assembled fastenings.
- Single unit panel to be installed between 2 posts.
- System enabling the panel to be held on the post before tightening.

CHOICE

- **6 standard colours:** ●●●●●○
- Other RAL colours available on request.

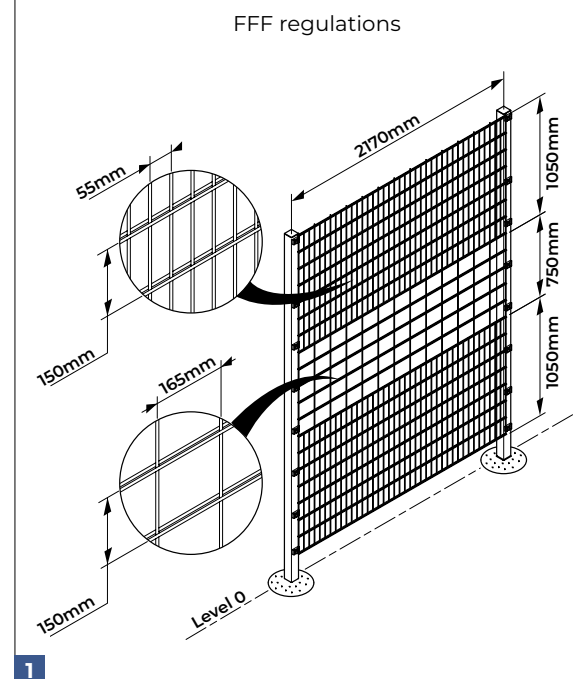
FEATURES

- Height above ground level: 2.25 or 2.85m
- Wire diameter: 2 x 6mm
- Post: 60 x 60 x 3mm
- Post length: 2.78 or 3.50m
- Galvanised



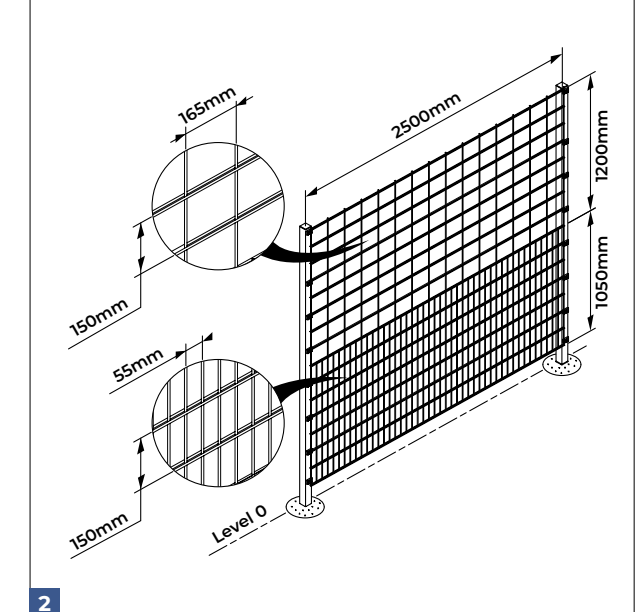
TECHNICAL FEATURES

Fencing for category 1 and 2 grounds



Fencing for multisport stadiums

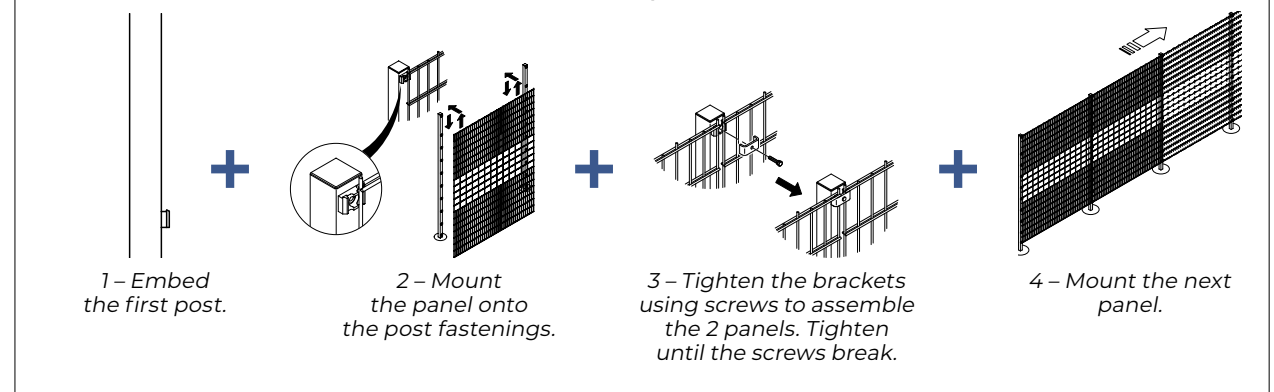
Regulations of the Mediterranean, Languedoc-Roussillon and Corsican leagues



Reversible panel – spikes pointing upwards and downwards

OPTION	OVERALL HEIGHT (m)	WIRE DIA. (mm)	DOUBLE HORIZONTAL WIRE PANEL			SQUARE POST	
			BOTTOM SECTION MESH (mm)	MIDDLE SECTION MESH (mm)	UPPER SECTION MESH (mm)	LENGTH (m)	SECTION (mm)
1	2.85	6	55 x 150	165 x 150	55 x 150 + spikes	3.50	60 x 60
2	2.25	6		-	165 x 150 + spikes	2.78	

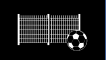
Installation procedure



ADDITIONAL PRODUCTS

- Gates with sports ground fencing infill
 - Single-leaf gate:
 - 4 openings: 1 to 2m,
 - 2 heights: 2.25 and 2.85m.
 - Double-leaf gate:
 - 4 openings: 2 to 6m,
 - 2 heights: 2.25 and 2.85m.





For fencing off tennis courts

SPORTS FENCES

PLASTEX®, FLUIDEX® & GALVEX® TENNIS

Compliant with standard XP 90-110 and recommended by the French Tennis Federation (FFT) and the French Federation of Sports & Leisure Equipment Manufacturers (FNCESEL).

IDEAL FOR USERS

- Fastened at the top and bottom of the fence.
- Flexible and sturdy fencing.

IDEAL FOR INSTALLERS

- Fastened to prevent injury.
- Supplied as 18-metre rolls (108 metres of mesh i.e. 6 rolls required for a tennis court).

CHOICE

- 2 finish options:
 - Plastic-coated, Green 6005 ●
 - Galvanised ●

FEATURES

- Mesh: 45mm
- Wire diameter: 2.4, 2.9 or 3.5mm
- Length: 18m
- Height: 3 to 4m

SPORTS FACILITIES

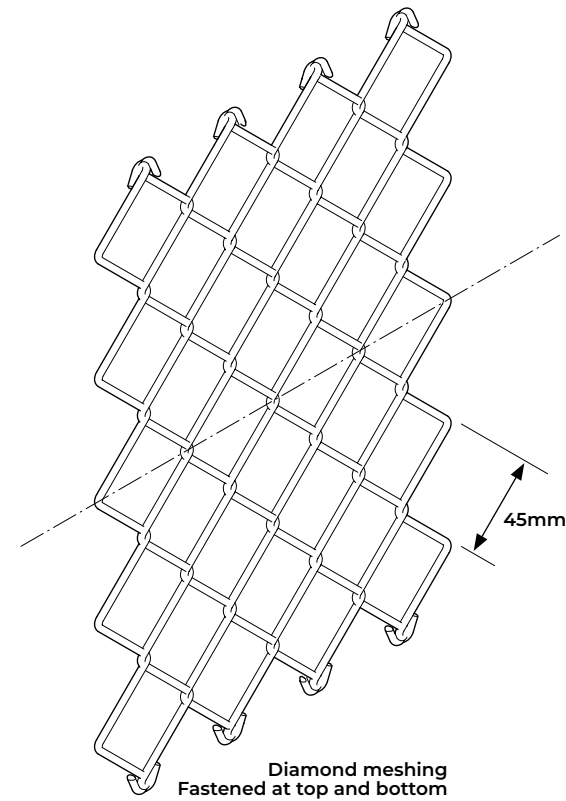


More technical info at www.dirickx.fr



TECHNICAL FEATURES

PLASTEX® Tennis Heavy 4535, FLUIDEX® Tennis Super 4529 and GALVEX® Tennis Heavy 4524 are compliant with experimental standard XP P90-110 and recommended by the French Tennis Federation (FFT) and the French Federation of Sports & Leisure Equipment Manufacturers (FNCESEL).



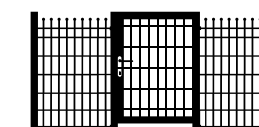
FINISH	MODEL	WIRE DIA. (mm)	FENCE HEIGHT (m)	PACKAGING
Plastic-coated	PLASTEX® Tennis Heavy 4535	3.5	3.00 3.50 4.00	18lm roll
Fluidised	FLUIDEX® Tennis Super 4529	2.9		
Galvanised	GALVEX® Tennis Heavy 4524	2.4		

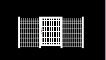


A wide range of gates to protect and enhance your front and side entrances.

RESIDENTIAL GATES

PROVIDING A PERFECT MATCH WITH YOUR FENCING.





The cost-effective solution for fencing off gardens and vegetable patches

RESIDENTIAL GATES

ECO GARDEN

PRIVATE HOMES



COST-EFFECTIVE

FUNCTIONAL

- Bi-directional opening.
- Lock closure.

EASY TO INSTALL

- Embedded or base-plated (with sleeves).

FINISH

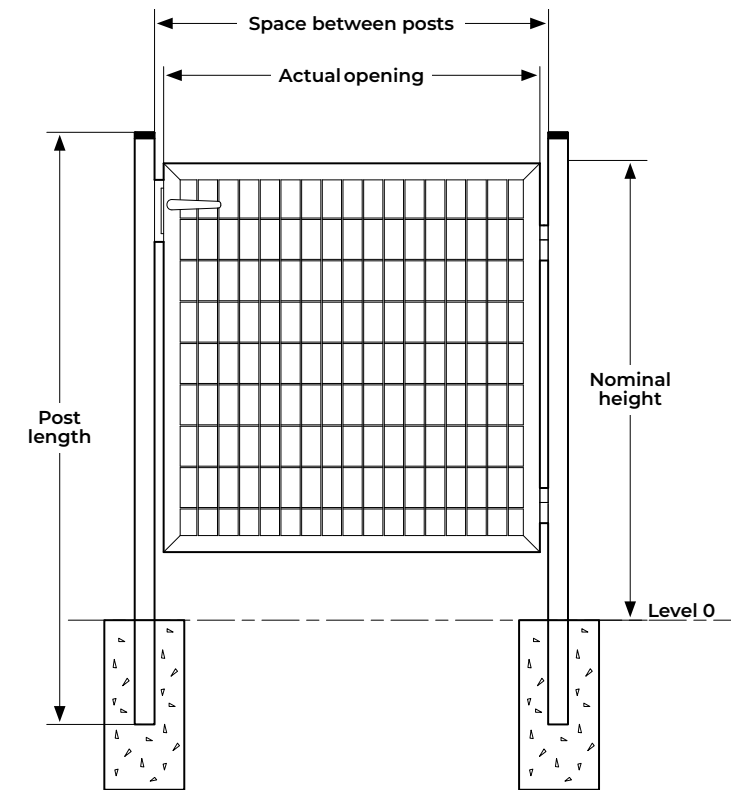
- Plastic-coated Sendzimir.

FEATURES

- Plastic-coated Sendzimir steel
- Round tubular post and leaf frame
- Mesh infill 100 x 50mm, 3.5mm wire diameter
- 4 heights: 1m, 1.25m, 1.50m and 1.75m
- Colour: Green 6005 ●

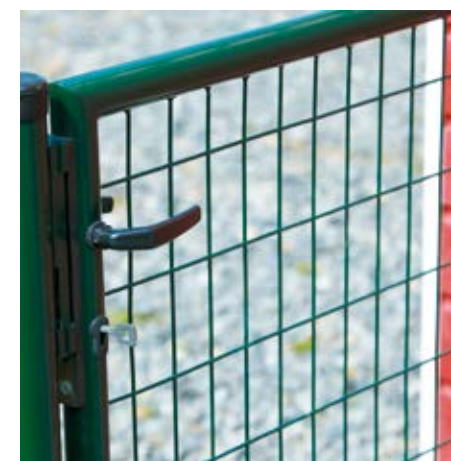


TECHNICAL FEATURES



DESCRIPTION	LENGTH (m)
Nominal opening	1.00
Actual opening	0.88
Space between posts	0.95
Leaf length	0.90
Space below gate	0.10

NOMINAL HEIGHT (m)	POST		LEAF		
	LENGTH (m)	SECTION (mm)	HEIGHT (m)	SECTION (mm)	INFILL (mm)
1.00	1.50	dia. 50	0.90	dia. 40	Mesh: 100 x 50 Wire dia.: 3.50
1.25	1.75		1.15		
1.50	2.00		1.40		
1.75	2.25		1.65		



Lock closure



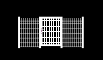
Round post and frame

COMPLEMENTARY PRODUCTS

AXIAL® welded mesh roll and UNIVERS post or ARISTA® rigid panel and UNIVERS post.

OPTIONS



NEW
OPENING
1.25mA practical
solution
for securing
entrances

RESIDENTIAL GATES

GARDEN +

PRIVATE
HOMES

RESILIENT

- Square posts.
- 50 × 50mm mesh infill.

LOCKING

- Lock with European cylinder embedded in the post.

FUNCTIONAL

- Versatile, reversible strike plate: opens in both directions (pushing or pulling).
- Possible to combine with a wall bracket by fastening it to the post.

EASY TO INSTALL

- Embedded or base-plated (with sleeves).

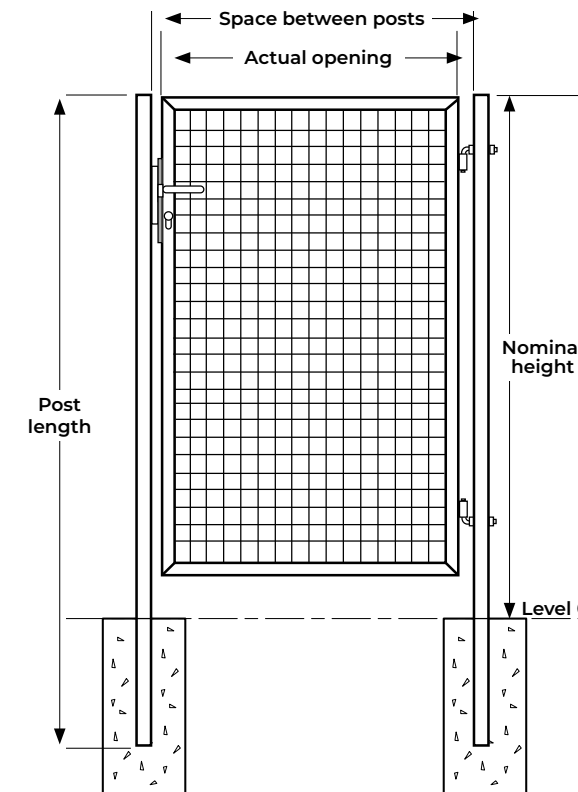
FINISH

- Sendzimir steel and polyester powder.

FEATURES

- High adherence plastic-coated sendzimir and polyester
- Square profile post and leaf
- Mesh infill 50 × 50mm, 3.90mm wire diameter
- 4 heights: 1m, 1.25m, 1.50m and 1.75m
- 2 openings: 1m, **1.25m NEW**
- 2 colours: Green 6005 ● and Grey 7016 ●

TECHNICAL FEATURES



1m ENTRANCE GATE

DESCRIPTION	LENGTH (m)
Nominal opening	1.00
Actual opening	0.82
Space between posts	0.94
Leaf length	0.87
Space below gate	0.10

NOMINAL HEIGHT (m)	POST		LEAF		
	LENGTH (m)	SECTION (mm)	HEIGHT (m)	SECTION (mm)	INFILL (mm)
1.00	1.50	50 × 50	0.90	40 × 40	Mesh: 50 × 50 Wire dia.: 3.50
1.25	1.75		1.15		
1.50	2.00		1.40		
1.75	2.25		1.65		

1.25m ENTRANCE GATE

DESCRIPTION	LENGTH (m)
Nominal opening	1.25
Actual opening	1.07
Space between posts	1.19
Leaf length	1.12
Space below gate	0.10

NOMINAL HEIGHT (m)	POST		LEAF		
	LENGTH (m)	SECTION (mm)	HEIGHT (m)	SECTION (mm)	INFILL (mm)
1.00	1.50	60 × 60	0.90	40 × 40	Mesh: 50 × 50 Wire dia.: 3.50
1.25	1.75		1.15		
1.50	2.00		1.40		
1.75	2.25		1.65		
2.00	2.50		1.90		



Embedded lock with European cylinder



Square post and frame

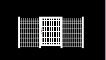
COMPLEMENTARY PRODUCTS

AXIS® M rigid panel and AXOR® post (see p. 56-57 and 98-101) or AXYLE® MS rigid panel and AXYLE® post (see p. 60-61 and 96-97).

OPTIONS



- Sleeve plate.



The perfect solution for ensuring the aesthetic continuity of a line of privacy fencing

RESIDENTIAL GATES

AXYLE® GATE

USEFUL FOR PRIVACY

- Gate designed to match our range of small-fold panels.
- The folds in the fencing and in the gate are perfectly aligned.
- Hinges are offset to minimise the gap between the leaf and the posts for optimal privacy.
- Privacy provided by **LIXO® Top** rigid slats (see p. 80 - 81).

EASY INSTALLATION

- Embedded or base-plated.
- Locinox hinges:
 - Screw-on hinge with 4-way adjustment with **BOLTON4D®**,
 - Easy-to-mount 180° hinge that does not require welding.
- Vandal-proof, adjustable height and depth.
- Adjustable distance between the gate and the post.
- Reversible (left/right).

LOCKING

- **LOCINOX RAL 9005** lock designed to match post caps. 100% stainless steel mortice lock.
- With its "Click-it" system, the lock is mounted in just a matter of seconds.
- Polyamide finger plate.
- European cylinder.
- The stainless steel anchoring system prevents the leaves from separating.

FEATURES

Frame:

- Sendzimir steel Z275
- 40 × 40mm
- 1.5mm thick
- Tube rail dia. 18mm
- 60 × 60mm posts for locks
- **AXYLE® CS** panel infill (see p. 62 - 63)
- 3 openings: 1.00m - 1.25m - 1.50m
- 4 heights: 1.03m - 1.23m - 1.53m - 1.73m (perfectly aligns with our fencing solutions)

CUSTOMISATION

- **6 standard colours:** ●●●●●○
- 200 RAL colours.
- **Matt and textured finishes.**

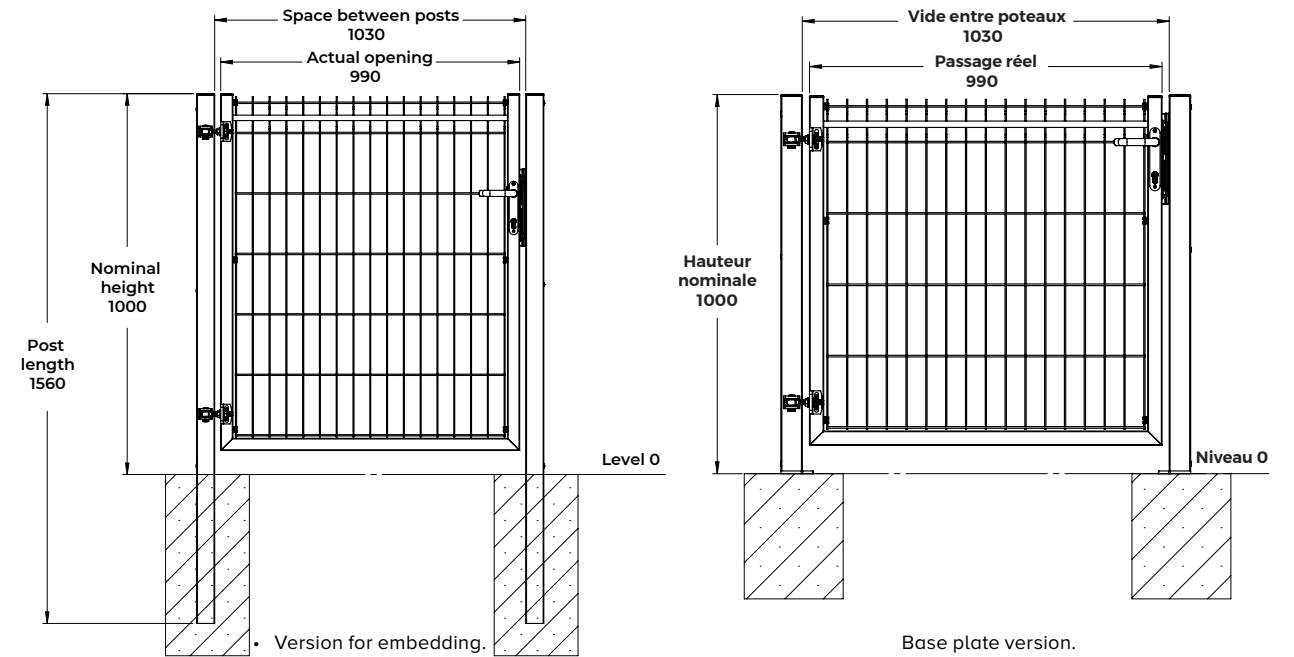
PRIVATE HOMES



HOUSING COMPLEXES



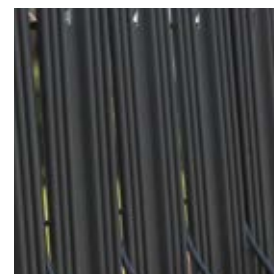
TECHNICAL FEATURES



DESCRIPTION	LENGTH (m)		
Nominal opening	1.00	1.25	1.50
Actual opening	0.99	1.21	1.49
Space between posts	1.03	1.25	1.53
Leaf length	0.99	1.21	1.49
Space under leaf in embedded version	0.08	0.08	0.08
Space under leaf in base plate version	0.09	0.09	0.09
Embedded length	0.50	0.50	0.50

NOMINAL HEIGHT (m)	POST LENGTH (m)		POST SECTION (mm)	FRAME (mm)	INFILL (mm)
	BASE-PLATED	EMBEDDED			
1.00	1.06	1.56	60 × 60	40 × 40 and bar rail dia.18	AXYLE® MS panel (55 × 200mm) dia. of wire: horizontal 5mm, vertical 4mm
1.20	1.26	1.76			
1.50	1.56	2.06			
1.70	1.76	2.31			

OPTIONS



- Compatible with the **LIXO® Top** privacy fencing system.



- Wall fastenings: to mount the fence straight onto the gate post (sold separately).



DIRICKX
ANTI-CORROSION
GUARANTEE
10 YEARS
POLYESTER

DIRICKX
ANTI-CORROSION
GUARANTEE
PROTECT+

The ideal solution for your garden and side entrances in combination with AXOR® and AXIS® fencing

RESIDENTIAL GATES

AXOR® SWING GATE

STURDINESS AND QUALITY

- Aluminium handle, finger plate and strike plate.
- Stainless steel lock with force-resistant hook.
- Hot galvanised hinges, welded to the gate.

EASY INSTALLATION

- Left/right reversible strike plate (bi-directional opening).
- Embedded or base-plated.
- Adjustable hinges (120° opening).

LOCKING

- With key (lock with European cylinder).

COORDINATED AXOR® FENCES AND GATES

- Uniform panel and gate height.

CUSTOMISATION

- 6 standard colours:** ●●●●●○
- 200 RAL colours.**
- Matt and textured finishes..**

FEATURES

- High adherence polyester-coated steel
- Square profile post and leaf
- Frame: 50 × 30mm
- Mesh infill 100 × 50mm, 4.50mm wire diameter
- 5 heights: 1m, 1.20m, 1.50m, 1.70m, and 1.90m
- Opening: 1m

MATCHES

AXOR® fences (see p. 50 to 53)

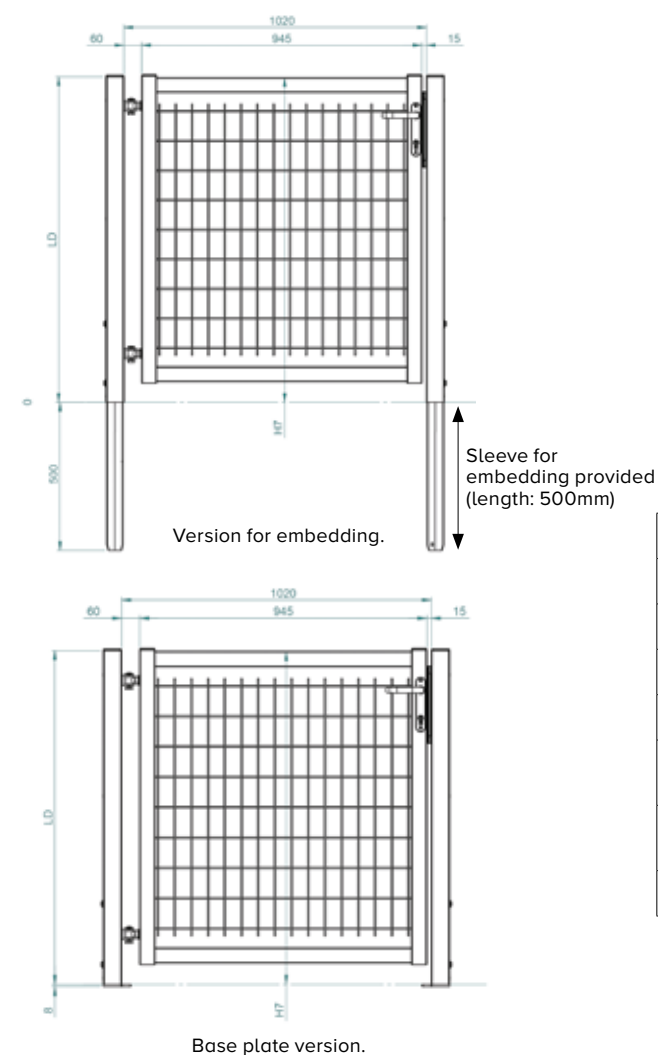
PRIVATE HOMES



HOUSING COMPLEXES



TECHNICAL FEATURES



Scan the QR code to watch a video on how to install the AXOR® gate



DESCRIPTION	DIMENSIONS (m)
Nominal opening	1.00
Actual opening	0.94
Space between posts	1.02
Leaf length	0.94
Space under leaf in embedded version	0.07
Space under leaf in base plate version	0.08
Embedded length	0.50

NOMINAL HEIGHT (m)	ABOVE GROUND HEIGHT (LD)	POST LENGTH (m)		POST SECTION (mm)	FRAME (mm)	INFILL (mm)
		BASE-PLATED	EMBEDDED			
1.00	1.10	1.11	1.10	60 × 60	40 × 40 and bar rail dia. 18	AXYLE® MS panel (55 × 200mm) dia. of wire: horizontal 5mm, vertical 4mm
1.20	1.30	1.31	1.30			
1.50	1.60	1.51	1.50			
1.70	1.80	1.81	1.80			
1.90	2.00	2.01	2.00			

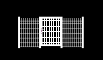
OPTIONS



- Compatible with **LIXO®**, **LIXO® Horizontal**, **LIXO® + Finish** systems (see p. 70 to 75).



- Wall fastenings: to mount the fence straight onto the gate post (sold separately).



Ideal for your garden and side entrances in combination with AXOR® and AXIS® fencing

RESIDENTIAL GATES

AXOR® GATE

CHOICE

- Double-leaf gate with opening widths of 3m and 4m.

FUNCTIONAL

- Reversible strike plate (bi-directional opening).

EASY INSTALLATION

- Adjustable hinges (120° opening).

LOCKING

- With key (lock with European cylinder).

CUSTOMISATION

- 6 standard colours: ●●●●●○
- 200 RAL colours.
- **Matt and textured finishes.**
- Compatible with LIXO® and LIXO® Horizontal systems (see p. 70 - 73).

FEATURES

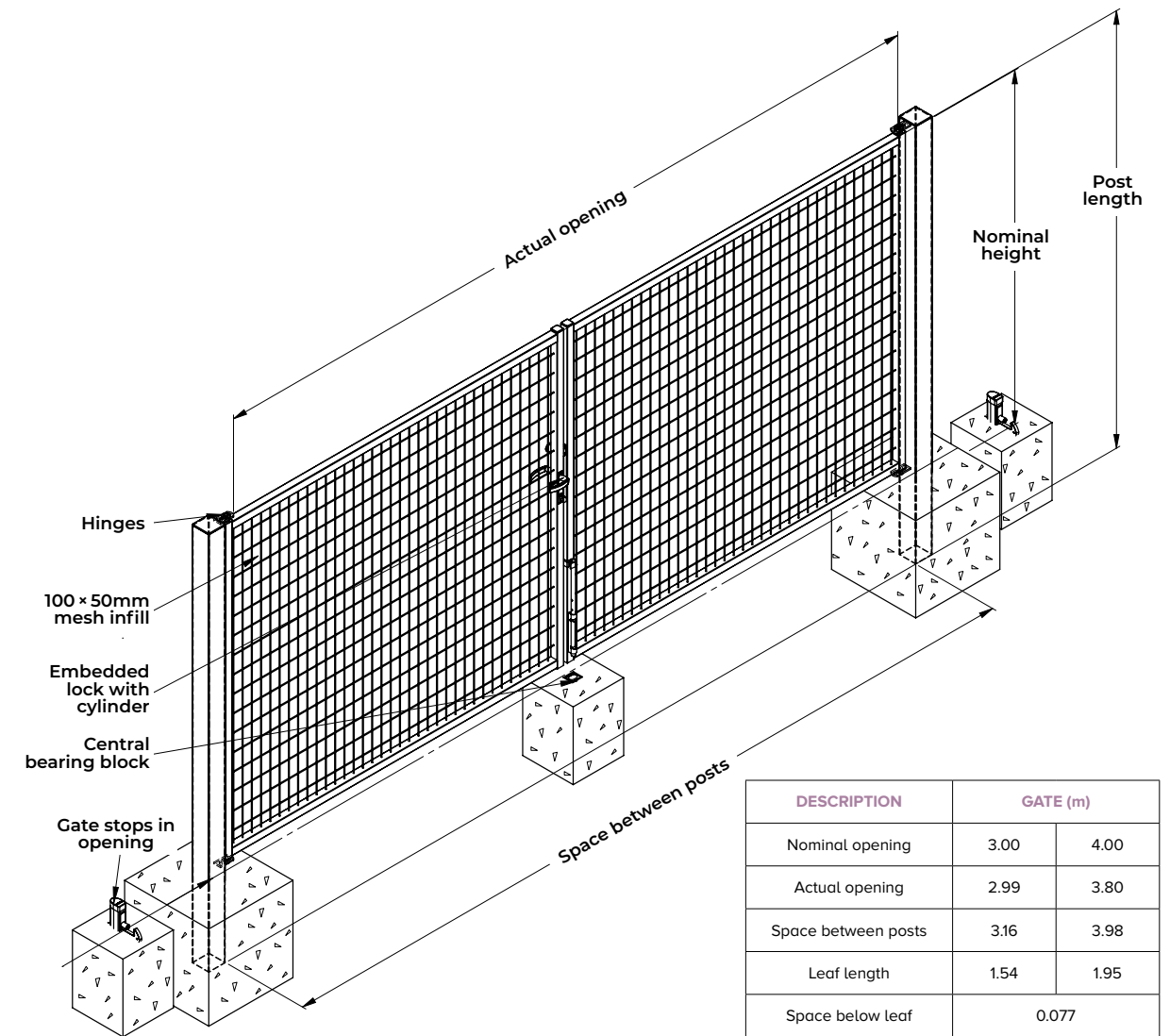
- High adherence polyester-coated steel
- Square profile post and leaf
- Mesh infill 100 × 50mm, 4.50mm wire diameter
- 5 heights: 1 to 2m

MATCHES

AXOR® fences (see p. 50 to 53)



TECHNICAL FEATURES



NOMINAL HEIGHT (m)	POST		LEAF		INFILL (mm)
	LENGTH (m)	SECTION (mm)	HEIGHT (m)	SECTION (mm)	
1.00	1.50	60 × 60, 80 × 80 or 100 × 100	1.02	40 × 40	Mesh: 100 × 50 Wire dia.: 4.50
1.25	1.75		1.22		
1.50	2.00		1.42		
1.75	2.25		1.72		
2.00	2.50		1.92		

OPTION



- Wall fastenings: to mount the fence straight onto the gate post (sold separately).



A range of aluminium gates offering a sleek design and a wealth of personalisation possibilities

RESIDENTIAL GATES

ELIXIUM® GATE

A HOST OF CHOICES

- 2 types of openings:
 - Cantilever (sliding gate without rail),
 - Swing gates.
- 2 types of operation: manual and motorised.
- Custom sizing: heights from 1.00m to 2.00m and opening widths from 1.00m to 5.00m (by intervals of 1cm).

CUSTOMISATION

- 5 infill models.
- **6 standard colours:** ●●●●●○
- Other RAL colours.
- Single- or two-tone gate.

QUALITY

- Thermo-lacquered aluminium gate.
- Coating with 15-year guarantee.

RELIABLE AND SECURE

- Complies with standard NF EN 13241.

FEATURES

- Thermo-lacquered aluminium
- Custom heights of 1m to 2m
- Custom opening widths of 1 to 5m

PRIVATE HOMES

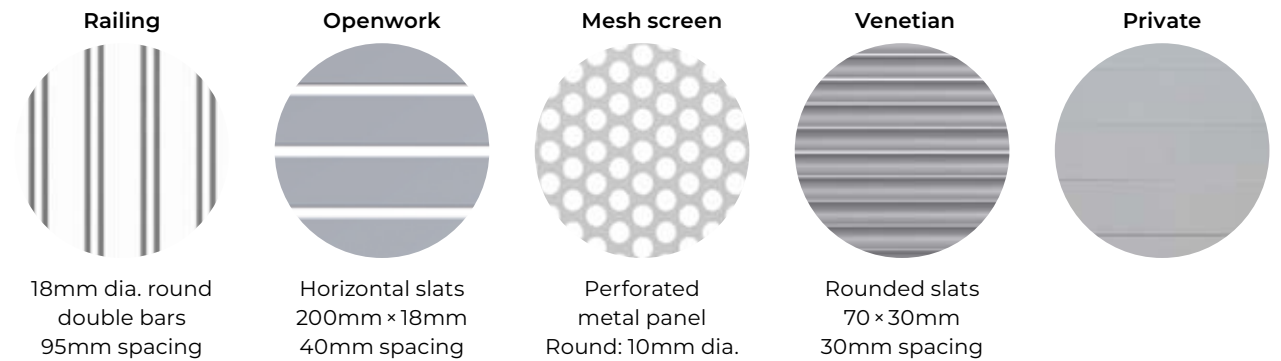


TECHNICAL FEATURES

HEIGHT (m)	OPENING WIDTH (m)	FRAME SECTION	BOTTOM BEAM SECTION*	NUMBER OF INTERMEDIATE STRAINING POSTS*
All heights from 1 to 2m (at 1cm intervals)	All opening widths from 1 to 5m (at 1cm intervals)	80×50mm	168×130mm	1 for opening widths of 1 to 4.75m 2 for opening widths of 4.76 to 5m

*For cantilever gates

PANEL INFILL



OPTIONS

- Base-plated posts.
- Drive motor kits.
- **ELIXIUM®** fences matched with gates (upon conducting a study and only accompanied by a gate).

CONTROL ACCESSORIES:
SEE "ADDITIONAL EQUIPMENT"
p. 220 - 221

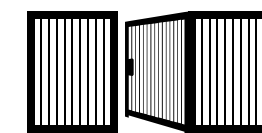




Ranges developed to be consistent with the fencing and other points of access to create coherent sets.

INDUSTRIAL SWING GATES

CREATE BOUNDARIES, PROVIDE SECURITY AND ENHANCE SITES. DEPENDING ON THE RANGE AND PERSONALISATION OPTIONS, SWING GATES CAN BE USED FOR A WIDE VARIETY OF APPLICATIONS.





Suitable for sites with a medium level of traffic

INDUSTRIAL SWING GATES ESPACE MANUAL

SERVICE SECTOR SITES



INDUSTRIAL & LOGISTICS SITES



SENSITIVE SITES



A COST-EFFECTIVE ALTERNATIVE

- Suitable for numerous uses, for example: SME entrance or secondary entrances, public parks.

CHOICE

- Single- or double-leaf.

FUNCTIONAL

- Manual operation.
- Meets standards for PRM (persons with reduced mobility).

EASY INSTALLATION

- Reversible strike plate (bi-directional opening).
- Adjustable hinges (120° opening).
- Welded attachment plate.

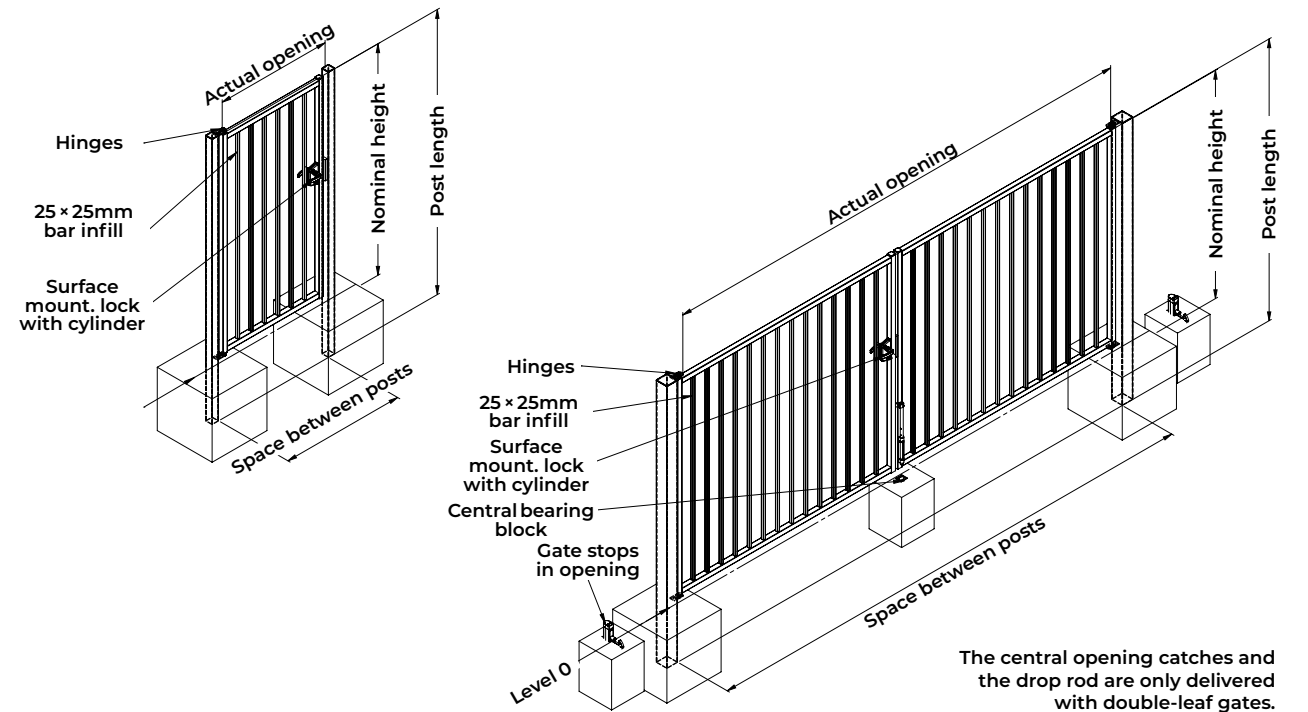
SECURITY

- Surface-mounted Locinox lock with European cylinder.

FEATURES

- Infill: non-overstanding 25 × 25mm square bars, 110mm intervals
- Frame section 40 × 40mm
- Post section varies depending on the dimensions
- Finish: zinc-epoxy + polyester
- Colours: Green 6005 ●, Grey 7016 ●, White 9010 ○

TECHNICAL FEATURES



Single-leaf gate

NOMINAL OPENING (m)	1.00	1.25	1.50
ACTUAL OPENING (m)	0.92	1.20	1.47
SPACE BETWEEN POSTS (m)	1.05	1.33	1.60
LEAF LENGTH (m)	1.00	1.27	1.54
SPACE BELOW LEAF (m)	0.08		

Double-leaf gate

NOMINAL OPENING (m)	3.00	4.00
ACTUAL OPENING (m)	2.99	3.80
SPACE BETWEEN POSTS (m)	3.16	3.97
LEAF LENGTH (m)	1.54	1.95
SPACE BELOW LEAF (m)	0.08	

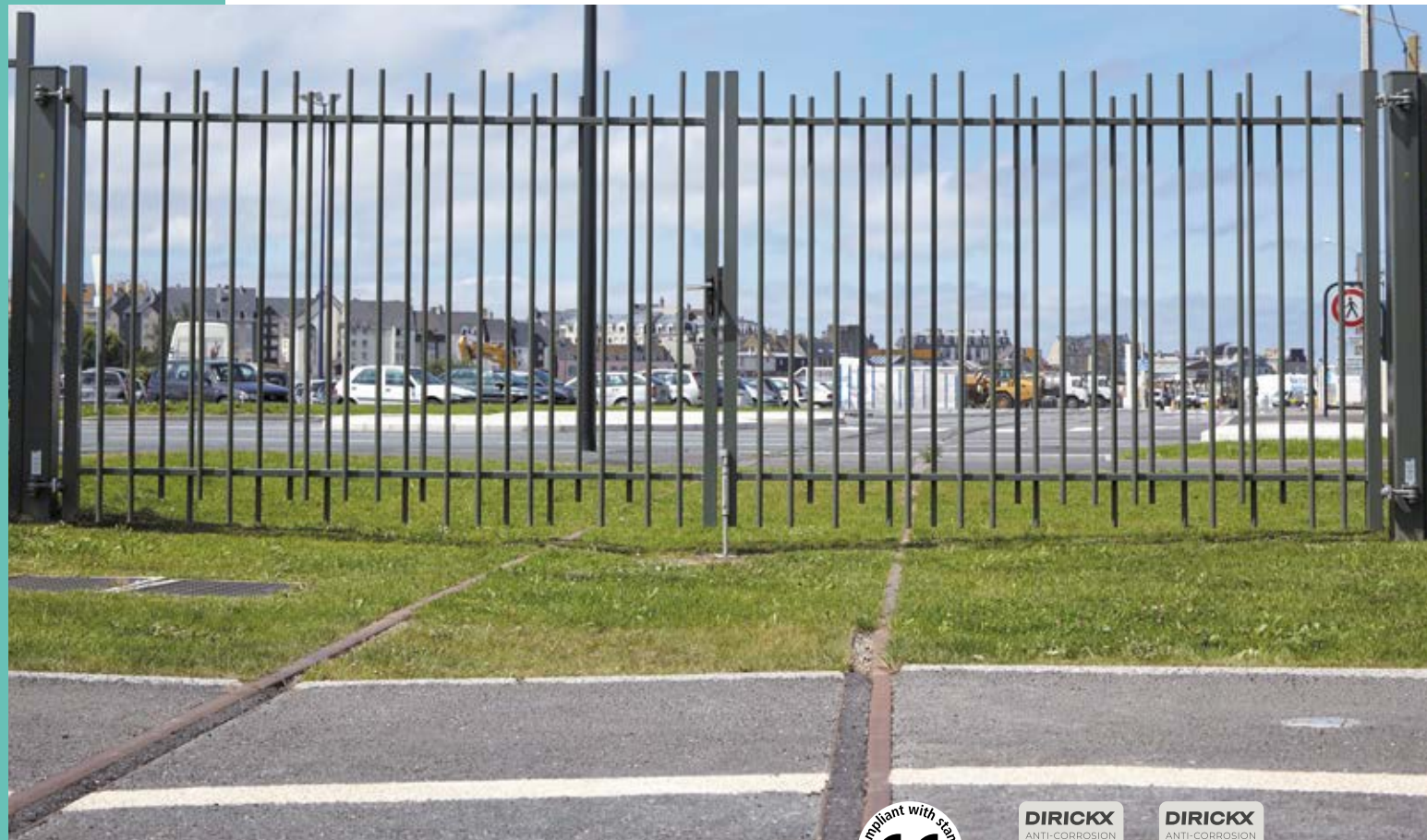
HEIGHT (m)	POST LENGTH (m)	OPENING WIDTH (m)			FRAME (mm)
		1.00	1.25	1.50	
		POST SECTIONS (mm)			
1.00	1.50	60 × 60		60 × 60	40 × 40
1.25	1.75			80 × 80	
1.50	2.00			80 × 80	
1.75	2.25			100 × 100	
2.00	2.50	100 × 100			

HEIGHT (m)	POST LENGTH (m)	OPENING WIDTH (m)		FRAME (mm)
		3.00	4.00	
		POST SECTIONS (mm)		
1.00	1.50	60 × 60	60 × 60	40 × 40
1.25	1.75		60 × 60	
1.50	2.00	80 × 80	80 × 80	
1.75	2.25		100 × 100	
2.00	2.50	100 × 100		

OPTION



- Fence fastening bracket: Allows for assembly directly from a wall or gate post.



With its many options and accessories, this gate will meet all your needs

INDUSTRIAL SWING GATES

ALLIX® MANUAL

PRIVATE HOMES



SERVICE SECTOR SITES



INDUSTRIAL & LOGISTICS SITES



CHOICE AND STYLE

- Single- and double-leaf swing gates.
- Various infills matching all types of fencing.
- Options and accessories to customise the gate and fully meet each site's requirements.

EASY INSTALLATION

- Adjustable hinges.
- Opens 180° (in some options).
- Pre-fitted accessories (lock, latch, hinges, drop rod).
- Reversible accessories (in some options).

SECURITY

- Lock with European cylinder.
- Anti-intrusion latch with anti-lift system.

FINISH

- Zinc-epoxy + polyester coating.
- "Protect +" coating available in all colours for the most corrosive areas.

COLOURS

- **6 standard colours:** ●●●●●○
- 200 RAL colours.
- **Matt and textured finishes.**

FEATURES

- Standard infill: non-overstanding 25 x 25mm square bars, 110mm intervals
- Frame section varies depending on the dimensions
- Post section varies depending on the dimensions

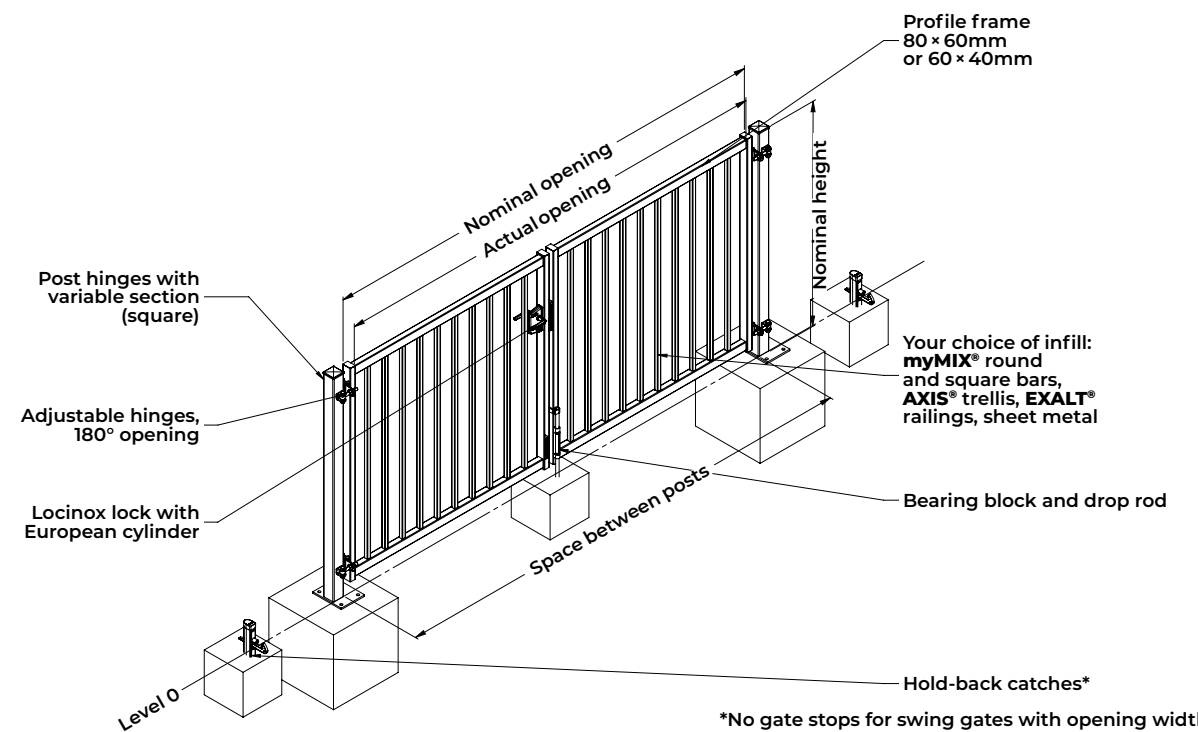
OPTIONS

- Infills.
- Change of frame section.
- Change of post section.
- Fence fastening bracket.
- Toothed rail.
- Motor-ready structure.

ACCESSORIES

- Gate closer.
- Maglocks.
- Mortice lock.
- Mechanical code locks.
- Electric locks.
- Axial hinges.
- Panic exit device.

TECHNICAL FEATURES



		NOMINAL GATE OPENING (m)																		
		60 x 40mm frame											80 x 60mm frame							
Single-leaf	NOMINAL OPENING	1.00	1.25	1.50	1.75	2.00	2.25	2.50	2.75	3.00	3.25	3.50	3.75	4.00	4.25	4.50	4.75	5.00		
		Space between posts	1.08	1.35	1.62	1.755	2.025	2.295	2.565	2.835	3.105	3.375	3.51	3.78	4.05	4.36	4.63	4.765	5.035	
		Actual opening	1.025	1.295	1.565	1.70	1.97	2.24	2.51	2.78	3.05	3.32	3.455	3.725	3.995	4.305	4.575	4.71	4.98	
Double-leaf	NOMINAL OPENING	2.00	2.50	3.00	3.50	4.00	4.50	5.00	5.50	6.00	6.50	7.00	7.50	8.00	8.50	9.00	9.50	10.00		
	Space between posts = actual opening	2.13	2.67	3.21	3.48	4.02	4.56	5.10	5.64	6.18	6.72	6.99	7.53	8.07	8.69	9.23	9.50	10.04		
Single- & double-leaf	LEAF LENGTH	1.00	1.27	1.54	1.675	1.945	2.215	2.485	2.755	3.025	3.295	3.43	3.70	3.97	4.28	4.55	4.685	4.955		
		POST SECTION (mm)																		
Nominal gate height (m)	1.00	80 x 80					100 x 100					120 x 120			150 x 150					
	1.20	80 x 80					100 x 100					120 x 120		120 x 120	150 x 150					
	1.50	80 x 80					100 x 100					120 x 120					150 x 150			
	1.70	80 x 80					100 x 100					120 x 120					150 x 150			
	1.80	80 x 80		100 x 100			120 x 120					150 x 150		150 x 150		200 x 200				
	2.00	80 x 80		100 x 100			120 x 120			150 x 150										
	2.20	100 x 100		120 x 120					150 x 150											
2.50	100 x 100		120 x 120					150 x 150												

Also available as a motor-ready structure without any unnecessary accessories or drilling (non-CE certified – in accordance with Article 6.1 of standard EN 13241, installers are responsible for certifying these products or having them certified and meeting obligations).

CONTROL ACCESSORIES:

SEE "ADDITIONAL EQUIPMENT" P. 220 - 221



INFILLS

myMIX® square railings

- 25×25mm square bars, overstanding or non-overstanding, matching all myMIX® railing configurations.
- The non-overstanding bars are equipped with caps on the bars.



Gate with 2 identical leaves, opening width 3m - height 1.50m.



Swing gate, opening width 1.50m - ht. 2m.

myMIX® round railings

- Round bars with a dia. of 20, 25 or 30mm, overstanding or non-overstanding, matching all myMIX® railing configurations.



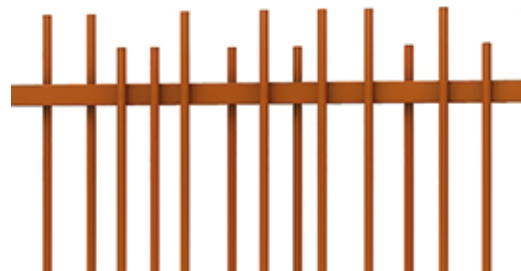
Gate with 2 identical leaves, opening width 10m - height 2m.



Swing gate, opening width 3m - ht. 2m.

EXALT® railings

- Match the following 4 models: **EXALT® Origin, Natura, Urba** and **Delta**.
- 25mm dia. overstanding round bars (20, 25 and 30mm dia. for **EXALT® Delta**).
- 60×80mm frame.
- The overstanding bars are equipped with caps on the bars.



Gate with 2 identical leaves, opening width 6m - height 2m.



Swing gate, opening width 1.25m - ht. 1.80m.

AXIS® wire mesh

- Right panel welded in the frame.
- 55×200mm mesh.
- Wire dia. 5mm.
- 40×40mm bracing rail.



Gate with 2 identical leaves, opening width 5m - height 2m.



Swing gate, opening width 2m - ht. 2m.

Sheet metal

- Maximum dimensions:
 - Single-leaf: 2.50m,
 - Double-leaf: 5m.
- Heights up to 2.00m.
- Guide post section varies depending on gate dimensions (120×120 or 150×150mm).
- 60×80mm frame.



Gate with 2 identical leaves, opening width 4m, height 1.80m, outside view.



Swing gate, opening width 1m, ht. 2m, inside view.

More technical info at www.dirickx.fr



It meets the access requirements of any site with a choice of 2 motorised models

INDUSTRIAL SWING GATES

ALLIX® MOTORISED WITH HYDRAULIC CYLINDER OPERATING SYSTEM



HOUSING COMPLEXES



PUBLIC AREAS



INDUSTRIAL & LOGISTICS SITES



SENSITIVE SITES



ADAPTABILITY

- Single- or double-leaf.
- 2 motorisation types to meet the specific access requirements of each individual site:
 - Fail-secure system, ideal for industrial sites: the gate remains locked even when power is lost. Can be unlocked with a key.
 - Fail-safe system, recommended for shared sites: in the event of power loss, the gate can be operated.
- A whole host of options and accessories to meet all requirements and applications.

EASY INSTALLATION

- Pre-wired in factory.
- All accessories are pre-fitted on the structure (safety devices, lock, drop rod, maglock, etc.).
- Adjustable hinges.

SECURITY

- Accessories included in the pack and sized to ensure that the gate operates effectively and is secure (maglock, electric lock, spring drop rod, electric dropbolt).

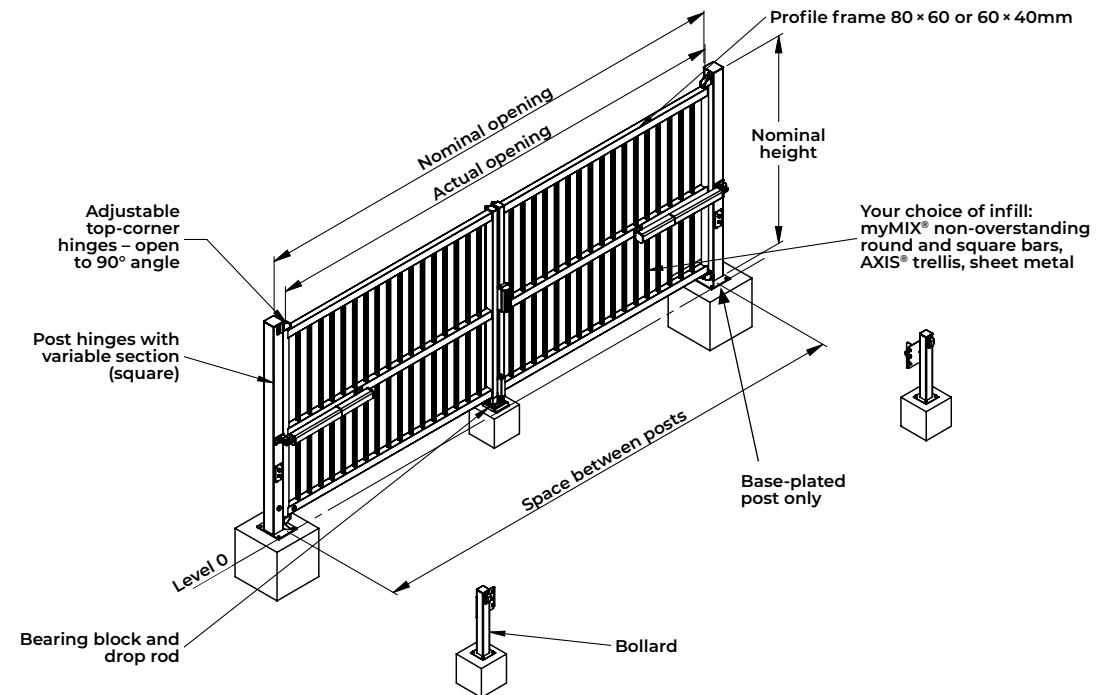
FEATURES

- Standard infill: non-overstanding 25 x 25mm square bars, 110mm intervals
- Frame section 80 x 60mm
- Post section varies depending on the dimensions
- Base-plated post

COLOURS

- **6 standard colours:** ●●●●●○
- 200 RAL colours.
- **Matt and textured finishes.**

TECHNICAL FEATURES



Single-leaf swing gate

NOMINAL OPENING (m)		1.25	1.50	1.75	2.00	2.50	3.00
MOTORISED BY CYLINDER – FAIL-SECURE – INDUSTRIAL SITE							
NOMINAL HEIGHT (m)	1.00	No "pedestrian" single-leaf swing gate with self-locking operator			400 CBAC motorisation ⁽¹⁾	400 CBAC motorisation Lock closed with an electric lock (NH ≥ 1.20m) and a 500kg maglock (NH < 1.20m)	
	1.20						
	1.50						
	1.70						
	1.80						
	2.00						
	2.20						
2.50							
MOTORISED BY CYLINDER – FAIL-SAFE – PUBLIC ACCESS SITE							
NOMINAL HEIGHT (m)	1.00	422 SB motorisation Lock closed with a 500kg maglock ^{(2) (3)}				400 SB motorisation Lock closed with a 500kg maglock ⁽²⁾	
	1.20						
	1.50						
	1.70						
	1.80						
	2.00						
	2.20						
2.50							

Double-leaf swing gate

NOMINAL OPENING (m)		3.00	4.00	5.00	6.00
MOTORISED BY CYLINDER – FAIL-SECURE – INDUSTRIAL SITE					
NOMINAL HEIGHT (m)	1.00	400 CBAC motorisation ⁽⁴⁾		400 CBAC motorisation Lock closed with an electric lock	
	1.20				
	1.50				
	1.70				
	1.80				
	2.00				
	2.20				
2.50					
MOTORISED BY CYLINDER – FAIL-SAFE – PUBLIC ACCESS SITE					
NOMINAL HEIGHT (m)	1.00	422 SB motorisation Lock closed with a 500kg maglock and spring drop rod ^{(5) (6)}		400 SB motorisation Lock closed with a 500kg maglock and spring drop rod ⁽⁶⁾	
	1.20				
	1.50				
	1.70				
	1.80				
	2.00				
	2.20				
2.50					

- (1) Option: lock closed with an electric lock for an NH ≥ 1m and a 500kg maglock for NH < 1.20m.
- (2) Option: locked open with a 250kg bollard-mounted maglock.
- (3) Option: 400 SB motorisation, 80 x 60 frame, for openings > 1.75m.
- (4) Option: locked in closed position by electrical drop rod.
- (5) Option: 400 SB motorisation, 80 x 60 frame, for openings > 3.50m.
- (6) Option: double-leaf locked open with 2x 250kg bollard-mounted maglocks.



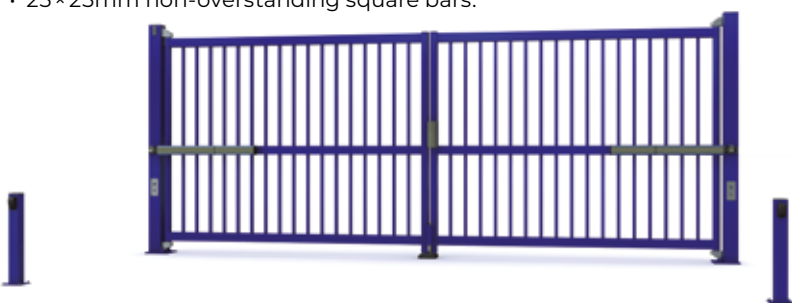
POST DIMENSIONS

		NOMINAL OPENING (m)								
Single-leaf		1.00	1.25	1.50	1.75	2.00	2.25	2.50	2.75	3.00
Double-leaf		2.00	2.50	3.00	3.50	4.00	4.50	5.00	5.50	6.00
		POST DIMENSIONS (mm)								
NOMINAL HEIGHT (m)	1.00	120×120×4				150×150×5				
	1.10 to 1.20	120×120×4				150×150×5				
	1.30 to 2.00	120×120×4				150×150×5				
	2.10 to 2.50	120×120×4				150×150×5				

INFILLS

myMIX® square railings

- 25×25mm non-overstanding square bars.



Gate with 2 identical leaves, opening width 5m - height 2m.



Swing gate, opening width 1.50m - ht. 2m.

myMIX® round railings

- 25mm dia. non-overstanding round bars.



Gate with 2 different sized leaves, opening width 1.50m + 3m - ht. 2m.



Single-leaf gate, opening width 3m, ht. 2m.

AXIS® wire mesh

- Right panel. • 55×200mm mesh. • 5mm dia. wire. • 35×35mm bracing rail.



Gate with 2 identical leaves, opening width 6m - height 2m.



Swing gate, opening width 1.50m - ht. 2m.

Motorised swing gates with EXALT® and sheet metal infills are available upon assessment.

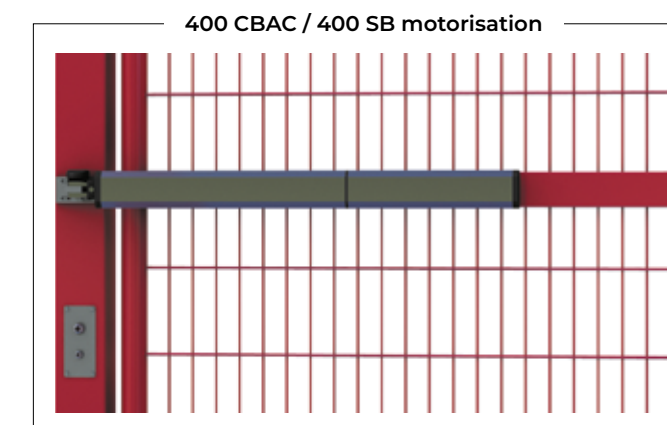
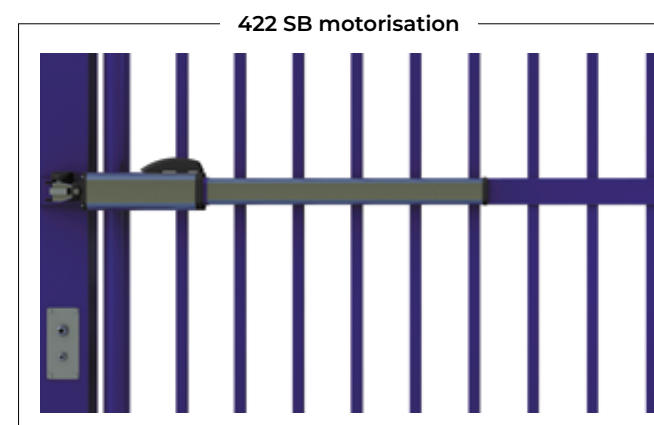


DRIVE MOTOR

- Hydraulic cylinder.
- 2 motorisation types (fail-secure and fail-safe).
- 3 motors depending on configurations (422 SB, 400 CBAC or 400 SB).

TESTÉ
100 000
CYCLES

GARANTIE
DIRICKX
2 ANS
MOTORISATION

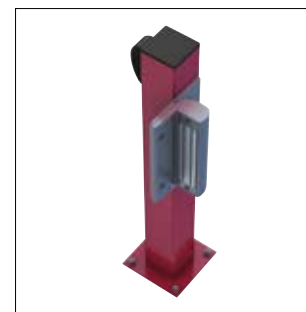


OPTIONS

- Infills.
- Change of post section.
- Fence fastening bracket.
- Toothed rail.

ACCESSORIES

- Opening bollard-mounted maglock.
- Cabinet support.
- Magnetic loop.
- Coded keypad.
- Intrabox.
- Remote control.



Bollard-mounted maglock



Closing maglock



Electric drop rod



Electric lock

CONTROL ACCESSORIES:

SEE "ADDITIONAL EQUIPMENT" P. 220 - 221



It provides the comfort and security of a motorised gate while preserving the design thanks to its concealed motorised system

INDUSTRIAL SWING GATES

ALLIX® MOTORISED

WITH EMBEDDED HYDRAULIC CYLINDER OPERATING SYSTEM

DESIGN AND DISCRETION

- A wide assorted range providing the perfect blends of fences and gates, especially with the **myMIX®** and **EXALT®** railings.
- Motor is not visible, protected from vandalism.

ADAPTABILITY

- 2 motorisation types to meet the specific access requirements of each individual site:
- In the event of power loss:
 - The priority is to protect any goods by keeping the gate locked (designed for industrial sites). The gate can then be manually released using a key = Fail-secure system S 800 CBAC.
 - The objective is to unlock the entrances (recommended for apartment complexes). The gate is automatically manoeuvrable without a key = Fail-safe system S 800 SBW.

EASY INSTALLATION

- Inserts to help with civil engineering.
- Adjustable hinges.
- Pre-wired in factory.
- Accessories come assembled on the gate (security system, lock mechanisms, drop rod, maglock, etc.).

FEATURES

- Standard infill: non-overstanding 25 x 25mm square bars, 110mm intervals
- Frame section 80 x 60mm
- Post section varies depending on the dimensions
- Posts on inserts

SECURITY

- Accessories included in the pack and sized to ensure that the gate operates effectively and is secure (maglock, electric lock, electrical or spring drop rod).

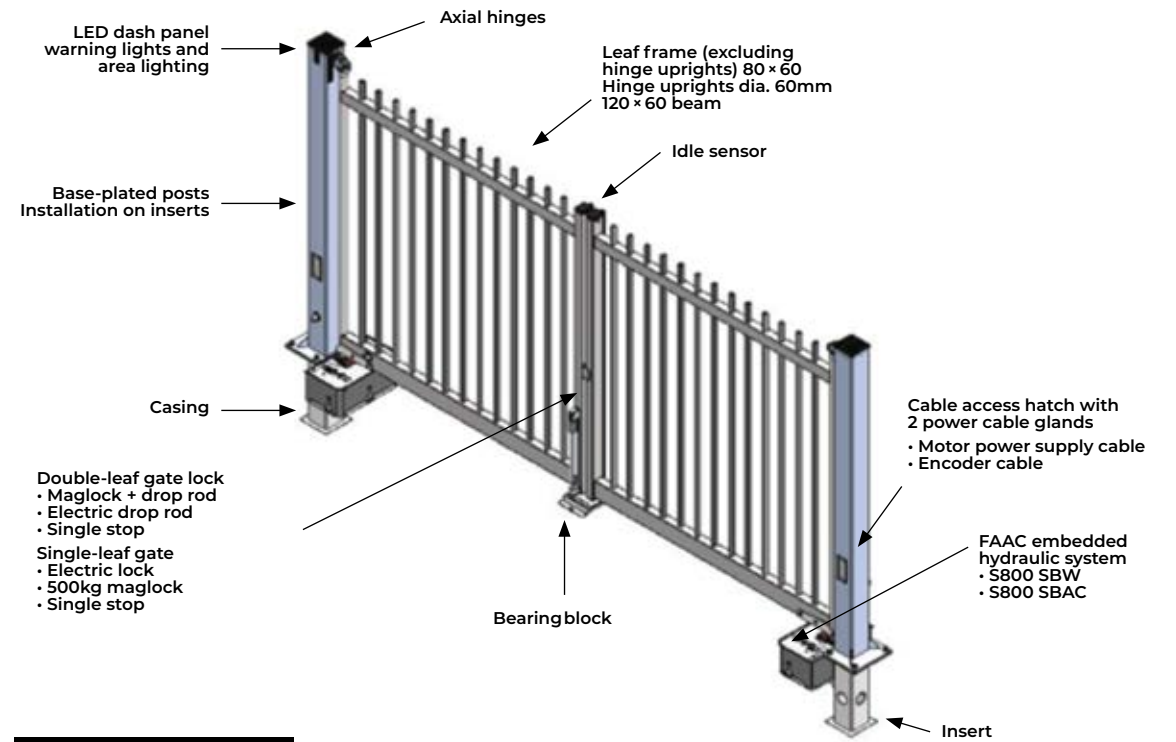
COLOURS

- **6 standard colours:** ●●●●●○
- 200 **RAL** colours.
- **Matt and textured finishes.**



More technical info at www.dirickx.fr

TECHNICAL FEATURES



Single-leaf swing gate

NOMINAL OPENING (m)		1.25	1.50	1.75	2.00	2.25	2.50	3.00
FAIL-SECURE SYSTEM – INDUSTRIAL SITE								
NOMINAL HEIGHT (m)	1.00	NOT AVAILABLE			S 800 CBAC		S 800 CBAC	
	1.20	A fail-secure side gate is frequently damaged by users who push on the leaf to open it			Optional: Locking in closed position by electric lock		Locking in closed position by electric lock	
	1.50							
	1.70							
	1.80							
	2.00							
	2.20							
2.50								
FAIL-SAFE SYSTEM – HOUSING COMPLEX								
NOMINAL HEIGHT (m)	1.00	S 800 SBW						
	1.20	Locking in closed position by 500kg maglock						
	1.50							
	1.70							
	1.80							
	2.00							
	2.20							
2.50	Optional: Locked in open position by 250kg bollard-mounted maglock							

Double-leaf swing gate

NOMINAL OPENING (m)		1.25	1.50	1.75	2.00	2.25	2.50	3.00
FAIL-SECURE SYSTEM – INDUSTRIAL SITE								
NOMINAL HEIGHT (m)	1.00	S 800 CBAC			S 800 CBAC		S 800 CBAC	
	1.20	Optional: Locked in closed position by electric drop rod			Optional: Locked in closed position by electric drop rod		Locking in closed position by electric drop rod	
	1.50							
	1.70							
	1.80							
	2.00							
	2.20							
2.50								
FAIL-SAFE SYSTEM – HOUSING COMPLEX								
NOMINAL HEIGHT (m)	1.00	S 800 SBW						
	1.20	Locking in closed position by 500kg maglock and drop rod						
	1.50							
	1.70							
	1.80							
	2.00							
	2.20							
2.50	Optional: Locked in open position by 250kg bollard-mounted maglock							

**POST DIMENSIONS**

	NOMINAL OPENING (m)							
	1.25	1.50	1.75	2.00	2.25	2.50	2.75	3.00
Single-leaf	120×120×4				150×150×5			
	2.50	3.00	3.50	4.00	4.50	5.00	5.50	6.00
Double-leaf	120×120×4		150×150×5					

INFILLS**myMIX® square railings**

- 25×25mm square bars
- Overstanding or non-overstanding
- Straight or 45° angle.

**myMIX® round railings**

- 20, 25 or 30mm dia. overstanding or non-overstanding round bars.

**EXALT® railings**

- Round bars with dia. 20, 25, 30mm
- Models to choose from: ORIGIN - NATURA - URBA - DELTA.

**INFILLS****AXIS® wire mesh**

- Mesh: 200×55mm
- Max. size: Single-leaf = 4m - Double-leaf = 8m.



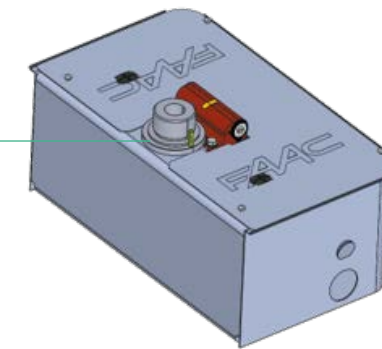
For reasons of wind resistance, panel infills are not offered with standard packages. Contact us for more information.

DRIVE MOTOR

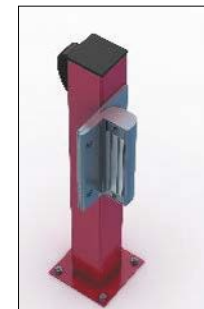
- Embedded hydraulic system, not visible.
- 2 motorisation types (fail-secure S 800 CBAC and fail-safe S 800 SBW) depending on the site or your needs.
- Powerful motor, waterproof and dustproof.
- Operates smoothly and quietly.



Motor in the casing

**OPTIONS**

- Infills.
- Change of post section.
- Fence fastening bracket.
- Toothed rail.



Bollard-mounted maglock



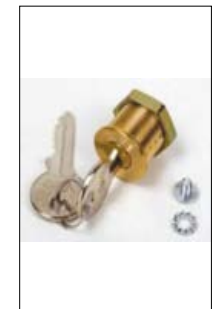
Electric lock



Electric drop rod



Cabinet support



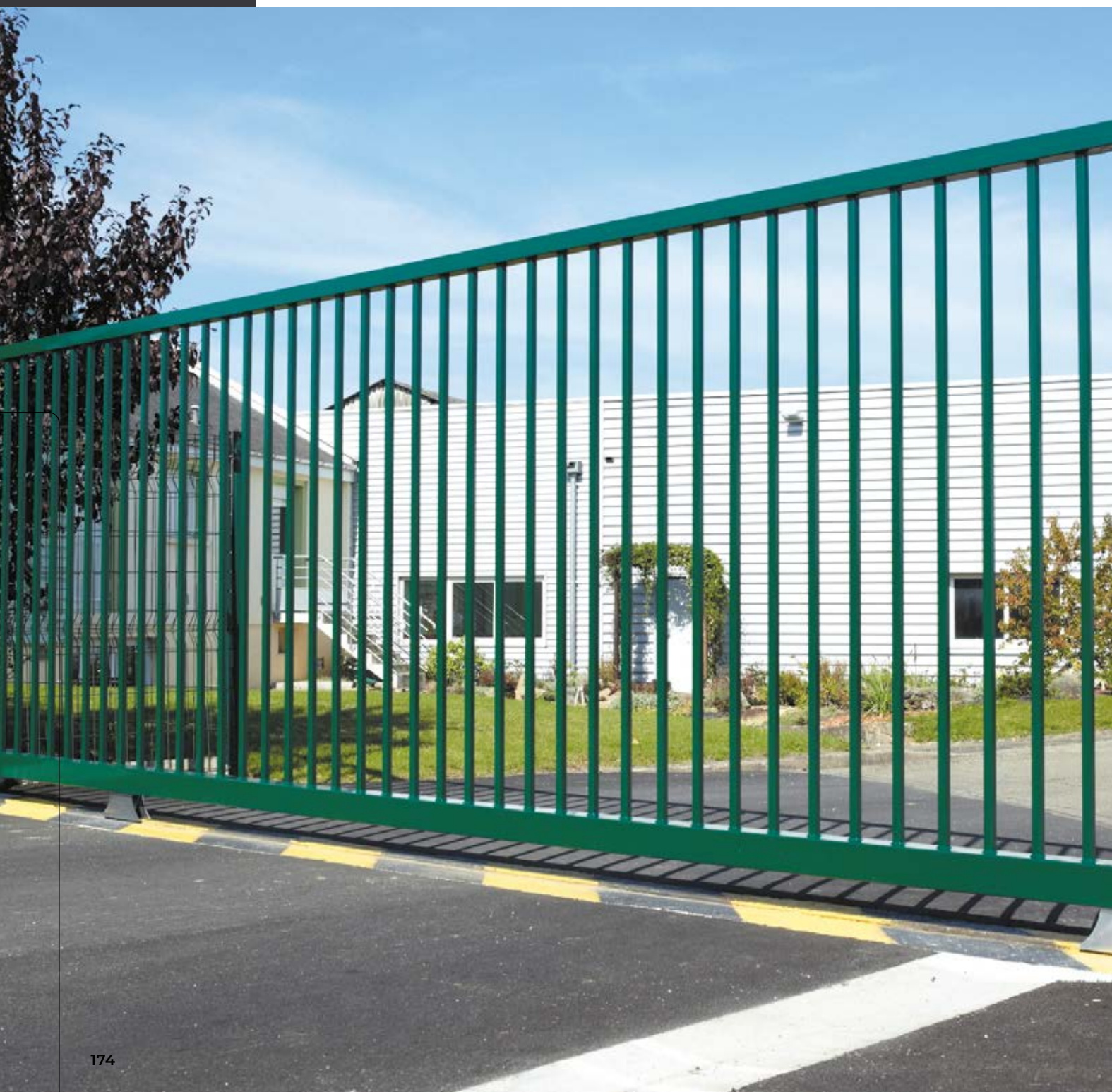
Lock with key for control board cabinet

ACCESSORIES

- Opening bollard-mounted maglock.
- Electric lock.
- Electric drop rod.
- Cabinet support.
- Lock with key for control board cabinet.

CONTROL ACCESSORIES:

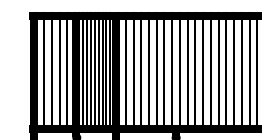
SEE "ADDITIONAL EQUIPMENT" P. 220 - 221



Our multi-purpose sliding gates are available as manual and motorised versions and match our fencing perfectly.

INDUSTRIAL SLIDING GATES

VARIETY, EASE-OF-INSTALLATION AND STYLE.





A cost-effective alternative for controlling access to sites with medium traffic volumes

INDUSTRIAL SLIDING GATES

ESPACE

CHOICE

- Operation: manual and motorised.

SIMPLICITY

- Easy to use and handle.
- For the motorised version: pre-wiring and tests performed in factory.

SECURITY

- Manual version: lock with European cylinder.
- Motorised version equipped with all low-voltage and low-consumption accessories: detection cells, active and inactive sensitive edges, flashing lights and area lighting.
- **New!** Surface-mounted LED lighting panels and flashing lights.

FEATURES

- Infill: non-overstanding 25 x 25mm square bars, 110mm intervals
- Frame: 60 x 60mm
- Beam: 100 x 100mm
- Guide post: 100 x 100mm
- Receiving post: 100 x 100mm
- Colours: Green 6005 ●, Grey 7016 ●, White 9010 ○
- Finish: zinc-epoxy + polyester

HOUSING COMPLEXES



PUBLIC AREAS



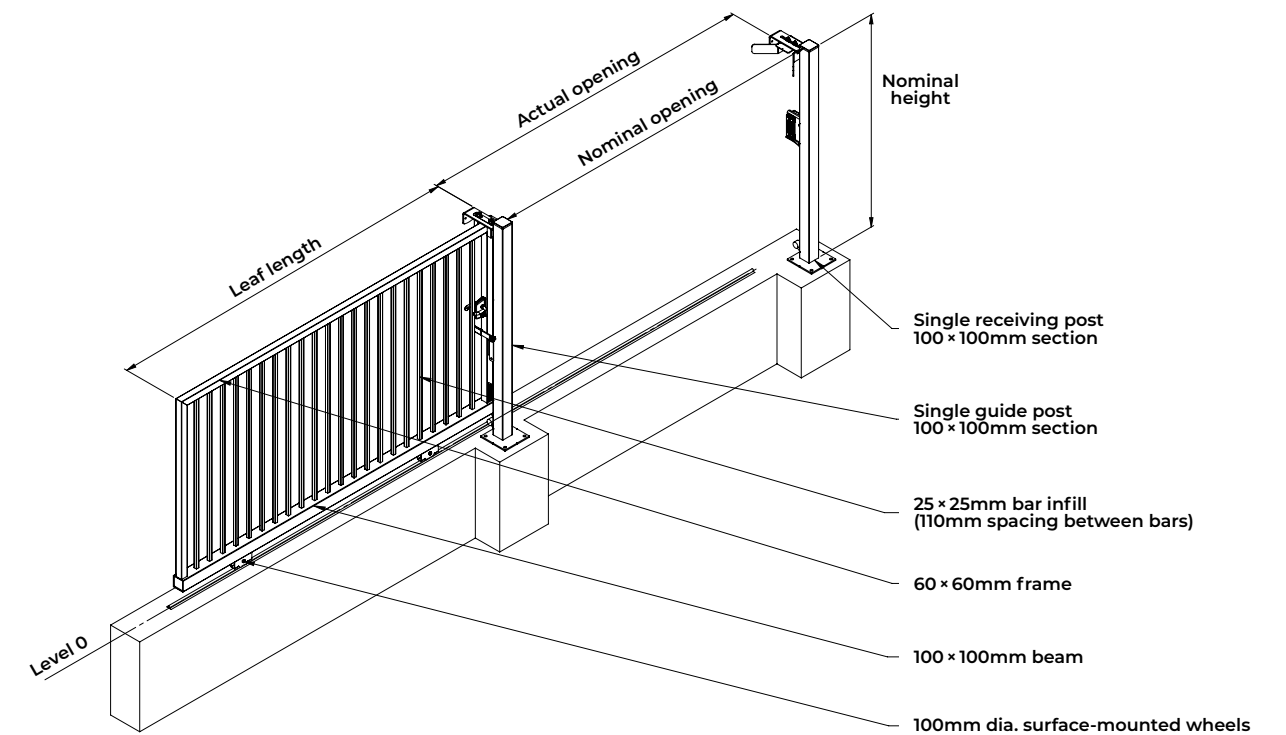
SERVICE SECTOR SITES



INDUSTRIAL & LOGISTICS SITES



TECHNICAL FEATURES



NOMINAL HEIGHT (m): 1.50 1.80 2.00	NOMINAL OPENING (m)				
	3.00	4.00	5.00	6.00	
Actual opening (m)	2.85	3.85	4.85	5.85	
Manually operated gate leaf length (m)	3.21	4.29	5.24	6.32	
Motorised gate leaf length (m)	4.12	5.12	6.12	7.12	

DRIVE MOTOR

- Travel speed 10m/min.
- Low-intensity usage, up to 60 cycles/day.
- Backup battery included.
- In the event of a security breach, for emergency procedures: key-operation (as an optional extra) and manual stoppage.

OPTIONS

- Motorised operation.
- Insert-mounted: allows civil engineering works to be prepared before gate installation.
- Fence fastening bracket.
- Ground marking.
- HGV cells.



Insert



Fence fastening bracket



Ground marking



HGV cells

CONTROL ACCESSORIES

SEE "ADDITIONAL EQUIPMENT" P. 220 - 221



An innovative, versatile gate that adapts to all requirements

INDUSTRIAL SLIDING GATES

ALLIX®

PUBLIC AREAS



SERVICE SECTOR SITES



INDUSTRIAL & LOGISTICS SITES



CHOICE AND STYLE

- Various infills matching our fencing.
- A design that is both modern and unobtrusive due to the surface-mounted LED lighting panels and flashing lights, built-in lock, concealed wiring and built-in safety edge radio transmission system.
- Operation: manual, motor-ready, and motorised.

EASY INSTALLATION

- Motorised version: preset and pre-wired in factory.
- The included embedding jig functions as an anchoring template.

SECURITY

- Manual version: lock with European cylinder.
- Motorised version equipped with all low-voltage accessories: detection cells, sensitive edges, flashing lights and area lighting.

FEATURES

- Standard infill: non-overstanding 25 x 25mm square bars, 110mm intervals
- Frame: 80 x 60mm
- Reinforcements: 60 x 60mm
- Beam section varies depending on the opening width
- Guide post section varies depending on the infill and dimensions
- Receiving post section: 100 x 100mm

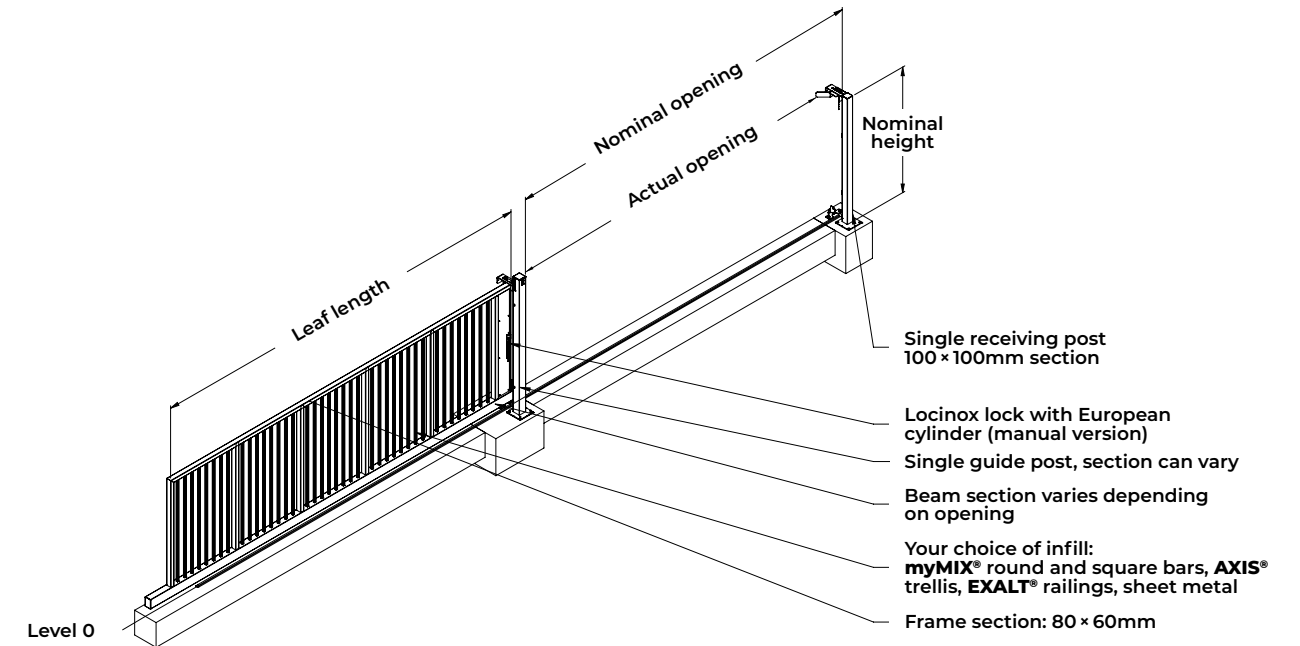
FINISH

- Zinc-epoxy + polyester coating.
- "Protect+" coating available in all colours for the most corrosive areas.

COLOURS

- **6 standard colours:** ●●●●●○
- 200 RAL colours.
- **Matt and textured finishes.**

TECHNICAL FEATURES



NOMINAL OPENING (m)	3.00	4.00	5.00	6.00	7.00	8.00	9.00	10.00	11.00	12.00
Actual opening	3.02	4.02	5.02	6.02	7.02	8.02	9.02	10.02	11.02	12.02
Leaf length, manual	3.46	4.41	5.35	6.43	7.51	8.46	9.40	10.48	11.29	12.51
Leaf length, manual EXALT® and sheet metal*	4.00	5.22	5.22	6.43	7.65	8.86	10.08	11.29	11.29	12.51
Leaf length, motorised	3.81	4.81	5.81	6.81	7.81	8.81	9.81	10.81	11.81	12.81
Leaf length, motorised EXALT® and sheet metal*	4.00	5.22	5.81	6.81	7.81	8.86	10.08	11.29	11.81	12.81
Beam section (mm)	150 x 100mm						150 x 150mm			
HEIGHT (m)	GUIDE POST SECTION (mm)									
1.00										
1.20										
1.50										
1.70										
1.80										
2.00										
2.20										
2.50										

* up to 8 metres for sheet metal.

OPTIONS

- Infills.
- Motorised or motor-ready operation.
- Change of beam section.
- Change of post section.
- Double post (guide or receiv. post).
- Control board cabinet.
- Control board column.
- Fence fastening bracket.
- Toothed rail.
- Ground marking.
- LGV detection cells.



Double post



Control board cabinet



Control board column



Fence fastening bracket



Toothed rail



Ground marking

CONTROL ACCESSORIES:

SEE "ADDITIONAL EQUIPMENT" P. 220 - 221



**INFILLS****myMIX® square railings**

- 25×25mm square bars.
- Overstanding or non-overstanding.
- Straight or angled at 45°.
- Flat cut.
- 80×60mm bracing rails for the version with overstanding bars.



Opening 6m, height 2m – Motorised operation – Control board cabinet option.

myMIX® round railings

- 20, 25 or 30mm dia. overstanding or non-overstanding round bars.
- Flat cut.
- 80×60mm bracing rails for the version with overstanding bars.



Opening 9m, height 2.50m – Motorised operation – Control board cabinet option.

EXALT® railings

- 25mm dia. round bars.
- Match the following models: **EXALT® Origin**, **Natura** and **Urba**.
- 80×60mm bracing rails.



Opening 7m, height 2m – Manual operation.

AXIS® wire mesh

- Right panel welded in the frame.
- 55×200mm mesh.
- 5mm dia. wire.



Opening 4.50m, height 2m - Manual operation.

Sheet metal

- Openings up to 8m.
- Guide post section varies depending on gate dimensions (120×120 or 150×150mm).
- 80×60mm bracing rails.
- 150×150mm beam.



Opening 5m, height 1.80m – Motorised operation.

DRIVE MOTOR

- Motor for leaves up to 1.5 tonnes (12m/min.).
- Slows at the start and end of the cycle (smooth operation without jolts).
- In the event of a power supply failure: runs on a 24 Vdc backup battery.



Built-in lock in the manual version.



LED surface-mounted area lighting and flashing lights.



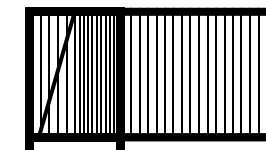
External rack for the motorised sliding gate.



Cantilever gates adapt seamlessly to new or existing sites and are very easy to use.

INDUSTRIAL CANTILEVER GATES

EASE-OF-USE, VARIETY, SECURITY AND ADAPTABILITY.



**INDUSTRIAL CANTILEVER GATES****ESPACE****HOUSING COMPLEXES****CHOICE**

- Available in the most commonly requested opening widths, heights and colours.
- Operation: manual and motorised.

SIMPLICITY

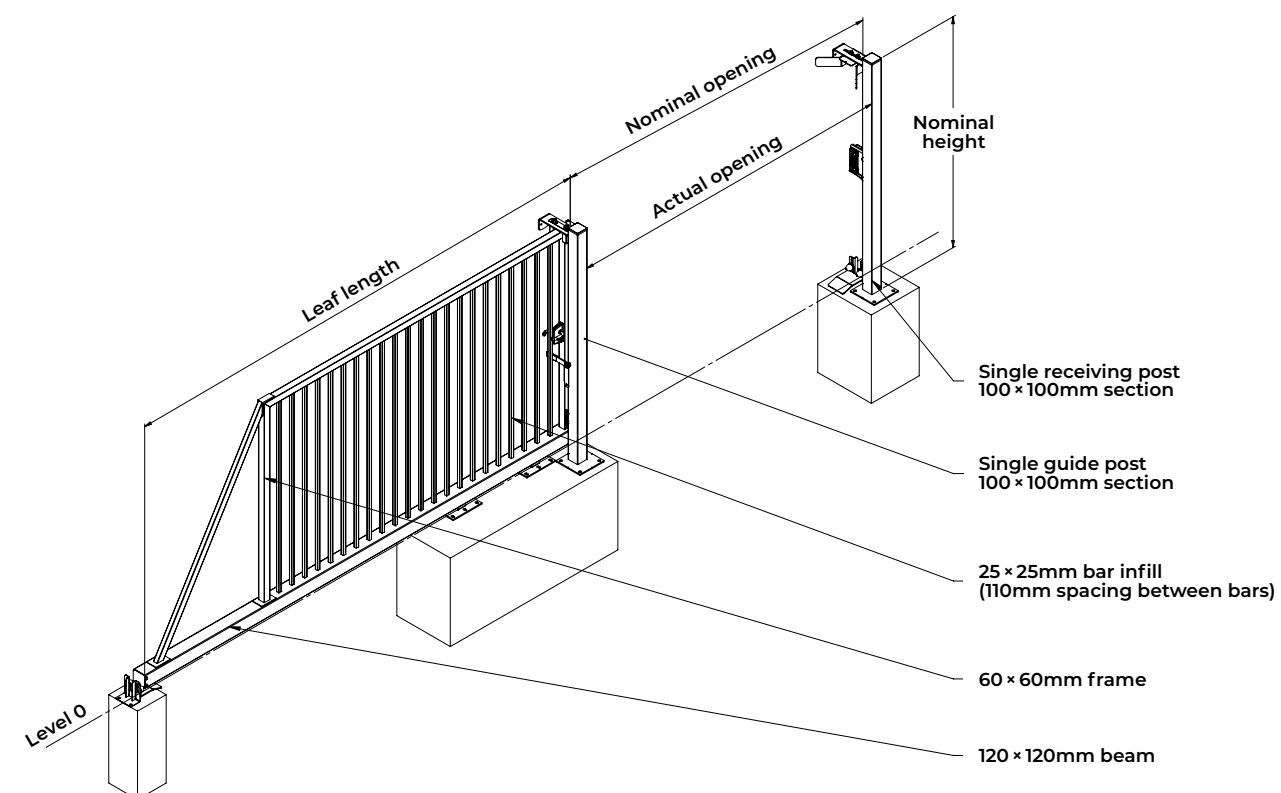
- Easy to use and handle.
- For the motorised version: pre-wiring and tests performed in factory.

SECURITY

- Manual version: lock with European cylinder.
- Motorised version equipped with all low-voltage and low-consumption accessories: detection cells, active and inactive sensitive edges, flashing lights and area lighting.
- Surface-mounted LED lighting panels and flashing lights, on paved ground.

SERVICE SECTOR SITES**INDUSTRIAL & LOGISTICS SITES****FEATURES**

- Infill: non-overstanding 25 x 25mm square bars, 110mm intervals
- Frame: 60 x 60mm
- Beam: 120 x 120mm
- Single 100 x 100mm guide & receiv. post
- Single 100 x 100mm receiving post
- Colours: Green 6005 ●, Grey 7016 ●, White 9010 ○

**TECHNICAL FEATURES**

NOMINAL HEIGHTS: 1.50m, 1.80m, 2m	NOMINAL OPENING (m)				
	3.00	4.00	5.00	6.00	
	Actual opening (m)	2.74	3.74	4.74	5.74
Leaf length (m)	4.48	5.58	6.98	8.38	

DRIVE MOTOR

- Low-intensity usage, up to 60 cycles/day.
- In the event of a security breach, for emergency procedures: key-operation (as an optional extra) and manual stoppage.

OPTIONS

- Motorised operation.
- Insert-mounted: allows civil engineering works to be prepared before gate installation.
- Fence fastening bracket.
- Ground marking.
- HGV cells.



Fence fastening bracket



Ground marking



HGV cells

CONTROL ACCESSORIES:

SEE "ADDITIONAL EQUIPMENT" P. 220 - 221



The innovative and customisable all-purpose gate

INDUSTRIAL CANTILEVER GATES

ALLIX®

PUBLIC AREAS



CHOICE AND STYLE

- Various infills matching our fencing.
- Operation: manual, motor-ready, and motorised.
- Sleek gate with no visible cables or racks.

SERVICE SECTOR SITES



SECURITY

To use:

- Clear opening with no ground-rail.
- A powerful engine withstanding external disturbance.
- Available as an optional extra, a control board column integrated into the guide rail secures the motor and the logic controller.
- An optional control board cabinet that encases and protects the motor and access controls.

INDUSTRIAL & LOGISTICS SITES



To install:

- The rack is welded into the beam and is therefore protected and does not require adjustment.
- Pre-wiring and tests performed in factory.

FEATURES

- Standard infill: non-overstanding 25 x 25mm square bars, 110mm intervals
- Frame: 80 x 60mm
- Reinforcements: 60 x 60mm
- Beam section varies depending on the opening width
- Guide post section varies depending on the infill and dimensions
- Receiving post section: 100 x 100mm

FINISH

- Zinc-epoxy + polyester coating.
- "Protect +" coating available in all colours for the most corrosive areas.

COLOURS

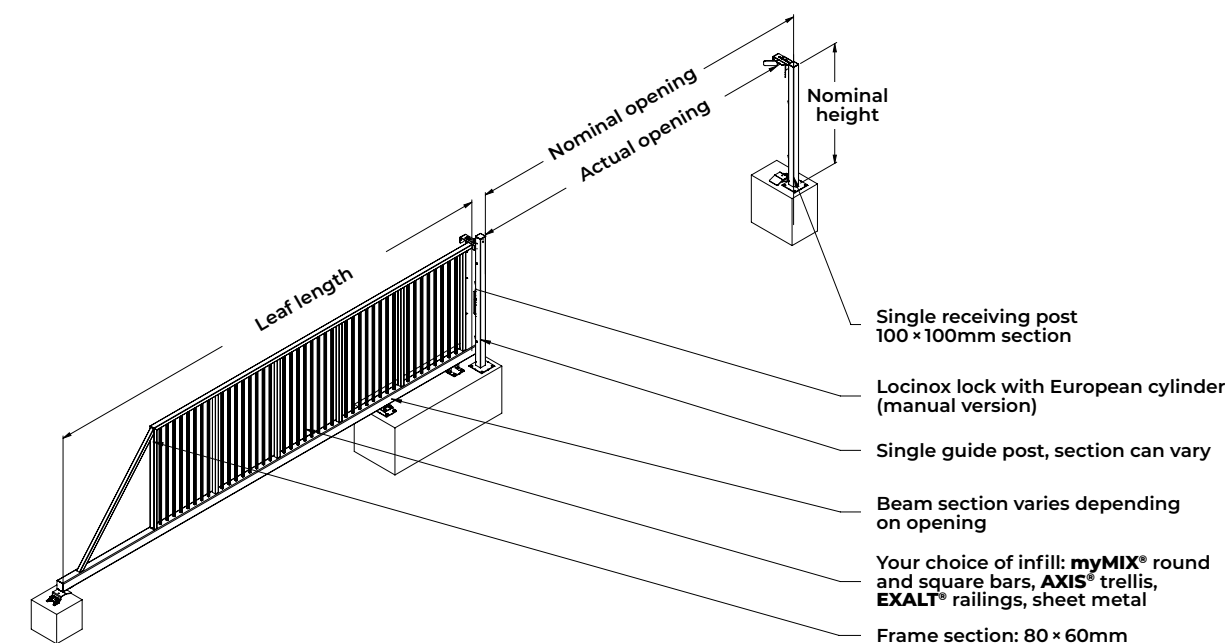
- **6 standard colours:** ●●●●●○
- 200 RAL colours.
- **Matt and textured finishes.**

CONTROL ACCESSORIES:

SEE "ADDITIONAL EQUIPMENT" P. 220 - 221



TECHNICAL FEATURES



NOMINAL OPENING (m)	3	4	5	6	7	8	9	10	
ACTUAL OPENING (m)	3.02	4.02	5.02	6.02	7.02	8.02	9.02	10.02	
Manually operated gate leaf length (m)	4.47	5.47	6.77	8.22	9.67	10.87	12.37	14.07	
Motorised gate leaf length (m)	4.47	5.47	6.77	8.22	9.67	10.87	12.37	14.07	
Beam section (mm)	150 x 120							220 x 160	

HEIGHTS (m)	GUIDE POST SECTION (mm)
1.00	100 x 100 x 3
1.20	
1.50	
1.70	120 x 120 x 3
1.80	
2.00	150 x 150 x 5
2.20	
2.50	

OPTIONS

- Infills.
- Motorised or motor-ready operation.
- Change of beam section.
- Change of post section.
- Double post (guide or receiv. post).
- Control board cabinet.
- Control board column.
- Fence fastening bracket.
- Toothed rail.
- Ground marking.



Double post



Control board cabinet



Control board column



Toothed rail



Ground marking



INFILLS

myMIX® square railings

- 25 x 25mm square bars.
- Overstanding or non-overstanding.
- Straight or angled at 45°.
- Flat cut.



Opening 8m, height 2.50m - Motorised operation.

myMIX® round railings

- 20, 25 or 30mm dia. overstanding or non-overstanding round bars.
- Flat cut.



Opening 6m, height 2m - Motorised operation.

EXALT® railings

- 25mm dia. round bars.
- Match the following 3 models: **EXALT® Origin, Natura** and **Urba**.
- 80 x 60mm bracing rails.



Opening 6m, height 2m - Manual operation.

AXIS® wire mesh

- Right panel welded in the frame.
- 55 x 200mm mesh.
- 5mm dia. wire.



Opening 4m, height 1.50m - Motorised operation.

Sheet metal

- Openings up to 7.50m.
- Heights up to 2.50m.
- Guide post section varies depending on gate dimensions (120 x 120 or 150 x 150mm).
- 80 x 60mm bracing rails.



Opening 5m, height 1.80m - Motorised operation.

More technical info at www.dirickx.fr



DRIVE MOTOR

ALLIX® motorisation

- 3 to 8m opening: motor for leaves up to 1.5 tonnes (12m/min).
- 9 to 10m opening: motor for leaves up to 3 tonnes (9m/min).
- Slows at the start and end of the cycle (smooth operation without jolts).
- In the event of a power supply failure: operated by a 24 VDC backup battery.



Beam section varies depending on opening width.



Adjustable triangularisation integrated into the beam.



ALLIX® cantilever gate / EXALT® Origin infill.



The cantilever gate is equipped with double posts and its motorised system is integrated into the control board column of the guiding post.



SPECIFIC & NON-STANDARD GATES

MOTORISED CANTILEVER GATE

SECURITY

- The control board column protects the system from being tampered with, bad weather conditions, and vandalism.

RELIABLE

- Strong, stylish structure.
- Robust motor for heavy-duty use of the gate.
- Module 4 steel rack and pinion drive system.

EASY TO INSTALL

- The column forms part of the structure limiting the risk of positioning errors.
- To facilitate the initial setup, all the components are wired and tested at the factory.
- Limited wiring: the motor system and control board cabinet are centralised in the guide post.

FEATURES

- 7 openings: 11 to 16m
- 2 heights: 2.00m and 2.50m
- Infill: 25 x 25mm square bars, non-overstanding
- Opening and closing speed: 10m/minute

FINISH

- Hot galvanised steel + polyester.

COLOURS

- 6 standard colours: ●●●●●○
- 200 RAL colours.

SERVICE SECTOR SITES



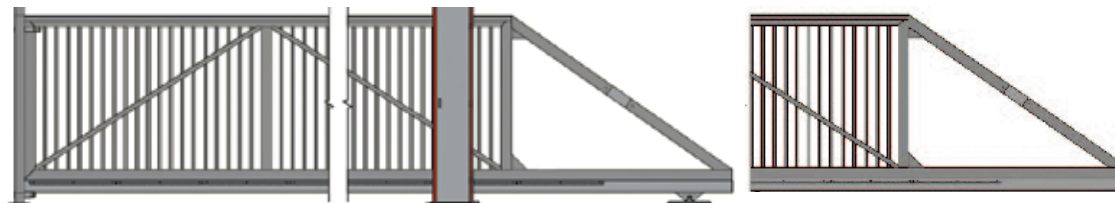
INDUSTRIAL & LOGISTICS SITES



SENSITIVE SITES



TECHNICAL FEATURES



NOMINAL OPENING (m)	10.00	11.00	12.00	13.00	14.00	15.00	16.00
ACTUAL OPENING (m)	9.8	10.8	11.8	12.8	13.8	14.8	15.8
Leaf length (m)	13.4	15.6	16.9	18.2	19.5	20.8	22.1

MOTOR

- Three-phase motor for heavy-duty use.
- Slows at the start and end of the cycle so that it operates smoothly.
- Disengagement is simple and user-friendly.



MOTOR POWER	1 KW
MOTOR VOLTAGE	(Three-phase motor) 230 Volts
SPEED VARIATION	Variation in frequency
PROTECTION CLASS	IP54
TEMPERATURE RANGE	- 20°C to +55°C



OPTIONS

- Intrusion protection: toothed rail.
- Monitoring - 3G remote control system.
- Fence fastening bracket.
- Inductive loop detector.
- Key switch.
- Traffic signal light.
- Lighting for the open entrance.



SPECIFIC REQUESTS:

OUR DESIGN OFFICE CAN HANDLE ANY CUSTOM GATE PROJECTS:

- Small and large configurations.
- 2 identical or different sized leaves positioned face to face.
- Telescopic gates.
- Different infills: perforated sheet metal, solid sheet metal, scalloped, etc.



Motorised cantilever gate, AXIS® D mesh infill and railing, equipped with a toothed rail. Complies with earthquake and ATEX deflagration protection standards.



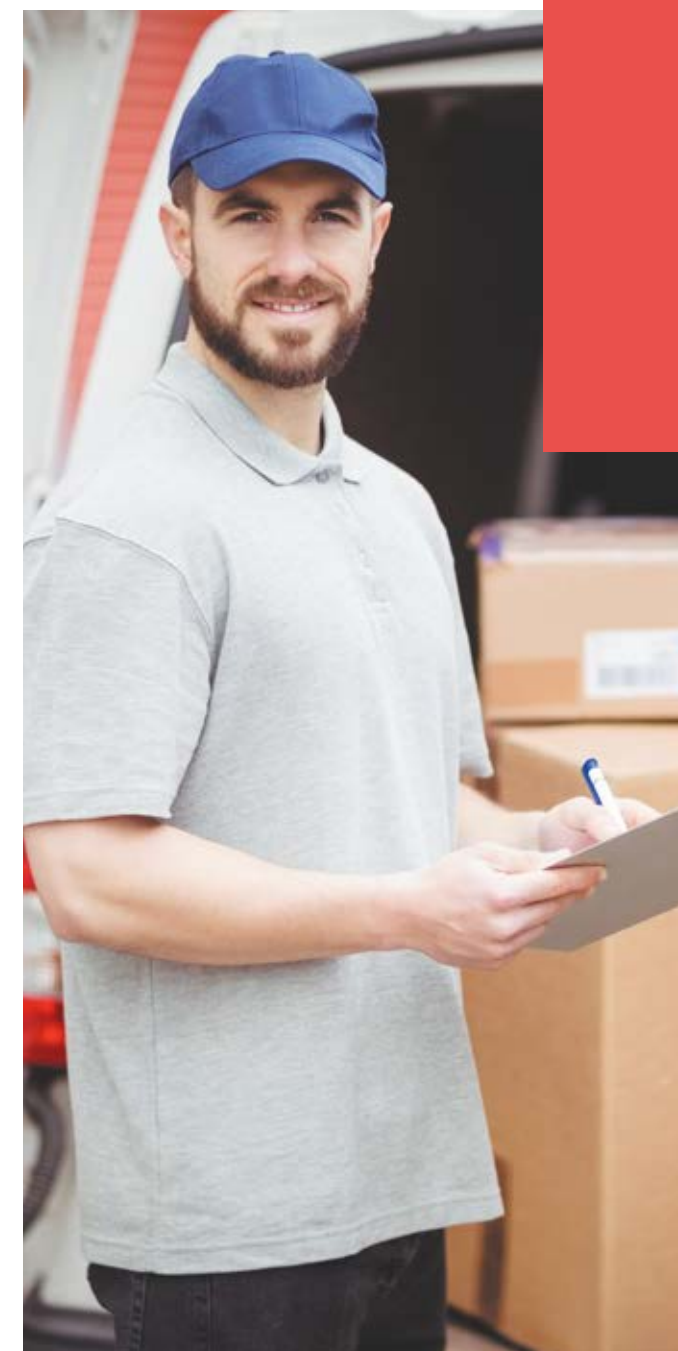
2 motorised cantilever gates mounted opposite each other. Length: 34m.



Telescopic motorised cantilever gate.

CONTROL ACCESSORIES:

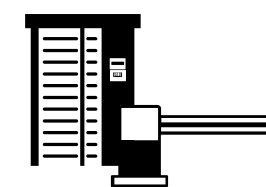
SEE "ADDITIONAL EQUIPMENT"
P. 220 - 221



When combined with gates and fencing, barriers and turnstiles provide a comprehensive perimeter protection solution which can be adapted to meet the requirements of each site.

BARRIERS & TURNSTILES

**EQUIPMENT FOR SECURING
ACCESS TO SITES AND
MANAGING FLOW.**





Secure site access while keeping traffic flowing

BARRIERS

BOOM BARRIERS

A WIDE RANGE

- 2 types of operation: manual and automatic.
- 6 models meeting the requirements of all types of sites, from housing complexes to the most sensitive sites.

MODULARITY AND SIMPLICITY

- Several configurations possible: presence detectors, signage, mobile or stationary fence, etc.
- Easy to install.
- Minimal maintenance.

QUALITY

- French manufacture.
- Aluminium or fibreglass boom.
- Electrophoretic coating.

SERVICE

- Pre-assembled in factory.
- User manual supplied with every boom barrier.
- Commissioning and maintenance contract.

FEATURES

- Terminal frame: Grey 7016 ●
- Hood: Grey 7035 ●

Suitable in all occasional access control applications for businesses and industrial sites

HOUSING COMPLEXES



PUBLIC AREAS



SERVICE SECTOR SITES



Ideal for controlling access to residential and collective housing sites

HOUSING COMPLEXES



PUBLIC AREAS



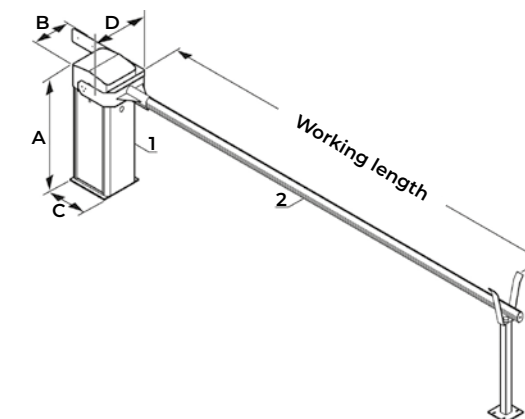
SERVICE SECTOR SITES



BLX MANUAL



ITEMS	COMPONENTS	REF.	DETAILS
1	Terminal frame	A	Height 1028mm
		B	300mm
		C	360mm
		D	Working width (including space for the arm): 430mm
2	Rail		Oval 84 × 57mm
	Working length		2.00m to 8.00m

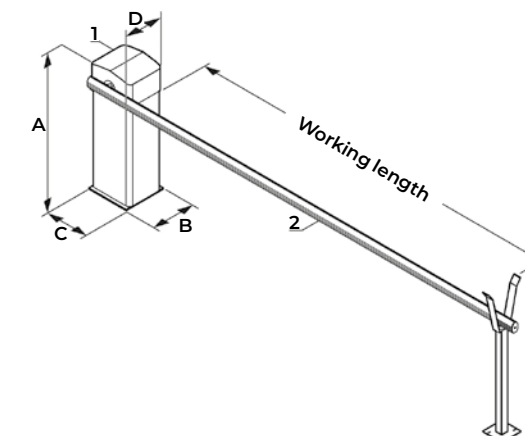


BLX 4

- Number of cycles per day: 9000.
- Average number of cycles between failures: 3 million.
- Average operating time between failures: 10,000 hours.
- Movement time: adjustable from 3 secs to 6 secs.
- Emergency operation: manual.
- Electric power supply: 230V single-phase.



ITEMS	COMPONENTS	REF.	DETAILS
1	Terminal frame	A	Height 1028mm
		B	300mm
		C	360mm
		D	Working width (including space for the arm): 385.7mm
2	Aluminium boom		Oval 84 × 57mm
	Boom length		2.00 to 4.00m
	Opening		1.70 to 3.70m





Designed for heavy-duty continuous use, BLX 6 is suitable for all applications due to its extensive range of accessories

BLX 6

- Also available as a hinged boom.
- Number of cycles per day: 15,000.
- Average number of cycles between failures: 5 million.
- Average operating time between failures: 15,000 hours.
- Movement time: adjustable from 1.5 to 9 secs.
- Emergency operation: manual.
- Electric power supply: 230V single-phase.



HOUSING COMPLEXES



PUBLIC AREAS



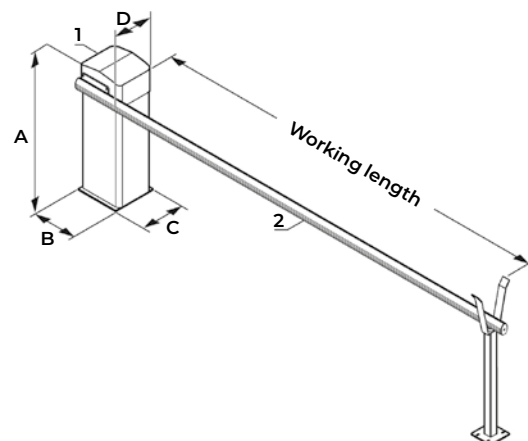
SERVICE SECTOR SITES



INDUSTRIAL & LOGISTICS SITES



ITEMS	COMPONENTS	REF.	DETAILS
1	Terminal frame	A	Height 1028mm
		B	300mm
		C	360mm
		D	Working width (including space for the arm): 410mm
2	Aluminium boom		Oval 84 x 57mm
	Boom length		2.00 to 6.00 m
	Opening		1.70 to 5.70 m



HOUSING COMPLEXES



PUBLIC AREAS



SERVICE SECTOR SITES



INDUSTRIAL & LOGISTICS SITES

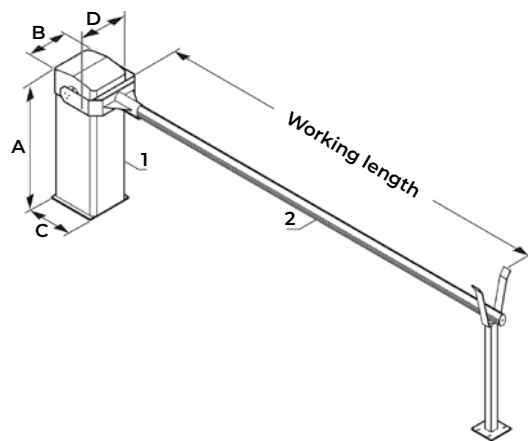


BLX 7

- Number of cycles per day: 10,000.
- Average number of cycles between failures: 5 million.
- Average operating time between failures: 15,000 hours.
- Movement time: adjustable from 2 to 9 secs.
- Emergency operation: manual or automatic up to 6.00m.
- Electric power supply: 230V single-phase.



ITEMS	COMPONENTS	REF.	DETAILS
1	Terminal frame	A	Height 1028mm
		B	300mm
		C	360mm
		D	Working width (including space for the arm): 430mm
2	Aluminium boom		Oval 84 x 57mm
	Boom length		2.00 to 7.00m
	Opening		



Suitable for sites with heavy traffic, it meets high security requirements

BLX 6 SAFETY

- Number of cycles per day: 10,000.
- Average number of cycles between failures: 3 million.
- Average operating time between failures: 15,000 hours.
- Movement time: adjustable from 2 to 9 secs.
- Emergency operation: manual or automatic.
- Electric power supply: 230V single-phase.



HOUSING COMPLEXES



PUBLIC AREAS



SERVICE SECTOR SITES



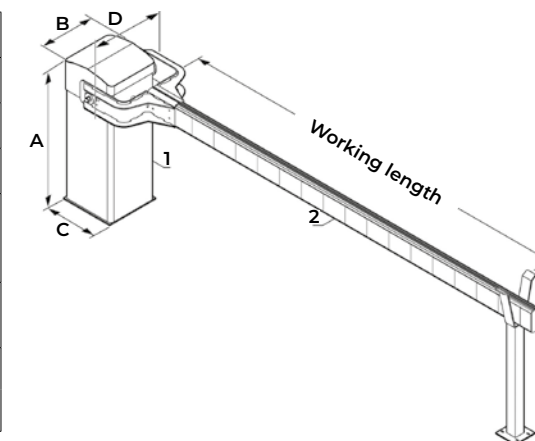
INDUSTRIAL & LOGISTICS SITES



SENSITIVE SITES



ITEMS	COMPONENTS	REF.	DETAILS
1	Terminal frame	A	Height 1125mm
		B	400mm
		C	420mm
		D	Working width (including space for the arm): 630mm
2	Straight or hinged aluminium boom		175 x 75mm
	Boom length		3.00 to 6.00m
	Opening		



Long-reach barrier designed for HGV access and wide entrances, which can withstand extreme environmental and operational conditions (wind speeds of up to 160km/h, rotation of terminal frame following impact, etc.)

BLX 10

- Number of cycles per day: 10,000.
- Average number of cycles between failures: 3 million.
- Average operating time between failures: 15,000 hours.
- Movement time: adjustable from 2 to 9 secs.
- Emergency operation: manual or automatic.
- Electric power supply: 230V single-phase.



PUBLIC AREAS



SERVICE SECTOR SITES



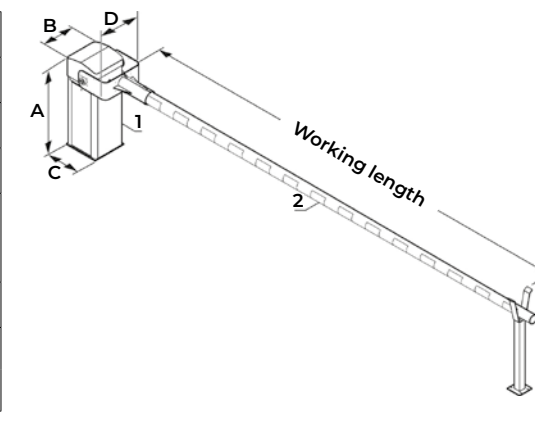
INDUSTRIAL & LOGISTICS SITES



SENSITIVE SITES



ITEMS	COMPONENTS	REF.	DETAILS
1	Terminal frame	A	Height 1125mm
		B	400mm
		C	420mm
		D	Working width (including space for the arm): 630mm
2	Fibreglass boom		140mm dia.
	Boom length		4.00 to 10.00m
	Opening		





Control and manage pedestrian flows, only allowing access to those authorised to enter and guaranteeing one-person access

TURNSTILES

FLUXI®

5 TURNSTILE MODELS

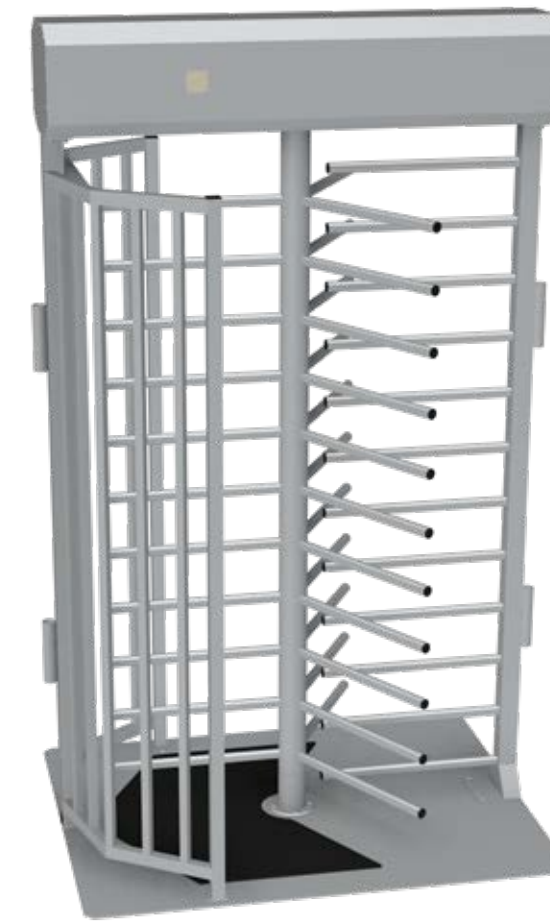
- **Fluxi basic mobile (BM)** turnstile.
A temporary security solution.
- **Fluxi single manual (SM) or automatic (SA)** turnstile.
A cost-effective turnstile.
- **Fluxi double manual (DM) or automatic (DA)** turnstile.
Bi-directional dual lane turnstile for controlling pedestrian access.
- **Fluxi pedestrian & bicycle (PB)** turnstile.
Turnstile designed for pedestrian and bicycle traffic.
- **Fluxi comfort turnstile for persons with reduced mobility (CPRM).**
Turnstile with integrated gate to provide access to persons with reduced mobility.

The BM turnstile can meet temporary security needs

INDUSTRIAL & LOGISTICS SITES



MOBILE SOLUTION



FLUXI® BASIC MOBILE (BM) TURNSTILE

SECURE ACCESS

- Fail-safe system used for the entrance/exit.
- Reliable and robust locking mechanism ensuring maximum durability.

EASY TO INSTALL

- Delivered on a steel base plate (1200 x 1500mm).

EASE OF USE

- 10-15 trips/min.
- Lighting with an integrated twilight sensor.

OPERATION

- Programmable logic control.
- Bi-directional access control.
- Maglocks, spring rotation mechanism.
- Information about whether the entrance is open for the user.
- In the event of power loss, the entrance will open (factory setting, can be reconfigured on site).

FEATURES

- Structure: hot galvanised steel, polyester paint
- Rotor: 30mm dia. galvanised steel arm resting on a rolling bearing in the lower part
- Casing: stainless steel with European cylinder integrating the control logic and mechanism
- Colours: Green 6005 ● or White 9010 ○

OVERALL HEIGHT	2538mm
OPENING HEIGHT	2210mm
TOTAL WIDTH	1500mm
OPENING WIDTH	650mm
DEPTH	1200mm
WEIGHT	305kg
HUMIDITY	10-80%
ARM	3 x 120°
STRUCTURE	Hot galvanised steel and RAL of the turnstile
ROTOR & CASING	Galvanised steel
POWER SUPPLY	Single-phase 230V – 50Hz
ENVIRONMENT	-25°C / +50°C
PROTECTION	IP 40



The SM turnstile ensures a smooth flow of traffic and optimal comfort

FLUXI® SINGLE MANUAL (SM) OR AUTOMATIC (SA) TURNSTILE

SECURE ACCESS

- Can be used as an entrance, exit or entrance/exit.
- Reliable and robust locking mechanism ensuring maximum durability.

EASE OF USE

- Easy to integrate all types of access control thanks to facade integrated into the structure.
- Optional transparent polycarbonate roof.
- Lighting with an integrated twilight sensor for greater comfort.
- Heavy-duty operation.

EASY TO INSTALL

- Pre-wiring for the power supply and controls in the lower part.
- Delivered on a frame that can be used as a jig.

OPERATION

- Programmable logic control.
- Bi-directional access control.
- Cleats are locked by maglocks, spring rotation mechanism.
- Possible to obtain information reports about the entrance via a monitoring system.
- Information about whether the entrance is open for the user (red X/green arrow).
- In the event of power loss, the entrance will open (factory setting, can be reconfigured on site).

FEATURES

- Structure: hot galvanised steel, polyester paint RAL 9010 or 6005
- Rotor: 40mm dia. stainless steel arm resting on a rolling bearing in the lower part
- Casing: stainless steel with European cylinder integrating the control logic and mechanism
- Colours: Green 6005 ● or White 9010 ○

OVERALL HEIGHT	2529mm
OPENING HEIGHT	2210mm
TOTAL WIDTH	1503mm
OPENING WIDTH	680mm
DEPTH	1260mm
WEIGHT	240kg
HUMIDITY	10-80%
ARM	3 × 120°
STRUCTURE	Hot galvanised steel and RAL of the turnstile
ROTOR & CASING	Stainless steel
POWER SUPPLY	Single-phase 230V – 50Hz 250W
ENVIRONMENT	-25°C / +50°C
PROTECTION	IP 40

SERVICE SECTOR SITES



INDUSTRIAL & LOGISTICS SITES



SENSITIVE SITES



The turnstile ensures a smooth flow of traffic and optimal comfort

FLUXI® DOUBLE MANUAL (DM) OR AUTOMATIC (DA) TURNSTILE

SECURE ACCESS

- Designed for sensitive sites with a high flow rate of users.
- Can be used as an entrance, exit or entrance/exit.
- Reliable and robust locking mechanism ensuring maximum durability.

EASE OF USE

- Easy to integrate all types of access control thanks to facade integrated into the structure.
- Optional transparent polycarbonate roof.
- Lighting with an integrated twilight sensor for greater comfort.
- Heavy-duty operation.

EASY TO INSTALL

- Pre-wiring for the power supply and controls in the lower part.
- Delivered on a frame that can be used as a jig.

OPERATION

- Programmable logic control.
- Bi-directional access control.
- Cleats are locked by maglocks, spring rotation mechanism.
- Possible to obtain information reports about the entrance via a monitoring system.
- Information about whether the entrance is open for the user (red X/green arrow).
- In the event of power loss, the entrance will open (factory setting, can be reconfigured on site).

FEATURES

- Structure: hot galvanised steel, polyester paint RAL 9010 or 6005
- Rotor: 40mm dia. stainless steel arm resting on a rolling bearing in the lower part
- Casing: stainless steel with European cylinder integrating the control logic and mechanism
- Colours: Green 6005 ● or White 9010 ○

OVERALL HEIGHT	2529mm
OPENING HEIGHT	2210mm
TOTAL WIDTH	2303mm
OPENING WIDTH	2 × 680mm
DEPTH	1370mm
WEIGHT	320kg
HUMIDITY	10-80%
ARM	3 × 120°
STRUCTURE	Hot galvanised steel and RAL of the turnstile
ROTOR & CASING	Stainless steel
POWER SUPPLY	Single-phase 230V – 50Hz 250W
ENVIRONMENT	-25°C / +50°C
PROTECTION	IP 40

SERVICE SECTOR SITES



INDUSTRIAL & LOGISTICS SITES



SENSITIVE SITES





The PB turnstile provides a smooth and comfortable passageway for pedestrians and bicyclists

FLUXI® PEDESTRIAN & BICYCLE (PB) TURNSTILE

SECURE ACCESS

- Can be used as an entrance, exit or entrance/exit.
- Reliable and robust locking mechanism ensuring maximum durability.

EASY TO INSTALL

- Lighting with an integrated twilight sensor for greater comfort.
- Pre-wiring for the power supply and controls in the lower part.
- Delivered on a frame that can be used as a jig.

GOOD FLOW RATE

- Heavy-duty operation.

OPERATION

- Programmable logic control.
- Bi-directional access control.
- Cleats are locked by maglocks, spring rotation mechanism.
- Possible to obtain information reports about the entrance via a monitoring system.
- Information about whether the entrance is open for the user (red X/green arrow).
- In the event of power loss, the entrance will open (factory setting, can be reconfigured on site).

FEATURES

- Structure: hot galvanised steel, polyester paint
- Rotor: 40mm dia. stainless steel arm resting on a rolling bearing in the lower part
- Casing: stainless steel with European cylinder integrating the control logic and mechanism
- Colours: Green 6005 ● or White 9010 ○

OVERALL HEIGHT	2530mm
OPENING HEIGHT	2210mm
TOTAL WIDTH	2352mm
OPENING WIDTH	Pedestrian: 680mm Bicycle: 650mm
DEPTH	1260mm
WEIGHT	320kg
HUMIDITY	10-80%
ARM	3 × 120°
STRUCTURE	Hot galvanised steel and RAL of the turnstile
ROTOR & CASING	Stainless steel
POWER SUPPLY	Single-phase 230V – 50Hz 250W
ENVIRONMENT	-25°C / +50°C
PROTECTION	IP 40

SERVICE SECTOR SITES



INDUSTRIAL & LOGISTICS SITES



SENSITIVE SITES



The CPRM turnstile provides a wide secure access point

FLUXI® COMFORT TURNSTILE FOR PERSONS WITH REDUCED MOBILITY (CPRM)

SECURE ACCESS

- Can be used as an entrance, exit or entrance/exit.
- Reliable and robust locking mechanism ensuring maximum durability.

EASY TO USE

- Lighting with an integrated twilight sensor for greater comfort.
- Pre-wiring for the power supply and controls in the lower part.
- Delivered on a frame that can be used as a jig.

GOOD FLOW RATE

- Heavy-duty operation.

OPERATION

- Programmable logic control.
- Each rotor is driven by an individual motor/mechanism.
- Bi-directional access control.
- Cleats are locked by maglocks, spring rotation mechanism.
- Possible to obtain information reports about the entrance via a monitoring system.
- Information about whether the entrance is open for the user (red X/green arrow).
- In the event of power loss, the entrance will open (factory setting, can be reconfigured on site).

FEATURES

- Structure: hot galvanised steel, polyester paint
- Rotor: 40mm dia. stainless steel arm resting on a rolling bearing in the lower part
- Casing: stainless steel with European cylinder integrating the control logic and mechanism
- Colours: Green 6005 ● or White 9010 ○
- Other colours: 200 RAL colours, with surcharge

OVERALL HEIGHT	2384mm
OPENING HEIGHT	2003mm
TOTAL WIDTH	3370mm
OPENING WIDTH	1270mm
DEPTH	1782mm
WEIGHT	405kg
HUMIDITY	10-80%
ARM	3 × 120°
STRUCTURE	Hot galvanised steel and RAL of the turnstile
ROTOR & CASING	Stainless steel
POWER SUPPLY	Single-phase 230V – 50Hz 250W
ENVIRONMENT	-25°C / +50°C
PROTECTION	IP 40

SERVICE SECTOR SITES

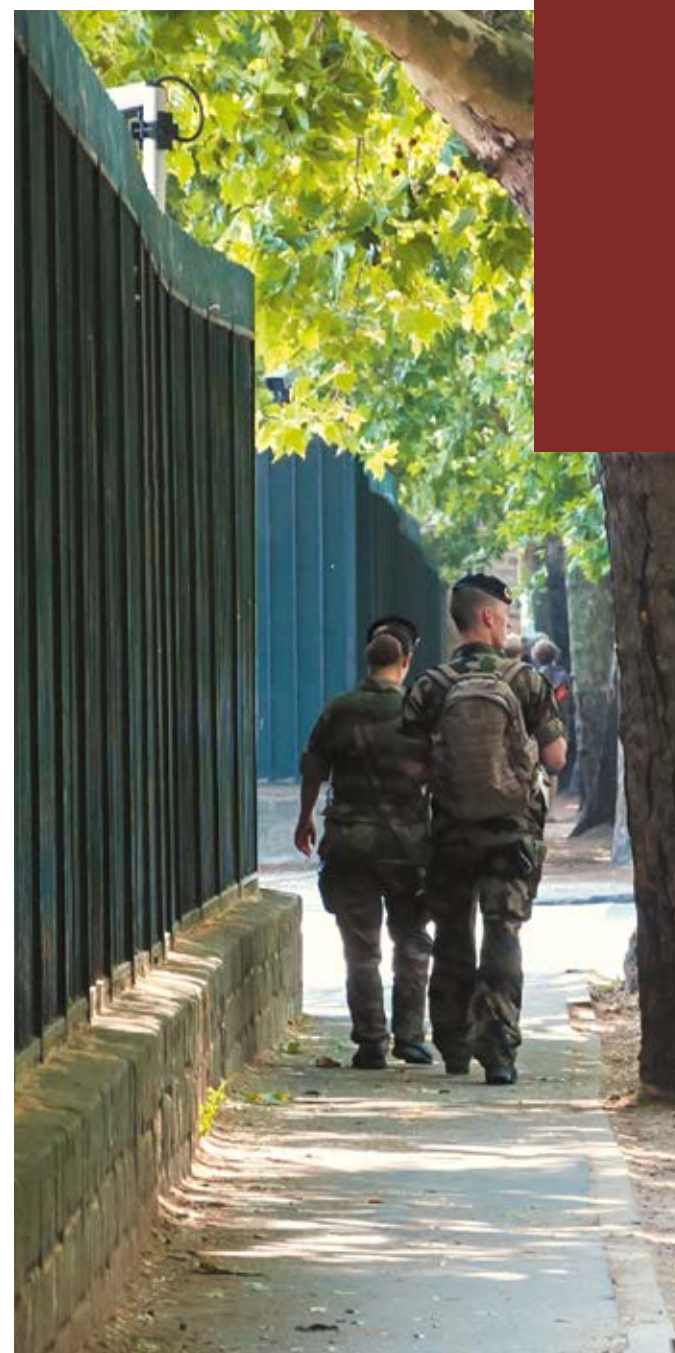
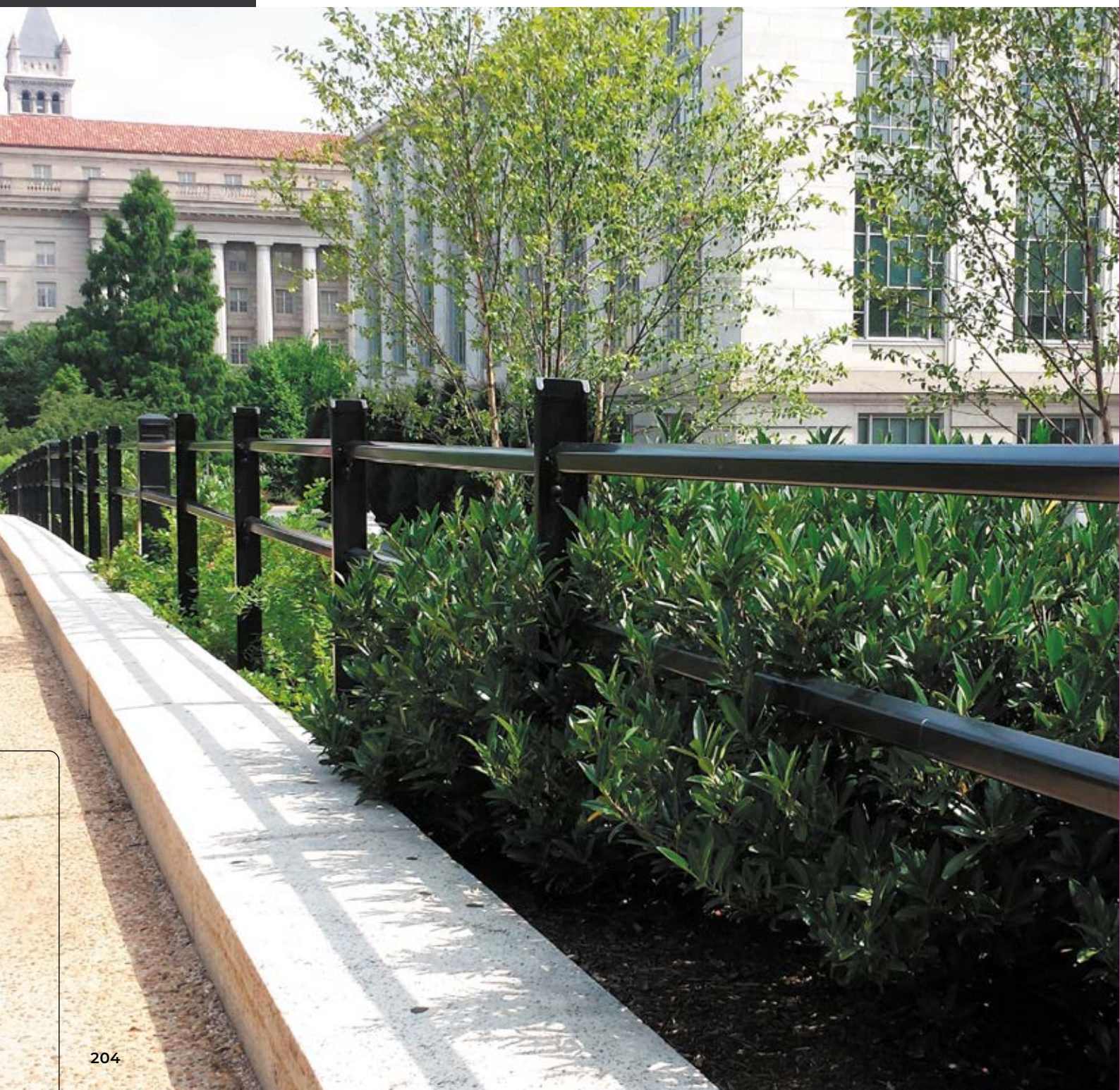


INDUSTRIAL & LOGISTICS SITES



SENSITIVE SITES

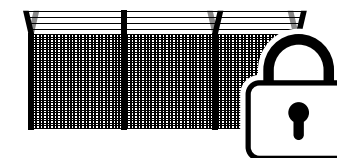




Comprehensive solutions for user safety and to meet the requirements of sites needing a high level of security.

SECURITY SOLUTIONS

HIGH SECURITY EQUIPMENT FOR SENSITIVE AREAS





DIRICKX ANTI-CORROSION GUARANTEE 10 YEARS POLYESTER DIRICKX ANTI-CORROSION GUARANTEE PROTECT+

For the protection and security of high-risk sites

SECURITY FENCES & POSTS

EXTENSION ARMS

INDUSTRIAL & LOGISTICS SITES



SENSITIVE SITES



SECURITY

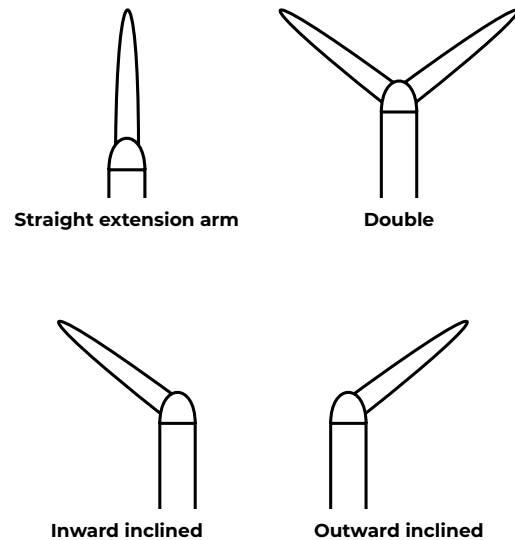
- Secure and defensive system.
- Deters intruders.
- Raises the fence.

MODULARITY

- Can be adapted to an existing fence.
- Equipped with 1 or 2 inclined extension arms.
- Allows for 2 to 4 rows of RONCES barbed wire, TIGRE/CONCERTINA network or AXIS® D panels to be installed (see p. 66 - 67).

FINISH

- Aluminium to standard NF EN 1706 and high adherence plastic coating.
- 200 RAL colours, same shade and finish as the post.
- Option of matt and textured finishes.



POSSIBLE CONFIGURATIONS



Extension arms for UNIVERS® post

- 2 to 4 rows.
- Installation with:
 - RONCES barbed wire,
 - TIGRE/CONCERTINA.



Extension arms for AXIS® post

- 3 to 4 rows.
- Installation with:
 - RONCES barbed wire,
 - TIGRE/CONCERTINA,
 - AXIS® D panel.



Extension arms for AXOR® post

- 3 to 4 rows.
- Installation with:
 - RONCES barbed wire,
 - TIGRE/CONCERTINA.



Extension arms for AXYLE® post

- 3 to 4 rows.
- Installation with:
 - RONCES barbed wire,
 - TIGRE/CONCERTINA,
 - AXIS® D panel.

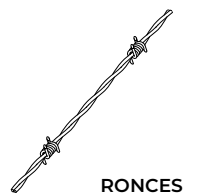
EQUIPMENT FOR EXTENSION ARMS

Installation with RONCES barbed wire

- 2 twisted wires with 4-pronged defensive spikes at 10cm intervals.
- 2 versions:
 - The wire (STRONGO® PLAZIAL hard steel barbed wire) is very resistant to breakage,
 - Alternating twists block the spikes and stop them from slipping (RONCE PROTECTO® barbed wire).

A pair of fencing pliers is required to attach the barbed wire to the extension arms using staples. See the installation guide.

Other accessories required: spacers, caps, tension wire and strainers.

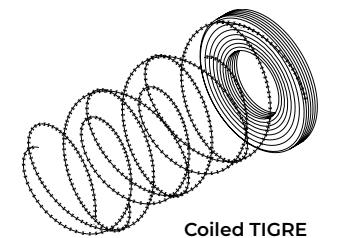


RONCES barbed wire

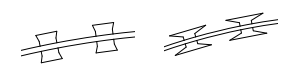
Installation with TIGRE/CONCERTINA

- Deterrent and delaying protective blade system for high-security fences.
- The blades are designed so that they will pierce, grip and cut.
- Manufactured from a strip studded with sharp spikes on a hard steel or stainless steel wire blade.
- 2 configurations:
 - In a wire coil, for the extension arms,
 - Flat, to be installed along the fencing, as a complement to the extension arms.
- For enhanced security:
 - The TIGRE network can also be installed on the ground,
 - The flat TIGRE is to be installed on panels.
- For single extension arms: install 1 row of barbed wire at the top and bottom.
- For double extension arms: install 1 row of barbed wire at the top.

A pair of fencing pliers is required to attach the barbed wire to the extension arms using staples. A tension bar must be fitted inside the spires.



Coiled TIGRE



Flat TIGRE: short tip/bayonet

Installation with AXIS® D panels

- Allows fence height and security to be increased.
- 40cm high panel.

To install extension arms with AXIS® infill, double the number of posts in the angles.

Please see the instruction manual for the unique aspects of each piece of equipment.



DIRICKX
ANTI-CORROSION
GUARANTEE
10 YEARS
POLYESTER

Rigid, high security, deterrent, anti-intrusion fencing

SECURITY FENCES & POSTS

ATLAS

INDUSTRIAL & LOGISTICS SITES



SENSITIVE SITES



CHOICE

- 2 types of panel:
 - Vertical mesh,
 - Horizontal mesh.
- 2 types of post:
 - Installation of 2 overlapping panels using covering strips and break-away screws,
 - The panels are attached to the rear of the groove on the post by means of an angled profile and stainless steel bolts.

SECURITY

- Small rectangular mesh preventing objects from being passed through the panels and providing no anchor point or hold for hands. The vertical mesh panel, unique in the market, offers no holds, to prevent climbing.
- Welded railing panels, forming a single unit up to 6m in height (horizontal mesh) or 3m (vertical mesh). It is possible to superimpose 3 panels (up to 6m).
- Wide lateral vision ensuring compatibility with surveillance cameras.
- Break-away screws which are difficult to remove.

FEATURES

- Flat (horizontal mesh) and undulated panel (vertical mesh)
- Panel width: 2.25m
- Mesh: 76.20 x 12.70mm
- Wire dia.: 4mm
- With embedded post or base-plated
- Post section variable depending on fence height
- Colours: Green 6005 ●

- Coordinated options for enhanced security.
 - Extension arms, equipped with panels, from the TIGRE/CONCERTINA or RONCES barbed wire network,
 - 4-row serrated rail.
 - Earthing.

FINISH

- Zinc-epoxy + polyester coating.

CUSTOMISATION

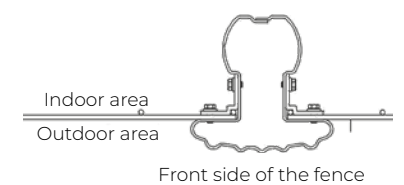
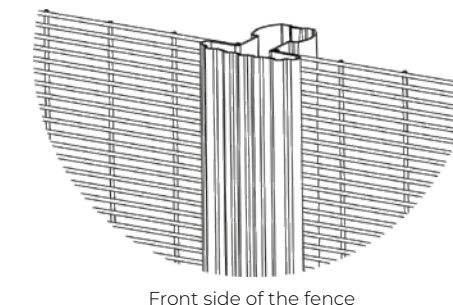
- Upon assessment.

TECHNICAL FEATURES

Panels superimposed with rectangular post



Panels slotted, using a corner plate, into the groove on the post



POSTS RECOMMENDED BASED ON FENCE HEIGHTS & INSTALLATION AREAS

PANEL HEIGHT (m)	POST LENGTH (m)	WIND LOAD ENVIRONMENT* (based on the French code NV65)														
		Environment 1			Environment 2			Environment 3			Environment 4			Environment 5		
		P	N	E	P	N	E	P	N	E	P	N	E	P	N	E
2.00	2.50	80														
2.50	3.00															
3.00	3.70	120														
3.50	4.20															
4.00	5.00	150														

P: protected site
N: normal site
E: exposed site

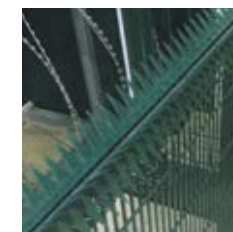
Post section:

80 x 60 x 3mm
120 x 60 x 3mm
150 x 100 x 3mm

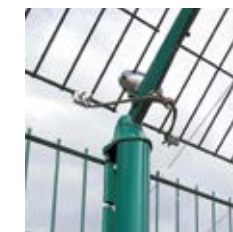
OPTIONS



Extension arms



Toothed rail



Earthing



To protect and provide security to traffic and gathering areas

SECURITY FENCES & POSTS

ANTI-RAM CRASH BARRIER

DIRICKX distributes STALWART®, security products by AMERISTAR

PUBLIC AREAS



SENSITIVE SITES



SECURE AND INCONSPICUOUS

- Anti-ram barrier and post.
- Very resilient due to a cable encased in the bracing rail facing inwards towards the site.
- Possible to run other cables inside the rail (video, fibre optic, etc.) eliminating the need for trenches.
- The barrier blends in attractively with all types of settings, providing reassurance without prompting anxiety.

COORDINATION

- Can be installed in addition to an existing fence in order to secure a sensitive perimeter or area.

CHOICE

- Barriers with 2 or 3 rails, cut to measure.

EASY TO HANDLE AND INSTALL

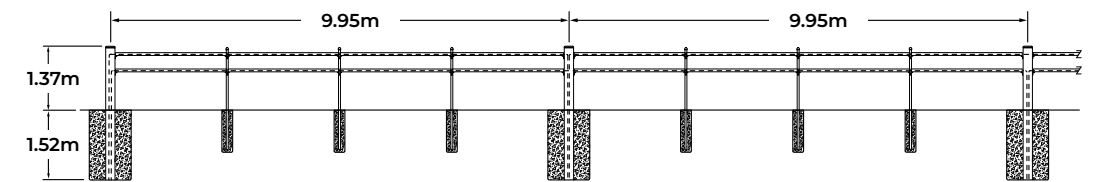
- Supplied in the kit: post + rail + cable.

FEATURES

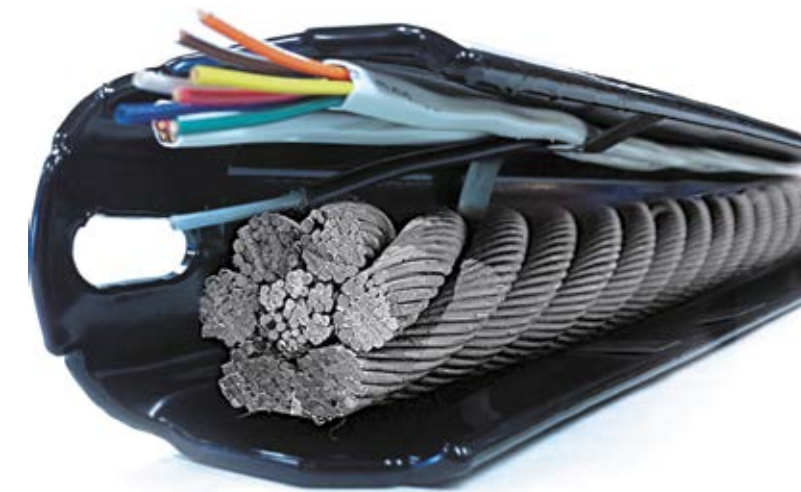
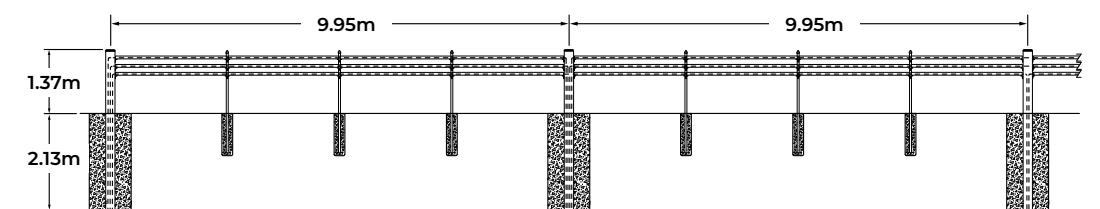
- Made of resilient, galvanised steel
- Reinforced with integrated steel cables
- Meets BSI PAS 68 European standards and satisfies American standards:
 - K8: equivalent of stopping a 7500kg vehicle travelling at 65km/h
 - K12: equivalent of stopping a 7500kg vehicle travelling at 80km/h
- Colour: Black 9005 ●

TECHNICAL FEATURES

K8 Class



K12 Class



The cable is housed in the bracing rail. Other cables can also be run through the rail.





Gate with articulated leaves, meeting both space and speed of opening requirements

QUICK-FOLDING GATE **SPEEDIX**

FAST OPENING AND INTENSIVE USE

- Opens/closes extremely quickly: 1m per second on average.

REDUCED SIZE

- Optimisation of opening width: in open position, the leaves are concealed behind the posts.
- Without guidance or stops on the ground.

SECURITY

- Sturdy structure and accessories (guide arms, pivots, hinge) ensure long-term operation.
- A 540kg maglock ensures it is closed securely.
- Gate tested under extreme weather conditions.

- Wind resistant: Class 4 for access points of up to 6m (Class 2 for anything larger).

EASY TO INSTALL

- High-quality accessories, delivered mounted and wired.
- Once the foundations have been laid, the gate can be installed in 3 hours.
- The control unit offers the option of integrating different access controls.

FEATURES

- Openings: of 4m to 12m
- 3 heights: 2.00, 2.20 and 2.50m
- Infill: non-overstanding square bars, 100mm intervals
- Frame section varies
- Post section: 160 x 160mm or 200 x 200mm, base-plated
- Hot galvanised steel (EN ISO1461)
- Aluminium leaves

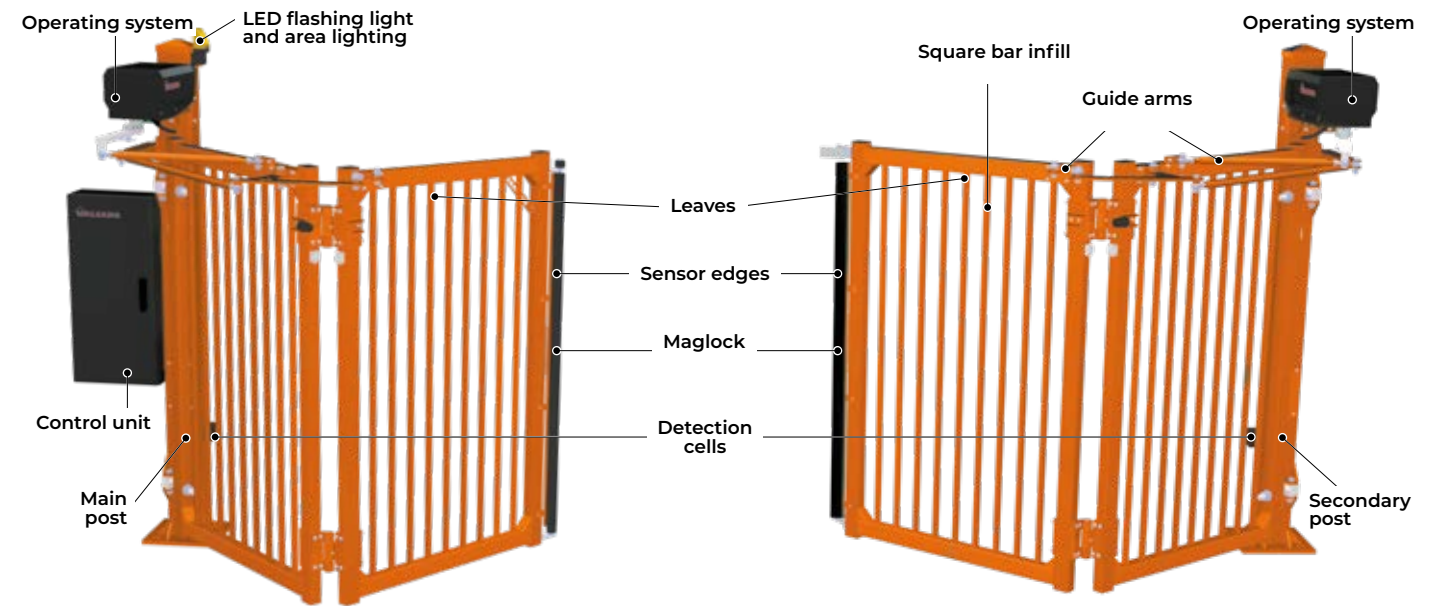
ADAPTABLE AND FLEXIBLE

- Single- or double-leaf gate.
- The 2 leaves can operate independently of each other.
- Particularly suitable for logistics platforms, cargo areas, penitentiary centres, embassies, military sites, as well as for administrative offices and less sensitive sites where the size of a traditional gate is problematic.

CUSTOMISATION

- 6 standard colours: ●●●●●○

TECHNICAL FEATURES



MOTOR PACK	LEAVES	POSTS	OPENING WIDTH (m)	POST DIMENSIONS (mm)	FRAME (mm)	REINFORCEMENT (mm)	INFILL (mm)
Standard			4	160×160×5	80×60×2		25×25
			5				
			6				
Medium	Aluminium	Hot galvanised	7	200×200×5	80×60×3		25×25
			8				
			9				
Bar			10	200×200×5	100×100×4	80×80×4	30×30
			11				
			12				

INCLUDED

- 2 sensor edges.
- 2 sets of detection cells (light and heavy vehicles).
- 1 orange flashing light, with LEDs.
- 1 area lighting system.
- 1 maglock in middle of leaf.

DRIVE MOTOR

- 3 motors according to opening.
- Three-phase 380.
- 230V power supply.
- Built-in variator.
- Intensive use.



OPTIONS

- 1 set of detection cells on separate bollards.
- Magnetic loop.
- Traffic signal light.
- Toothed rail.
- Extension arms.
- Inserts.
- Ground marking.
- Remote control.
- Mini-receiver.
- Antenna.

CONTROL ACCESSORIES:

see "additional equipment" p. 220 - 221

CIVIL ENGINEERING PLANS ON REQUEST

Scan this QR code to watch the Speedix presentation video

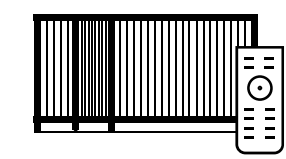


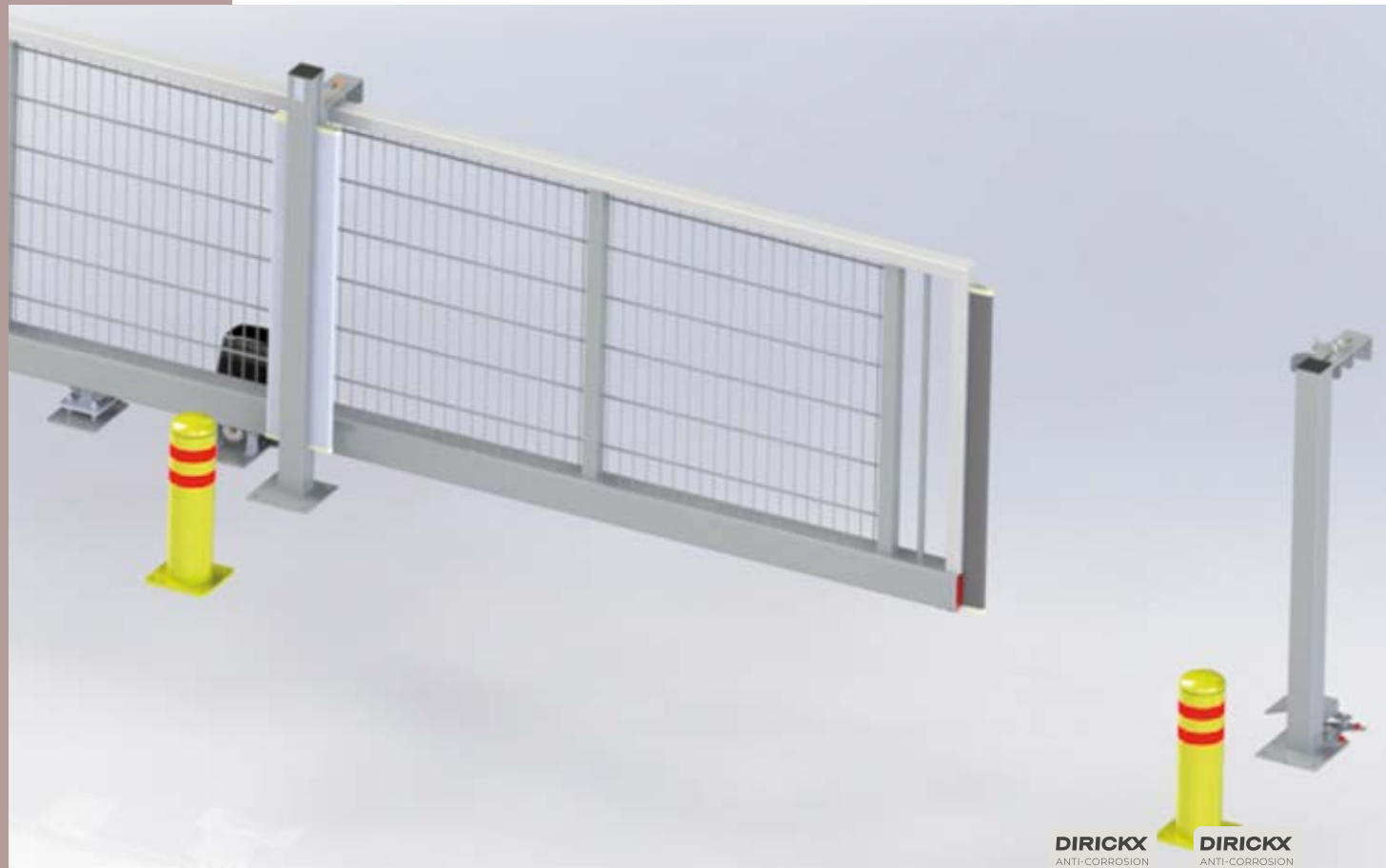


A range of accessories compatible with our gates, turnstiles and boom barriers.

ACCESS CONTROL

EQUIPMENT FOR MANAGING SITE ENTRANCES AND EXITS.





DIRICKX
ANTI-CORROSION
GUARANTEE
10 YEARS
POLYESTER

DIRICKX
ANTI-CORROSION
GUARANTEE
PROTECT+

Ideal for protecting your gate posts from potentially damaging manoeuvres

PROTECTIVE POST

FIX

PROTECTION

- Protects equipment in areas where vehicles are manoeuvring:
 - access (gates, barriers, turnstiles),
 - backspaces,
 - machines,
 - buildings.

CHOICE AND SECURITY

- Embedded or base-plated.
- Several colours that either match the gate or stand out to alert drivers to take due care.

FINISH

- Galvanised or painted (epoxy-polyester).

FEATURES

- 2 to 4 red reflective stripes depending on the height
- Dia.: 168mm
- Welded domed cap
- Colours: Traffic Yellow 1023 ●, Green 6005 ●, Grey 7035 ●, White 9010 ○, Galvanised ●

PUBLIC AREAS



INDUSTRIAL & LOGISTICS SITES



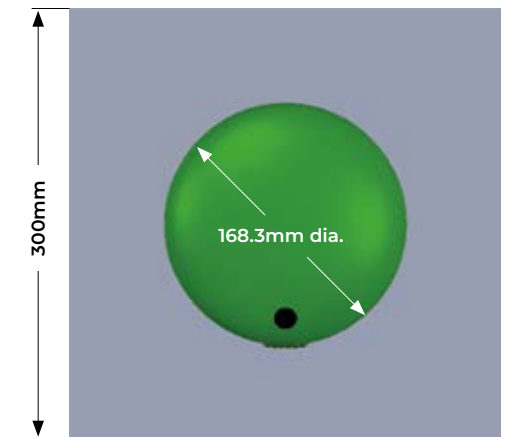
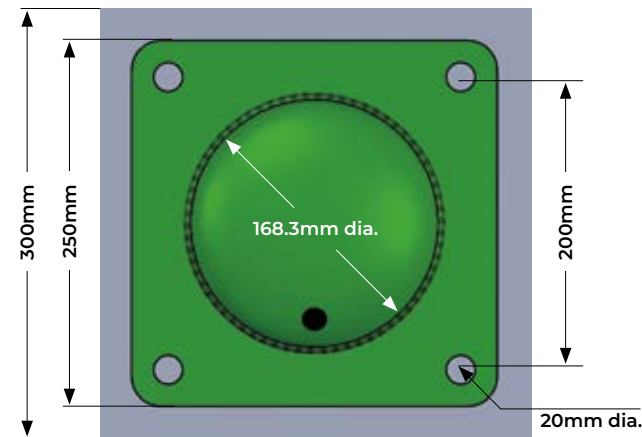
TECHNICAL FEATURES

Base-plated

ABOVE GROUND HT./ POST LENGTH	0.60m	1.50m	2.00m
MASS	14kg	29kg	37kg

Embedded

ABOVE GROUND HEIGHT	0.60m	1.50m	2.00m
POST LENGTH	1.10m	2.00m	2.50m
MASS	19kg	33kg	41kg



COLOURS



White 9010 ○



Green 6005 ●



Grey 7035 ●



Traffic Yellow 1023 ●



Galvanised ●



Accessories for gates, turnstiles and boom barriers

ACCESS CONTROL

ADDITIONAL EQUIPMENT

DIRICKX offers a wide range of equipment that can be used to manage people entering and leaving your site.

GUIDANCE ON CHOOSING CONTROL DEVICES

- > **What type of control device do you need?**
 - Stationary: near the point of access,
 - Mobile: to provide to individual users.
- > **How many users do you have?**
- > **What do you need?**
 - To authorise people entering and leaving,
 - To monitor people entering and leaving: organisation, statistics, etc.



DIFFERENT TYPES OF CONTROL DEVICES



KEY SWITCH
Opening and closing are activated by turning a key.



GSM ACCESS CONTROL WITH ANNUAL PROGRAMMING CLOCK
Allows you to secure, monitor and manage all access remotely and in real time.



WEEKLY PROGRAMMING CLOCK
Allows you to set site opening and closing times.



INTERCOM USING TELEPHONE NETWORKS
Opening is controlled by a button on residents' landlines or mobile phones.



VIGIK SYSTEM
Opening is controlled by reading individual badges.



REMOTE CONTROL
Individual accessory controlling opening and closing of 1 or more opening systems.



VIDEO INTERCOM
Allows you to identify visitors before opening. This system is compliant with French law on accessibility for disabled persons.



INTERCOM
Someone must be present to approve access to the site.



BUTTON BOX
Opening and closing are activated by pressing a button. 1 to 4 buttons depending on requirements.

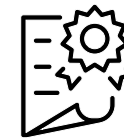


MAGNETIC LOOP
An embedded device enabling any vehicle entering the detection area to automatically trigger opening.

DIRICKX offers commercial guarantees that are applied based on the products, their finishes, and the environments in which they are installed.

GUARANTEES, STANDARDS & REGULATIONS

THE DIRICKX QUALITY POLICY IS BASED ON COMPLIANCE WITH THE STANDARDS IN FORCE.





DIRICKX PROFESSIONAL GUARANTEES & HOW THEY ARE APPLIED

ANTI-CORROSION GUARANTEES

In addition to the statutory guarantees set out in the general terms and conditions of sale, DIRICKX offers 7 types of commercial anti-corrosion guarantees that are applicable depending on the product and finish (PVC, aluminium, polyester) and on recommendations concerning use (installation category and maintenance).

PVC FINISH



- High adherence plastic coating by fluidisation technology (PVC coating) is a manufacturing process that ensures that the PVC adheres to the steel wire. It guarantees maximum corrosion resistance.

ALUMINIUM FINISH



- Aluminium provides very high corrosion resistance.
- It is particularly recommended for industrial or maritime atmospheres.



POLYESTER FINISH



- The POLYESTER finish offers outstanding resistance to UV and adverse weather conditions and provides a very attractive gloss finish.
- Relevant environments according to standard ISO 12944-2: C1 (very low), C2 (low), C3 (medium).
- Products installed in C4 (high), C5 (high) and C5 (very high) environments are not covered.



PROTECT + OPTION

For polyester-coated products installed in C4 (high), C5 (high) and C5 (very high) environments, the **Protect+** option provides a 5- or 10-year anti-corrosion guarantee depending on the product and category.

CATEGORIES & DEGREES OF CORROSIVITY

The anti-corrosion guarantee only covers rust-related faults. It is based on the European standard ISO 12944, which defines precise corrosivity categories.

CATEGORY	TYPICAL ENVIRONMENTS IN A TEMPERATE CLIMATE
C1 very low	Interior applications only
C2 low	Low pollution atmospheres - rural areas
C3 medium	Urban and industrial atmospheres with moderate pollution

CATEGORY	TYPICAL ENVIRONMENTS IN A TEMPERATE CLIMATE	DISTANCE BETWEEN THE PRODUCTS AND THE SEA
C4 high	Industrial atmospheres with high sulphur dioxide pollution or coastal communities	Between 3 and 20km
C5 high	Aggressive industrial atmospheres (e.g.chemical industries) or atmospheres in coastal or maritime areas	Between 500m and 3km
C5 very high		< 500m

Tolerances for the anti-corrosion guarantee are defined based on ISO 4628-3 for the degree of rusting grade and ISO 4628-2 for the degree of blistering.

PERIOD	DEGREE OF RUSTING	DEGREE OF BLISTERING
1 st to 5 th year	< R12	< Degree 3
6 th to 10 th year	< R13	< Degree 3

While DIRICKX endeavours to improve its products' reliability and durability, natural phenomena or phenomena related to the immediate environment may affect products' appearance, including their colour.

The terms of guarantee are an integral part of DIRICKX INDUSTRIES general conditions of sale.

LENGTH OF ANTI-CORROSION GUARANTEES BY PRODUCT

PRODUCTS		ENVIRONMENTS UNDER THE STANDARD					
		C1 very low	C2 low	C3 medium	C4 high	C5 high	C5 very high
WOVEN WIRE FENCING	Garden Edging	10 YEARS PVC	10 YEARS PVC	10 YEARS PVC	10 YEARS PVC	10 YEARS PVC	
	CHAINLINK FENCE	10 YEARS PVC	10 YEARS PVC	10 YEARS PVC	10 YEARS PVC	10 YEARS PVC	
MESH ROLL FENCING	AXIAL®	10 YEARS PVC	10 YEARS PVC	10 YEARS PVC	10 YEARS PVC	10 YEARS PVC	
	BASTILLE®	10 YEARS PVC	10 YEARS PVC	10 YEARS PVC	10 YEARS PVC	10 YEARS PVC	
RIGID PANEL FENCING	ARISTA	5 YEARS POLYESTER	5 YEARS POLYESTER	5 YEARS POLYESTER			
	AXOR®, AXIS® or AXYLE®	10 YEARS POLYESTER	10 YEARS POLYESTER	10 YEARS POLYESTER	10 YEARS PROTECT+	10 YEARS PROTECT+	5 YEARS PROTECT+
POSTS & ACCESSORIES	Fluidised TENSION WIRE	10 YEARS PVC	10 YEARS PVC	10 YEARS PVC	10 YEARS PVC	10 YEARS PVC	
	UNIVERS Plastic-Coated, REX	10 YEARS POLYESTER	10 YEARS POLYESTER	10 YEARS POLYESTER			
	AXOR®, AXIS® or AXYLE®	10 YEARS POLYESTER	10 YEARS POLYESTER	10 YEARS POLYESTER	10 YEARS PROTECT+	10 YEARS PROTECT+	5 YEARS PROTECT+
RAILINGS	ELIXIR®	10 YEARS POLYESTER	10 YEARS POLYESTER	10 YEARS POLYESTER	10 YEARS PROTECT+	10 YEARS PROTECT+	5 YEARS PROTECT+
	myMIX®	10 YEARS POLYESTER	10 YEARS POLYESTER	10 YEARS POLYESTER	10 YEARS PROTECT+	10 YEARS PROTECT+	5 YEARS PROTECT+
	EXALT®	10 YEARS POLYESTER	10 YEARS POLYESTER	10 YEARS POLYESTER	10 YEARS PROTECT+	10 YEARS PROTECT+	5 YEARS PROTECT+
	myMIX® & EXALT® Guardrail	10 YEARS POLYESTER	10 YEARS POLYESTER	10 YEARS POLYESTER	10 YEARS PROTECT+	10 YEARS PROTECT+	5 YEARS PROTECT+
	LEXIE® Decorative Sheet Metal	10 YEARS POLYESTER	10 YEARS POLYESTER	10 YEARS POLYESTER			
MODULAR FENCES & WALLS	LOOKX®	10 YEARS POLYESTER	10 YEARS POLYESTER	10 YEARS POLYESTER			
	Sports Ground Fence	10 YEARS POLYESTER	10 YEARS POLYESTER	10 YEARS POLYESTER			
SPORTS FENCES	FLUIDEX® TENNIS	10 YEARS PVC	10 YEARS PVC	10 YEARS PVC	10 YEARS PVC	10 YEARS PVC	
	AXISTADE®	10 YEARS POLYESTER	10 YEARS POLYESTER	10 YEARS POLYESTER			
GATES & SWING GATES	ELIXIUM®	15 YEARS ALUMINIUM	15 YEARS ALUMINIUM	15 YEARS ALUMINIUM	15 YEARS ALUMINIUM	15 YEARS ALUMINIUM	15 YEARS ALUMINIUM
	AXOR® ALLIX®*	10 YEARS POLYESTER	10 YEARS POLYESTER	10 YEARS POLYESTER	10 YEARS PROTECT+	10 YEARS PROTECT+	5 YEARS PROTECT+
	ESPACE	5 YEARS POLYESTER	5 YEARS POLYESTER	5 YEARS POLYESTER			
	AXYLE®	10 YEARS POLYESTER	10 YEARS POLYESTER	10 YEARS POLYESTER	10 YEARS PROTECT+	10 YEARS PROTECT+	5 YEARS PROTECT+

More technical info at www.dirickx.fr

* ALLIX® gates and swing gates are available in the post-manufacture galvanised finish. They are covered by an all-category 10-year anti-corrosion guarantee.

MAINTAINING PRODUCTS

DIRICKX RECOMMENDS REGULAR MAINTENANCE OF ITS PRODUCTS

- **Frequency:** all surfaces require 6-monthly maintenance. Coated surfaces that are exposed to dust, mud, sand or salt require meticulous cleaning.
- **Cleaning:** this involves washing with water and a mild detergent (pH 5 to 8) followed by careful rinsing with clean water and drying. The use of an abrasive cleaner is prohibited.

ANTI-CORROSION GUARANTEE CONDITIONS

The anti-corrosion guarantee automatically applies to properly installed DIRICKX products with effect from the delivery date. It applies to the initial installation site.

The guarantee is conditional on compliance with DIRICKX care recommendations and takes account of tolerances in terms of category and degree of corrosion. Accessories are not guaranteed.

The guarantee is applied based on the following time-based scale:

COVERAGE RATE – 5-YEAR GUARANTEE		COVERAGE RATE – 10-YEAR GUARANTEE	
1 st year	100% of the product price	1 st year	100% of the product price
2 nd year	75% of the product price	2 nd year	100% of the product price
3 rd year	50% of the product price	3 rd year	90% of the product price
4 th year	30% of the product price	4 th year	80% of the product price
5 th year	20% of the product price	5 th year	70% of the product price
		6 th year	60% of the product price
		7 th year	50% of the product price
		8 th year	40% of the product price
		9 th year	30% of the product price
		10 th year	20% of the product price

The term "product price" denotes the purchase price shown on the DIRICKX invoice.

WARRANTY OF FITNESS FOR PRODUCTS REQUIRING COMMISSIONING

Maintenance is subject to the following legal obligation: Required to conduct inspections of the safety and structural soundness of the entire installation at least once every 6 months (*articles R4224-12, R4224-13 of the French Labour Law and article 9 of order no. TEFT9301288 A of 21 December 1993*).

This means that if you fail to keep a record of these inspections, you could be held liable in the event of personal injury to a third party or an employee.

DIRICKX grants a 2-year warranty of fitness that is activated upon the actual commissioning of the product or within a maximum of 2 years of delivery of the product.

The 2-year warranty on the automated system is activated only after signing the maintenance contract, which must be drawn up as soon as the motorised gate and/or point of access is commissioned.

The warranty for DIRICKX gates and points of access covers the entire motorised system for a duration of 2 years should it break down or malfunction, with the exception of:

- Parts subject to wear: rollers, track wheels, pinions, racks, receivers/transmitters;
- Parts damaged by accident or by vandalism.

DIRICKX offers commissioning and installation services as well as maintenance and servicing agreements. Contact DIRICKX SERVICES, a subsidiary of the DIRICKX GROUP.



STANDARDS & REGULATIONS

The DIRICKX quality policy is based on compliance with the standards in force.
All our products are tested prior to marketing and undergo comprehensive quality testing.

FINISHED PRODUCTS

The following standards define products in terms of geometric features, tolerance, materials, etc.

EN 10223-1

Steel barbed wire (such as RONCE PROTECTO®, STRONGO® PLAZIAL, etc.).

EN 10223-2/3

Hexagonal steel wire mesh fencing (TTX).

EN 10223-4

Welded steel fencing (AXIAL®, BASTILLE®, etc.).

EN 10223-5

Knotted steel fencing for livestock (AGRICLOS®).

EN 10223-6

Chainlink fence (FLUIDEX®, GALVEX®, PLASTEX®, etc.).

EN 10223-7

Welded steel panels (AXIS®, AXOR®, AXYLE®).

WIRE GALVANISATION

The metallic (zinc-based) coating of the steel wires contributes to the durability of the mesh: the zinc's positive electrical charge is a key factor in preventing corrosion.

French standard **NF A 91-131** was replaced by European standard **EN 10244-2** (October 2001).

DIRICKX refers to European standard **EN 10 244-2**.

PLASTIC COATING

The quality of the coating determines product service life. For several years, DIRICKX has undertaken to meet the applicable plastic coating standards:

- **NF EN 10245-2** relating to PVC coating defines mass and quality requirements for mesh roll fencing such as chainlink and boundary fencing.
- **EN 13438** specifies requirements for polyester coatings and applies to products such as AXOR®, AXIS®, AXYLE® panels, AXIS®, AXOR®, AXYLE® and UNIVERS posts, and railings.

ISO 9001 CERTIFIED

DIRICKX is certified to ISO 9001-version 2015.



GATES

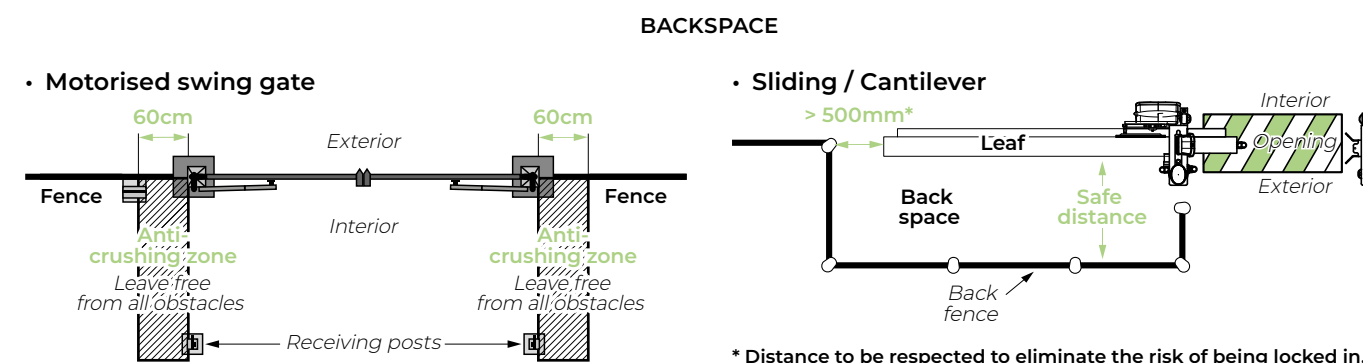
European standard **NF EN 13241-2** applies to manually operated and motorised doors, gates and barriers designed to be installed in areas that are accessible to people, and its purpose is to secure access to industrial and business premises or garages in residential areas.

It does not apply to:

- manual gates with a surface area of < 6.25m² for use by people,
- motorised gates with a width of < 2.50m and a surface area of < 6.25m² essentially designed for pedestrians,
- barriers intended solely for vehicles.

The installer must protect access to the backspace of the gate under standard **NF EN 12635** by eliminating all risks of crushing, shearing and dragging. The fence must therefore be installed a safe distance away from the moving leaf.

This safety distance accounts for exposed body parts as specified in standard **NF EN 13857**.



GUARDRAILS

DIRICKX EXALT® and myMIX® guardrails comply with the NF P01-012 standard for guardrails.

PLAYGROUND FENCES

DIRICKX's railings and rigid panels (spikes pointing downward) and AXOR®, ESPACE, ALLIX® gates comply with standard NF EN 1176-1 for playgrounds.

RECOMMENDATIONS FOR INSTALLING FENCES

For all fences installed at establishments open to the public and fences above ground ≤ 1.80m, we recommend installation with spikes or overstanding bars pointing downwards. A similar recommendation was issued by the DGCCRF (General Directorate for Competition Policy, Consumer Affairs and Fraud Control) and the CSC (Consumer Safety Commission).

RECOMMENDATIONS FOR INSTALLING DIRICKX LIXO® PRIVACY FENCING

Certain installation recommendations must be observed for privacy systems depending on the geographical area in which they are installed, the height of the fence on which they are mounted, and the post model used.

Below are our installation recommendations for privacy systems installed on DIRICKX rigid panel fencing based on the results of wind tunnel tests performed by an independent body and on calculations performed by the DIRICKX design office.

Based on the centre distance and height of your fence, please refer to the recommended post model (embedded or base-plated) and installation type on page 107.



Dirickx is the only manufacturer to offer a 10-year guarantee* on its AXYLE® post solutions, panels and related privacy fencing systems, which provide privacy fences up to 2m high depending on the region and terrain category.

WHAT DOES THE GUARANTEE COVER?

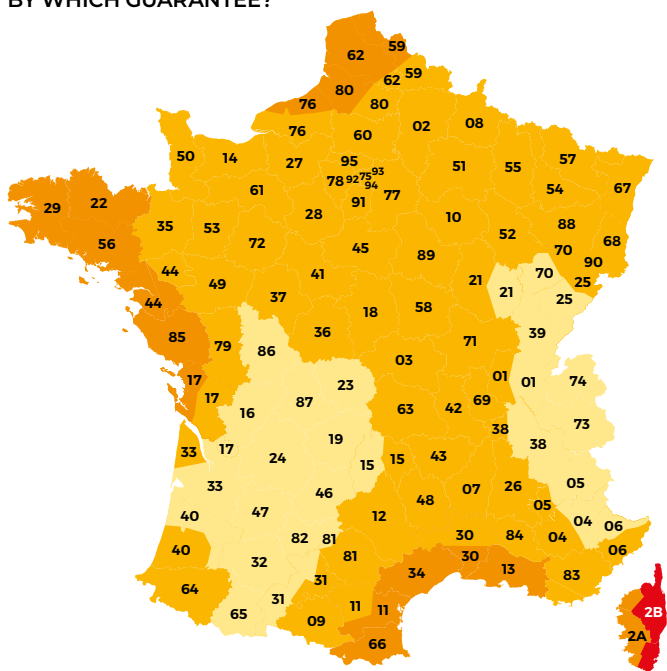
The performance of our AXYLE® post, panel and associated privacy system solutions.

WHAT?

Degradation of our AXYLE® posts, panels and associated privacy fencing systems.

WHAT CONFIGURATIONS ARE COVERED

BY WHICH GUARANTEE?



Division of regions based on the Eurocodes

FOR HOW LONG?

Up to 10 years counting the date of installation and depending on location*.

UNDER WHAT CONDITIONS?

Must be in compliance with the installation and maintenance recommendations (details in the DIRICKX guarantee booklet).

* Subject to the terms of use laid out in the ad hoc document published by Dirickx (available upon request and downloadable from the following link: <http://www.dirickx.fr/medias/document-ad-oc-garanties.pdf>).

REGIONS	1	2	3	4
---------	---	---	---	---

TERRAIN CATEGORY	
0	Sea or coastal areas exposed to offshore winds; lakes and bodies of water where the wind blows over a distance of at least 5km
II	Open rural areas with or without a few individual obstacles (e.g. trees, buildings, etc.) that are separated by distances of more than 40 times their height
IIIA	Sparsely populated rural areas with hedges, vineyards and bocage
IIIB	Industrial or urban areas; dense bocage; orchards
IV	Urban areas where at least 15% of the surface is covered by buildings with an average height of more than 15m; forests

Terrain categories from the National Annex to the Eurocode, NF-EN 1991-1-4 / NA

GUARANTEES FOR CONFIGURATIONS BASED ON ENVIRONMENTS AND TERRAIN CATEGORIES

	CATEGORY 0	CATEGORY II	CATEGORY IIIA	CATEGORY IIIB	CATEGORY IV
Region 1	 Environment 2	 Environment 2	 Environment 2	 Environment 2	 Environment 2
Region 2	 Environment 2	 Environment 2	 Environment 2	 Environment 2	 Environment 2
Region 3	 Environment 2	 Environment 2	 Environment 2	 Environment 2	 Environment 2
Region 4 + Overseas France		 Environment 3-4	 Environment 3-4	 Environment 3-4	 Environment 3-4

More technical info at www.dirickx.fr



AXYLE® post



AXYLE® post + reinforcement - environment 2
AXYLE® post + reinforcement - environment 3-4

How to read the table

If you are in region 2 terrain category II, use the AXYLE® post on its own (according to the installation recommendations defined in the DIRICKX guarantee booklet).



Premium French fencing solutions

Le Bas Rocher – 53800 Congrier – FRANCE
Tel.: +33 (0)2 43 09 38 38 – Fax: +33 (0)2 43 09 38 99

www.dirickx.fr